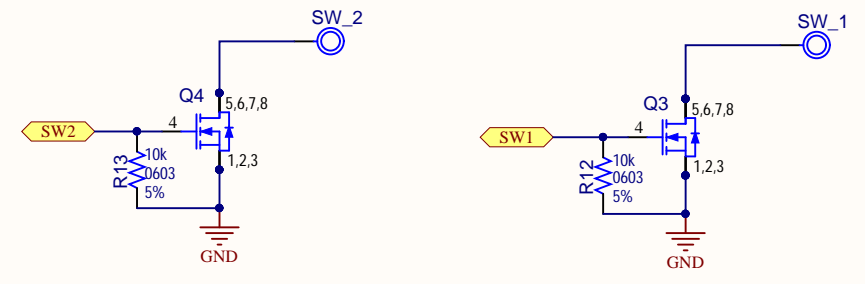
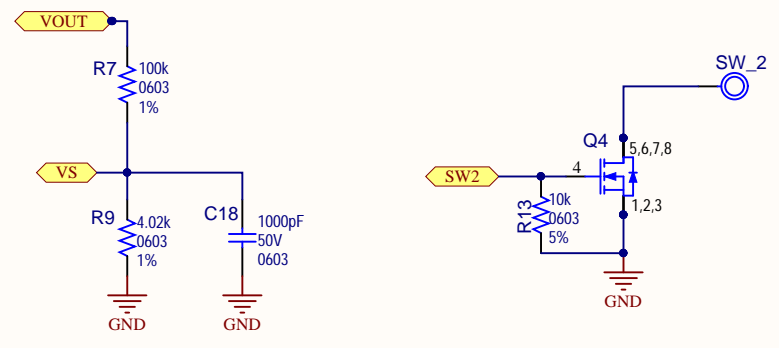
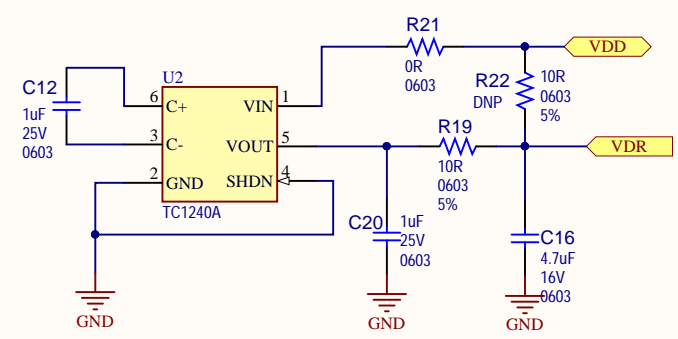
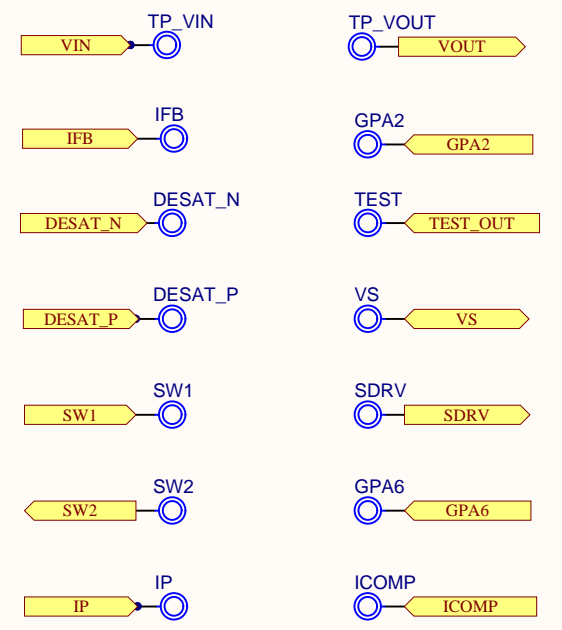
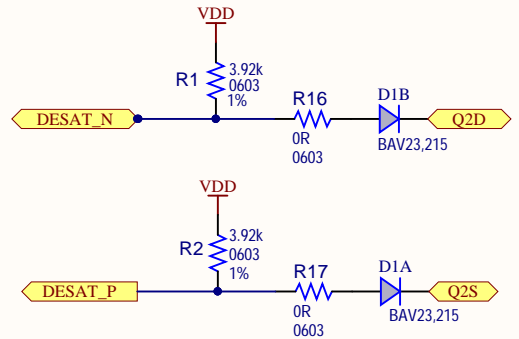
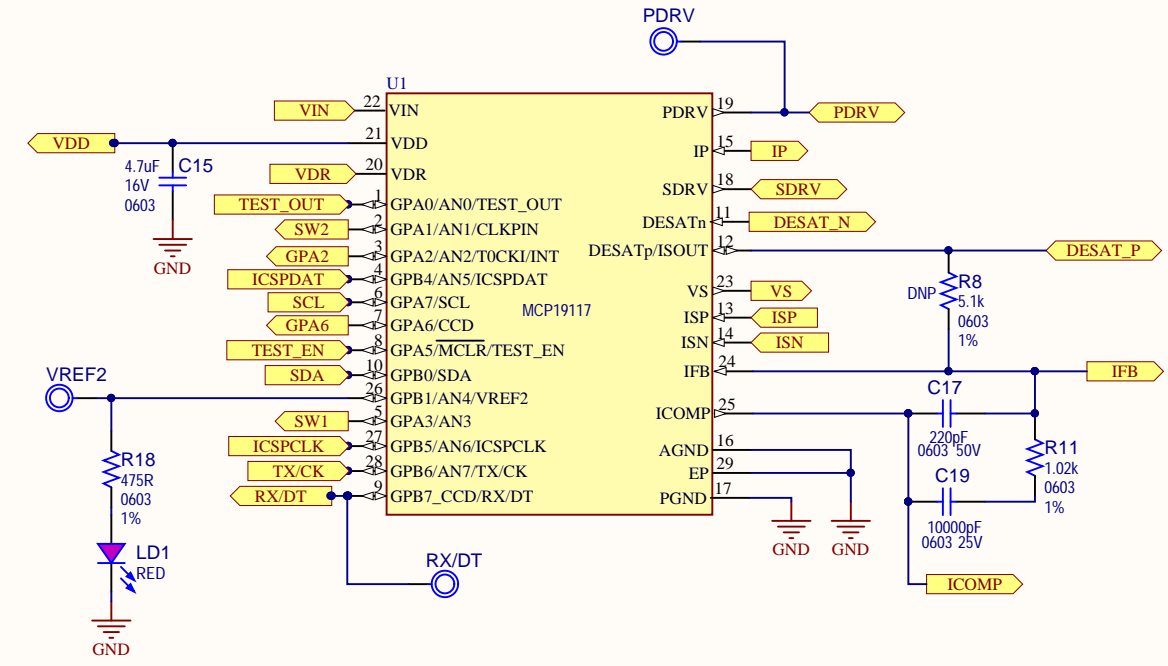
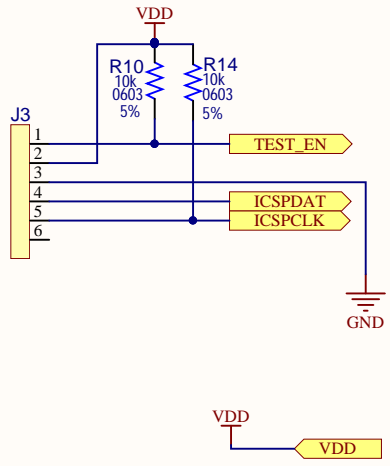
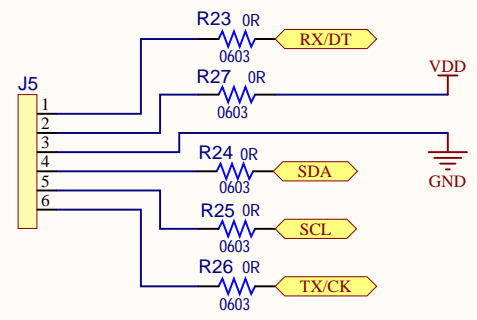
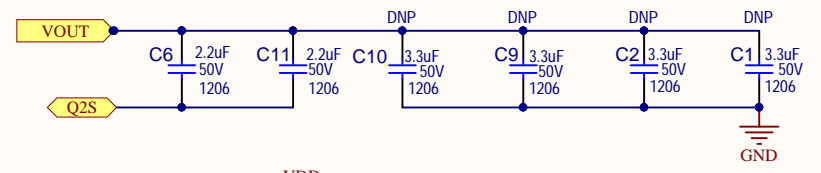
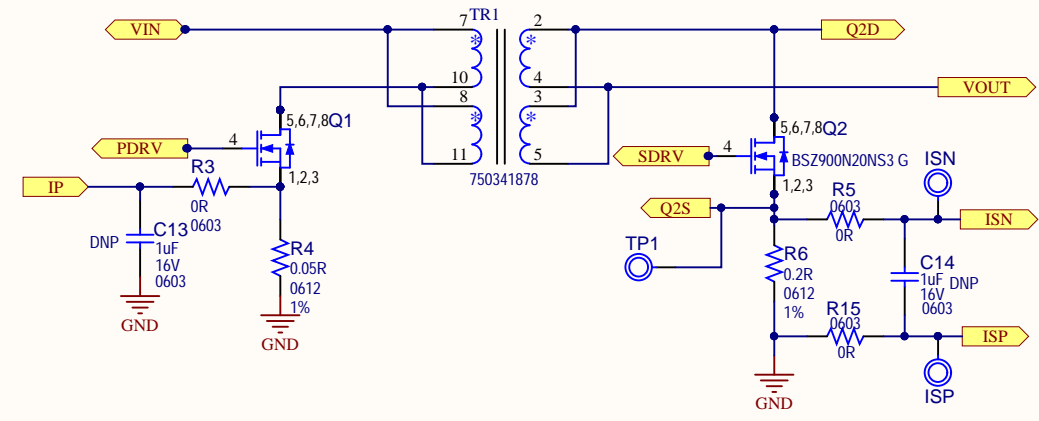
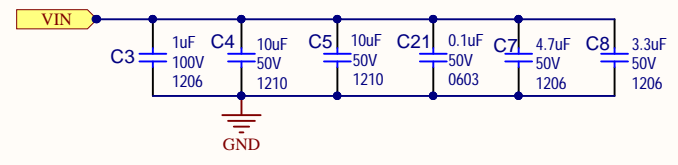


REV	ECO#	DESCRIPTION	DATE



Drawn By: Yiwei Xiong	
Engineer: Yiwei Xiong	
PartNumber: ADM00663	Project Title MCP19117 Standalone Evaluation Board
Sheet Title MCP19117 Standalone Evaluation Board	Designed with
Size B	Sch #03-10403 Date: 2/22/2016 6:20:56 PM
Revision:1	Sheet 1 of 2
File: MCP19117 Standalone Flyback MCL_ALLGND.SchDoc	

Need Help?
<http://support.microchip.com>

Assy# Serial #

LABEL1

PAD1



Rubber Pad Cyl D7.9H5.3

PAD2



Rubber Pad Cyl D7.9H5.3

PAD3





Rubber Pad Cyl D7.9H5.3

PAD4



Rubber Pad Cyl D7.9H5.3

Drawn By: Yiwei Xiong		
Engineer: Yiwei Xiong		
PartNumber: ADM00663		Project Title MCP19117 Standalone Evaluation Board
Sheet Title Mechanical		Designed with 
Size B	Sch #03-10403 Revision:1	Date: 2/22/2016 6:20:57 PM Sheet 2 of 2
File: mechanical.SchDoc		