



SNUBBER SERIES

Surge Protection for Gauges & Transducers



The ACI Snubber Series should be used to protect pressure gages, transducers and other control instruments by reducing flow and dampening shock due to water hammer and other fluctuating pressure effects. The porous filter design is suitable for use with air, gases, and other low viscosity fluids that are compatible with 316 Series Stainless Steel. When installing the snubber, make sure to install the snubber such that the fluid or air/gas flow is only applied to the snubber in the direction of the arrow.

Applications: Fire, Centrifugal, Reciprocating and Boiler Feed Pumps, Compressors, Chillers, Pressure Switches, Hydraulic Presses, Hydraulic Systems, Waste Water, Fluid Power Systems, Orifice Meters, Manifolds, Petro Chemical Industry

The Snubber Series is covered by ACI's Two (2) Year Limited Warranty. The warranty can be found in the front of ACI's Sensors & Transmitters catalog, as well as on ACI's website, www.workaci.com.

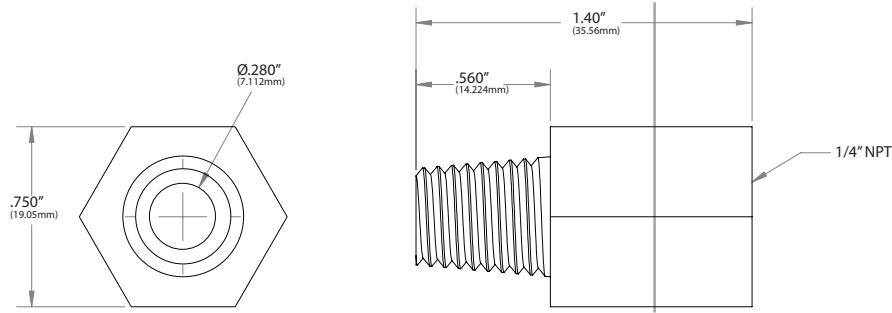
PRODUCT SPECIFICATIONS

Material Type:	316 Stainless Steel
Male / Female Thread:	1/4" NPT
Filter Size:	Air / Gases: 7 Microns Water / Fluids: 20 Microns
Maximum Temperature:	1000°F (537°C)
Maximum Pressure:	5000 PSI (344 Bar)
Overall Length:	1.376"
Hex Length:	0.812"
Hex Size:	3/4"





DIMENSIONAL DRAWING



Standard View

STANDARD ORDERING

Model # Example: **A/0.25" SNUB A/G -OR- 137105**

Model #	Item #	Product Description
A/0.25" SNUBBER A/G	137105	Air / Gas Snubber
A/0.25" SNUBBER WTR	137104	Water / Fluid Snubber

