

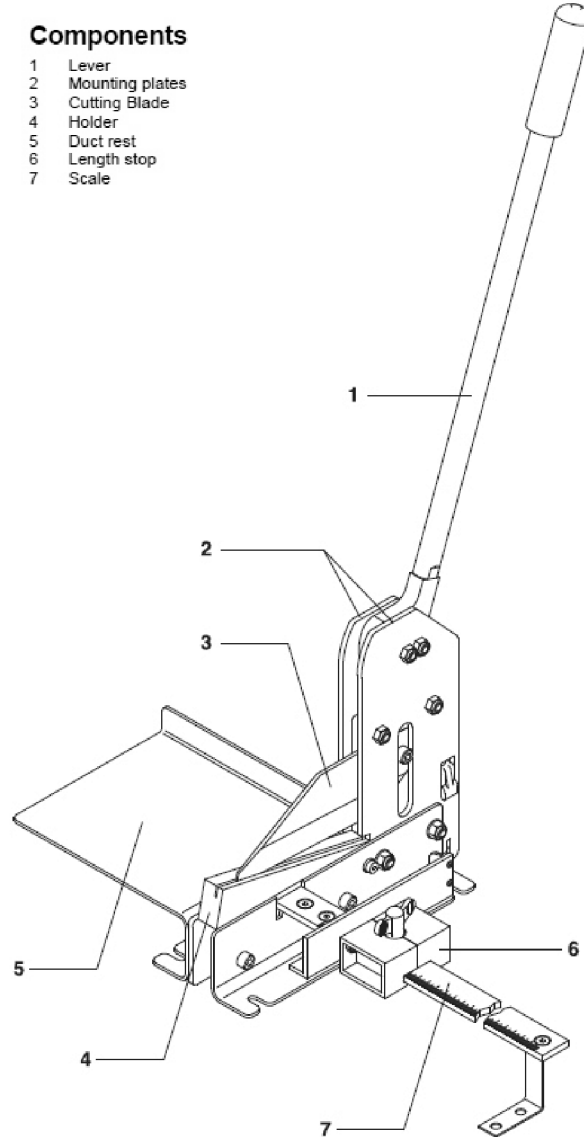
SW2014



Revision level			Revision Record	Changed	Date	Approved	Date
Drawing	State	Part					
00.0	Design Release		SEE ECN# 013695	GRW	1/26/2016	KAC	1/26/2016

Components

- 1 Lever
- 2 Mounting plates
- 3 Cutting Blade
- 4 Holder
- 5 Duct rest
- 6 Length stop
- 7 Scale



Material
ASSEMBLED

Units: **inches**
 Dimension without tolerances details to:
 .xxxx = ±.0005
 .xxx = ±.005
 .xx = ±.01
 .x = ±.03
 None = ±.06
 ∠ = ±0.5°
 Dimension Formatted in [mm]

The copyright of this drawing is reserved by HellermannTyton. It is issued on condition that it is not reproduced, copied, or disclosed to a third party, either wholly or in part, without the consent of HellermannTyton.

Drawn	GRW	1/26/2016
Approved	KAC	1/26/2016

HellermannTyton
 North America
 Email: corp@htamericas.com
 Web: www.hellermann.tyton.com

Article/Type-No	904-00295
Title	WIRING DUCT CUTTING TOOL, BENCH MOUNT
Drawing-No	PRODUCTION : Phase 17-0427-001-CSU

Scale
 Project Number
PRP 17-0427
 Format AH
 Sheet 1/1