

Style

M12 Socket, shielded
5 pin
A-coding

Ratings

Voltage: 60 V
Current: 4A

Operating Temperature Range

-40 ~ 105 °C

Materials

- ① Insulator: Polyamide 66 (PA66), UL94 HB, black
- ② Pin: C3604 brass, gold plated
- ③ Shell: C3604 brass, nickel plated
- ④ O-ring: Nitrile rubber, black & green

Electrical Requirements

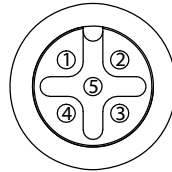
Dielectric strength: 1 min @ 500 Vac
Insulation resistance: 100 MΩ @ 500 Vdc
Contact resistance: 10 mΩ or less

Mechanical Requirements

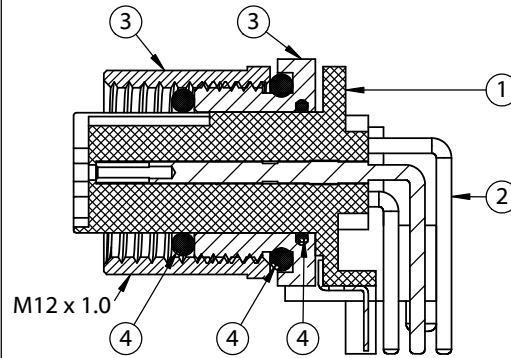
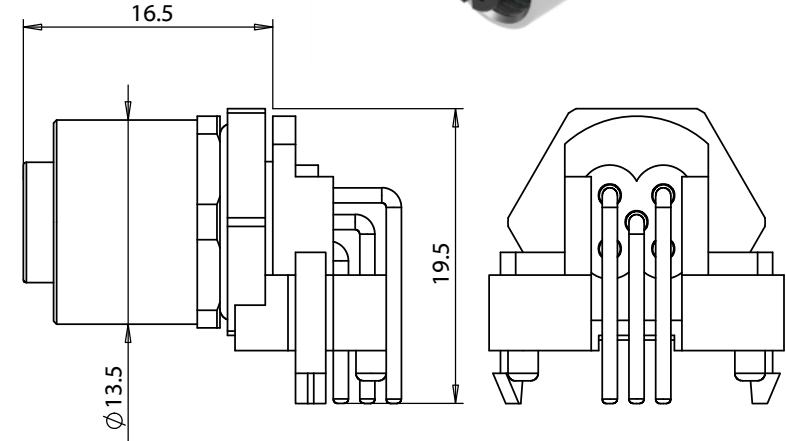
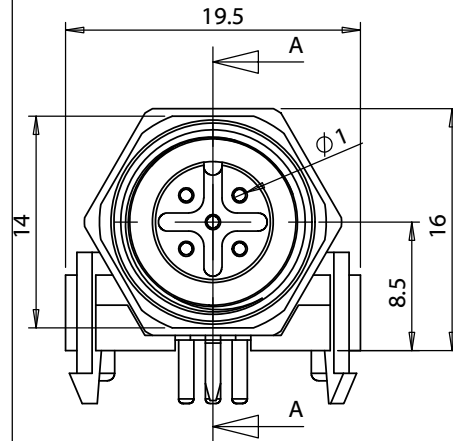
Life cycle: 500 mating cycles minimum

Environmental Requirements

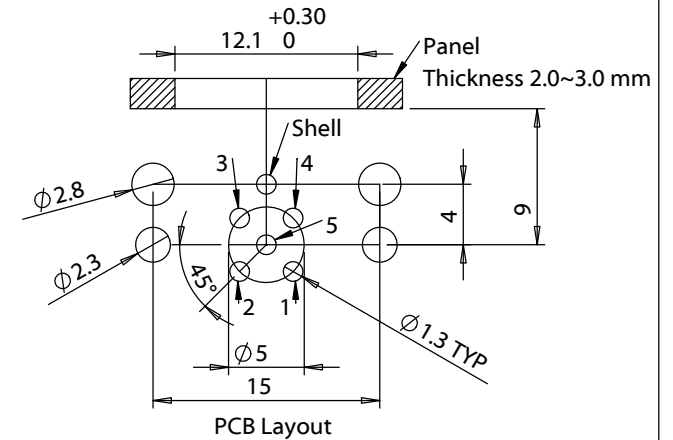
Salt spray test: 35 °C, relative humidity 90-95%, 5% NaCl mist for 48 hrs. Wash parts after test. Maintain mechanical requirements and a contact resistance of less than 10 mΩ.
Waterproof: IP67



Front View
Not to Scale



SECTION A-A



Revision:	Date:	Description:
A	9/29/2020	Initial release

Prepared:
Verified:
Dimensions are in millimeters. Tolerances: X: ± 0.5 mm X.X: ± 0.3 mm X.XX: ± 0.1 mm

Notes: RoHS compliant
Function test: no open, no short circuit, no intermittent
Description: Connector, 5 pin M12 A-code socket, 12xL25mm, gold plated, PCB mount, 90°, PCB, IP67

TENSILITY

tel 1.541.323.3228 800 877.670.7118
fax 1.541.323.4202 web tensility.com

Size: A	Part number: 54-00247
Scale: 2:1	Sheet 1 of 1