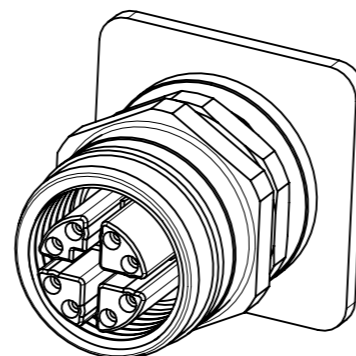


DETAIL B  
SCALE 10:1

SCALE 2:1



TECHNICAL DATA:  
M12 CAT6A RECEPTACLE BACK MOUNT PCB 360° SHIELDED.  
SUITED FOR WAVE APPLICATION.

POLES : 8  
MAX. VOLTAGE : 48V  
MAX. CURRENT : 0.5A  
CONTACT RESISTANCE : <math><5m\Omega</math>  
INSULATION WITHSTAND : >100m  $\Omega$   
PROTECTION : IP67  
TEMPERATURE RANGE : -40°C TO 85°C  
TRANSMISSION CHARACTERISTICS :  
(category) CAT6<sub>A</sub>

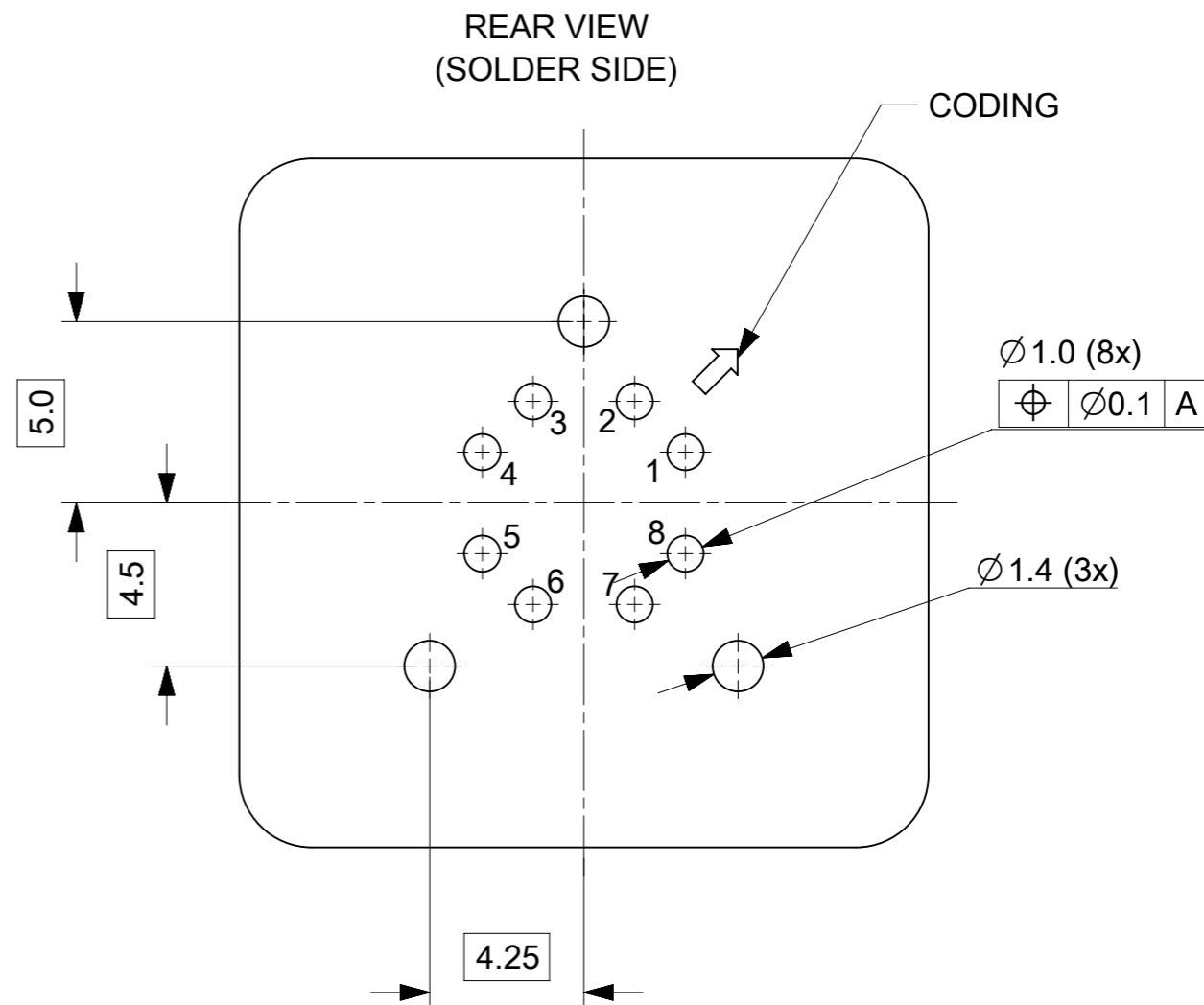
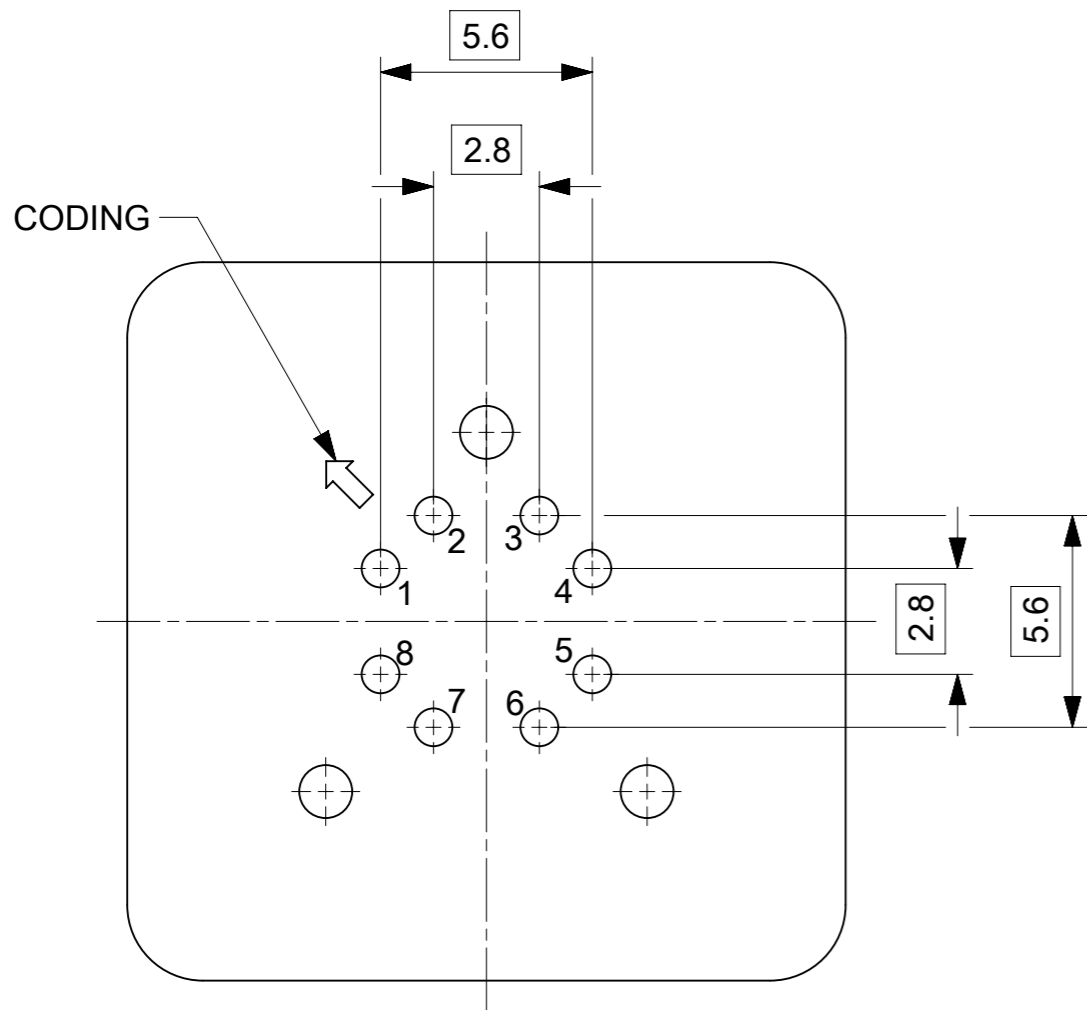
FOR PRODUCT SPECIFICATION SEE : PS-120341-001

PACKAGING:  
THE RECEPTACLE AND HOUSING ARE DELIVERED IN BLISTER  
PACKS A 25 PARTS.  
8 BLISTER PACKAGES PER CARTON.  
ALL TOGETHER 200 PARTS.  
THE O-RINGS AND LOCK NUT ARE DELIVERED SEPARATE IN  
PLASTIC BAGS BUT IN SAME CARTON.

BOM

ITEM	QTY	DESCRIPTION	MATERIAL	FINISH
8	1	LOCK NUT	BRASS	Ni-PLATED
7	1	O-RING 10.3x1.2	EPDM	BLACK
6	1	O-RING 7.0x1.35	FPM	RED
5	1	HOUSING	BRASS	Ni-PLATED
4	8	CONTACT	BRASS	GOLD OVER Ni
3	1	SPRING	SS	-
2	1	SCHIELDING CROSS	BRASS	Ni-PLATED
1	1	INSERT	PA	BLACK

FUNCTIONAL SYMBOLS ▽A = 0 ▽E = 0 ▽F = 0	THIS DRAWING CONTAINS INFORMATION THAT IS PROPRIETARY TO MOLEX ELECTRONIC TECHNOLOGIES, LLC AND SHOULD NOT BE USED WITHOUT WRITTEN PERMISSION	CURRENT REV DESC: DIMENSIONS ADDED		<b>molex</b>		
	DIMENSION UNITS: mm	SCALE: 5:1	GENERAL TOLERANCES (UNLESS SPECIFIED)			
DIVISIONAL SYMBOLS	ANGULAR TOL ± 1.0°	4 PLACES ±	3 PLACES ±	2 PLACES ± 0.05	1 PLACE ± 0.3	0 PLACES ±
	DRAFT WHERE APPLICABLE MUST REMAIN WITHIN DIMENSIONS	THIRD ANGLE PROJECTION	DRAWING: A3-SIZE	SERIES: 120341	MATERIAL NUMBER: 1203410075	CUSTOMER: GENERAL MARKET
EC NO: 698856		DRWN: RSCHEIBER	2022/03/09	M12 CAT6A REC ASSY FRONT MOUNT		
CHK'D: RSILLER		2022/03/09	PRODUCT CUSTOMER DRAWING			
APPR: RSILLER		2022/03/09	DOCUMENT NUMBER: 1203410075			
INITIAL REVISION:		DRWN: MDHARMANTI		2021/03/03	DOC TYPE: PSD	DOC PART: 000
APPR: RSILLER		2021/05/18		REVISION: A		



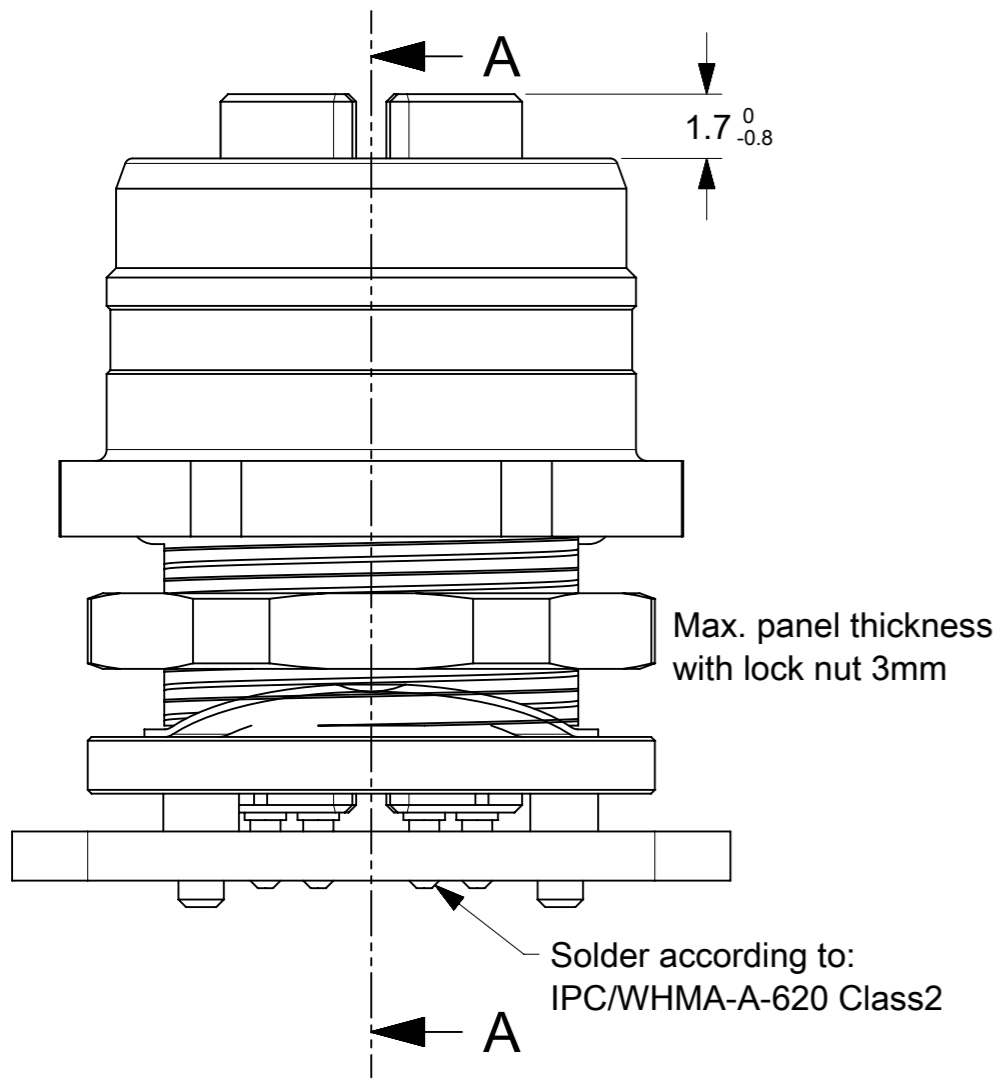
CABLE COLOR CODE AND POSITION ON RECEPTACLE :

- 1. WHITE-ORANGE
- 2. ORANGE
- 3. WHITE-GREEN
- 4. GREEN
- 5. WHITE-BROWN
- 6. BROWN
- 7. WHITE-BLUE
- 8. BLUE

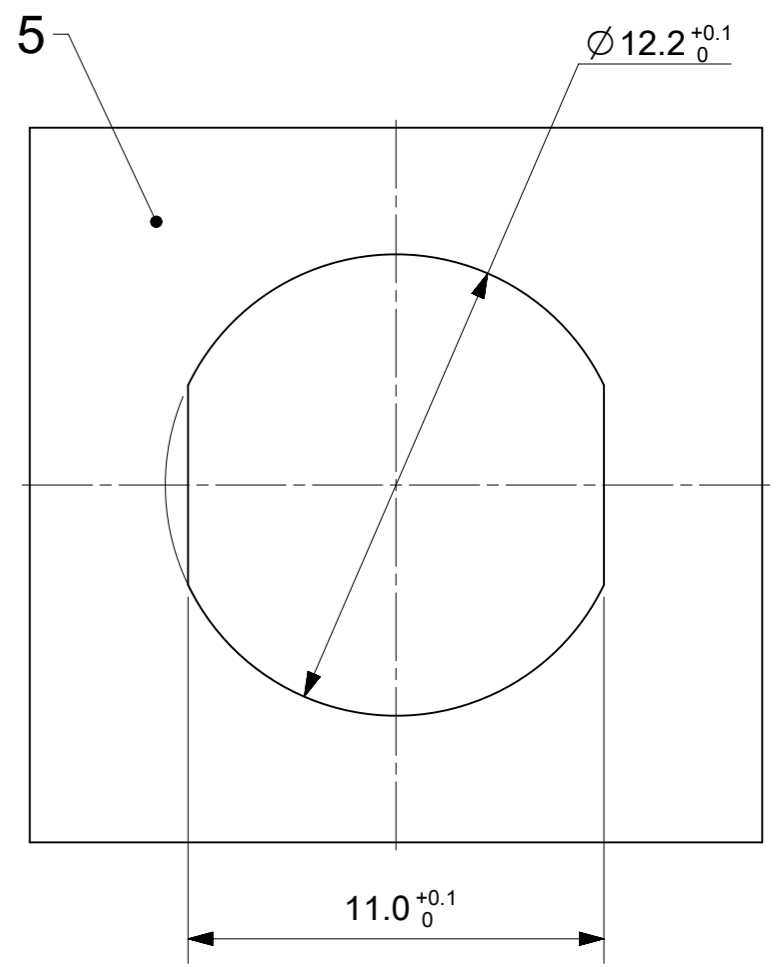
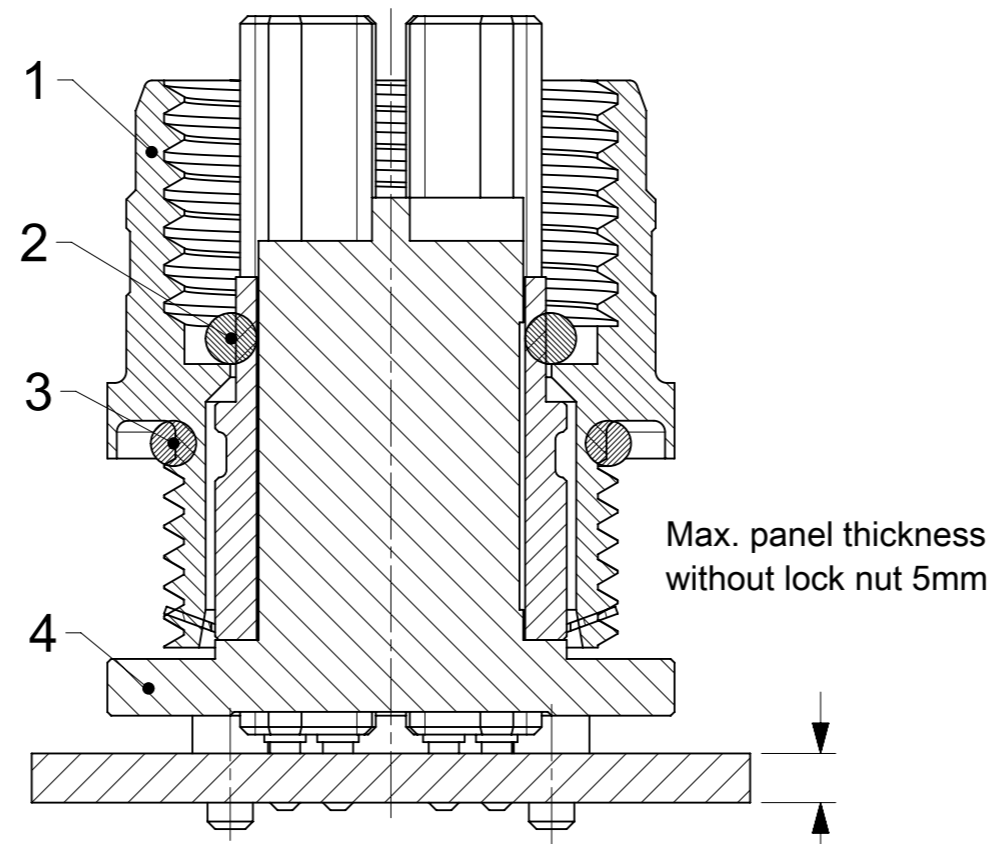
PCB PINOUT

FUNCTIONAL SYMBOLS	THIS DRAWING CONTAINS INFORMATION THAT IS PROPRIETARY TO MOLEX ELECTRONIC TECHNOLOGIES, LLC AND SHOULD NOT BE USED WITHOUT WRITTEN PERMISSION		CURRENT REV DESC: DIMENSIONS ADDED			<b>molex</b>				
	DIMENSION UNITS	SCALE								
$\nabla_A = 0$	mm	5:1	GENERAL TOLERANCES (UNLESS SPECIFIED)			M12 CAT6A REC ASSY FRONT MOUNT				
$\nabla_B = 0$	ANGULAR TOL ± 1.0°									
$\nabla_C = 0$	4 PLACES ±		EC NO: 698856 DRWN: RSCHIEBER 2022/03/09 CHK'D: RSILLER 2022/03/09 APPR: RSILLER 2022/03/09			PRODUCT CUSTOMER DRAWING				
DIVISIONAL SYMBOLS	3 PLACES ±									
	2 PLACES ± 0.05		INITIAL REVISION: DRWN: MDHARMANTI 2021/03/03 APPR: RSILLER 2021/05/18			DOCUMENT NUMBER		DOC TYPE	DOC PART	REVISION
	1 PLACE ± 0.3					1203410075		PSD	000	A
	0 PLACES ±		DRAFT WHERE APPLICABLE MUST REMAIN WITHIN DIMENSIONS		THIRD ANGLE PROJECTION	DRAWING	SERIES	MATERIAL NUMBER	CUSTOMER	SHEET NUMBER
						A3-SIZE	120341		GENERAL MARKET	2 OF 3

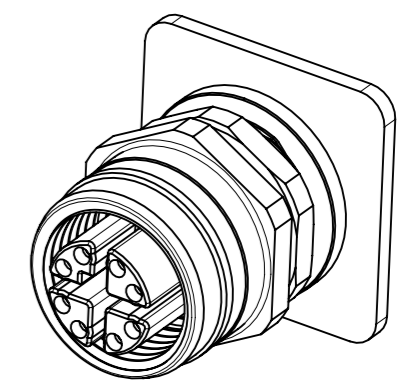
VIEW WITH LOCK NUT



VIEW WITHOUT LOCK NUT



- Pos. Description :
1. Receptacle housing shell
  2. O-ring 7.1x1.35mm
  3. O-ring 10.2x1.2mm
  4. Receptacle
  5. Cutout



SCALE 2:1

ASSEMBLY OF THE RECEPTACLE:

1. The receptacle (4) is soldered to PCB (wave or reflow possible)  
The grounding can be over the ground pins of her receptacle and, if needed, over the midpoint of the shielding cross.
2. The o-ring (2) is pushed over the receptacle housing shell (1)
3. The metal shell(1) is fastened in the housing per screwing in or locknut.
4. The PCB with receptacles is mounted from the back side into the housing(1).
5. The o-ring (3) is applied from the front to the bottom of the thread.

FUNCTIONAL SYMBOLS	THIS DRAWING CONTAINS INFORMATION THAT IS PROPRIETARY TO MOLEX ELECTRONIC TECHNOLOGIES, LLC AND SHOULD NOT BE USED WITHOUT WRITTEN PERMISSION		CURRENT REV DESC: DIMENSIONS ADDED		<b>molex</b>
	DRWN: RSCHIEBER	2022/03/09			
DRWN: MDHARMANTI	2021/03/03			M12 CAT6A REC ASSY FRONT MOUNT	
APPR: RSILLER	2021/05/18			PRODUCT CUSTOMER DRAWING	
EC NO: 698856		DOCUMENT NUMBER	DOC TYPE	DOC PART	REVISION
DRWN: RSCHIEBER	2022/03/09	1203410075	PSD	000	A
APPR: RSILLER	2022/03/09	MATERIAL NUMBER		CUSTOMER	
INITIAL REVISION:		SERIES		SHEET NUMBER	
DRWN: MDHARMANTI	2021/03/03	A3-SIZE		3 OF 3	
APPR: RSILLER	2021/05/18	120341		GENERAL MARKET	
DRAFT WHERE APPLICABLE MUST REMAIN WITHIN DIMENSIONS	THIRD ANGLE PROJECTION	DRAWING	SERIES	MATERIAL NUMBER	CUSTOMER
		A3-SIZE	120341	120341	GENERAL MARKET