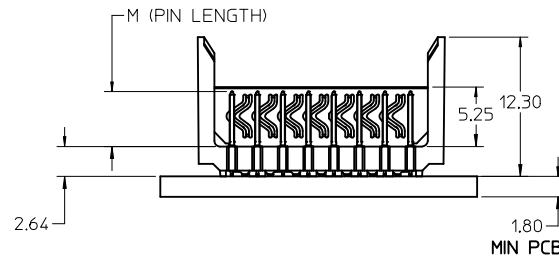
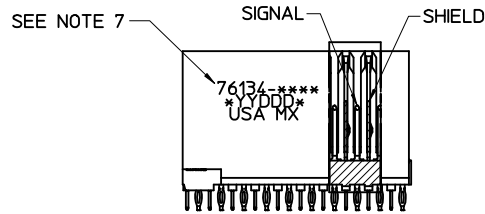
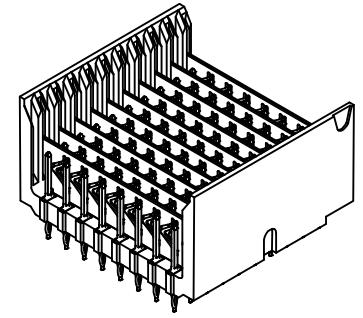


OUTER ROWS OF SHIELD THRU HOLES WILL NOT BE POPULATED

ROW A

ROW H



NOTES:

1. MATERIALS:  
HOUSING - LIQUID CRYSTAL POLYMER (LCP)  
GLASS FILLED, UL94V-0, BLACK  
SIGNAL PIN AND SHIELD - COPPER ALLOY
2. FINISHES:  
CONTACT AREA - SELECTIVE GOLD (Au)  
PCB TAILS - SELECTIVE MATTE TIN (Sn)
3. THIS PART CONFORMS TO MOLEX PRODUCT SPECIFICATION PS-74031-999.
4. FOR MIXED CONTACT LENGTH CONTACT MOLEX FOR AVAILABILITY.
5. FOR SPECIFIC MATERIAL NUMBERS AND MATING INFORMATION REFER TO SHEET 2.
6. PACKAGE PER PK-74060-003.
7. ASSEMBLY WILL BE MARKED WITH P/N AND DATE CODE WITH LASER MARK ON SIDE OF HOUSING OR BY LABEL ON THE TUBE.
8. MAPS (MOLEX ADVANCED PLATING SYSTEM).

UPDATE TABLE EC NO: UCP2014-3396 DRWNSVANG01 2014/02/14 CHKD:MMOLFE 2014/02/14 APPR:SMILLER 2014/02/25	QUALITY SYMBOLS 	GENERAL TOLERANCES (UNLESS SPECIFIED)		DIMENSION STYLE <b>MM ONLY</b>	SCALE <b>5:1</b>	DESIGN UNITS <b>METRIC</b>	THIRD ANGLE PROJECTION
		4 PLACES ± --- ± --- 3 PLACES ± --- ± --- 2 PLACES ± 0.25 ± --- 1 PLACE ± 0.38 ± --- 0 PLACE ± --- ± ---	mm INCH	DRAWN BY JJONIAK CHECKED BY BINGHAM APPROVED BY BINGHAM	DATE 2008/04/11 DATE 2008/04/11 DATE 2008/04/11	TITLE <b>VHDM H-SERIES 8 ROW          OPEN END BACKPLANE          SALES DRAWING</b> 	DOCUMENT NO. <b>SD-76134-001</b>
DRAFT WHERE APPLICABLE MUST REMAIN WITHIN DIMENSIONS		ANGULAR ±1/2°		<b>SEE SHEET 2</b>		THIS DRAWING CONTAINS INFORMATION THAT IS PROPRIETARY TO MOLEX INCORPORATED AND SHOULD NOT BE USED WITHOUT WRITTEN PERMISSION	

# MATERIAL NUMBER ASSIGNMENT

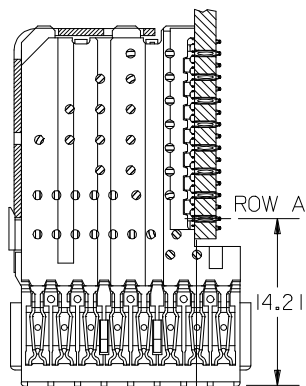
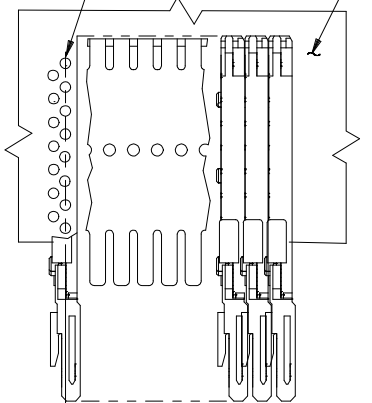
76134-\*\*\*0\*

PIN HEIGHT / PLATING  
 1-4 = 0.25 or 0.76 GOLD  
 6-9 = 1.27 GOLD

NUMBER OF COLUMNS/PLATING  
 10 = 10 COLUMN MATTE TIN (FORMERLY TIN/LEAD)  
 25 = 25 COLUMN MATTE TIN (FORMERLY TIN/LEAD)  
 60 = 10 COLUMN MATTE TIN (MAPS)  
 75 = 25 COLUMN MATTE TIN (MAPS)  
 90 = 10 COLUMN MATTE TIN  
 85 = 25 COLUMN MATTE TIN

1 & 6 = 4.75  
 2 & 7 = 6.25  
 3 & 8 = 4.25  
 4 & 9 = 5.15

SIGNAL COLUMN  
 DAUGHTERCARD CONNECTOR SIDE



0.41 OFFSET  
 SIGNAL TO SIGNAL

2.45  
 TOP OF DAUGHTERCARD PCB  
 TO  $\phi$  OF ROW A

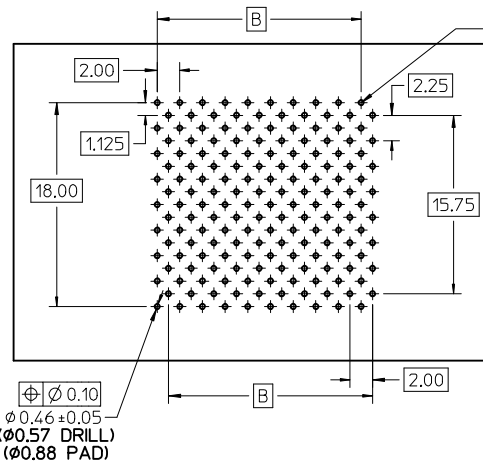
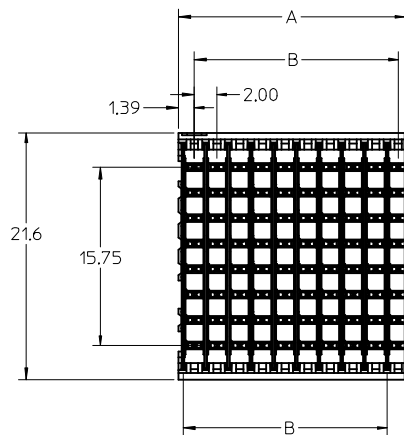
ROW A  
 14.21

SHIELD  
 SIGNAL

ROW A

PART NUMBER	COLUMN	NUMBER OF SIGNAL PIN	NUMBER OF SHIELD	A	B	M	GOLD THICKNESS MICROMETER	TIN THICKNESS MICROMETER
<b>76134-6001</b>	10	80	10	20.00	18.00	4.75	0.25 MAPS	0.76-1.52
76134-*001							0.76	
76134-*006							1.27	
<b>76134-7501</b>							0.25 MAPS	
76134-*501	25	200	25	50.00	48.00	6.25	0.76	
76134-*506							1.27	
<b>76134-6002</b>							0.25 MAPS	
76134-*002							0.76	
76134-*007	10	80	10	20.00	18.00	4.25	1.27	
<b>76134-7502</b>							0.25 MAPS	
76134-*502							0.76	
76134-*507							1.27	
<b>76134-6003</b>	25	200	25	50.00	48.00	5.15	0.25 MAPS	
76134-*003							0.76	
76134-*008							1.27	
<b>76134-7503</b>							0.25 MAPS	
76134-*503	10	80	10	20.00	18.00	4.75	0.76	
76134-*508							1.27	
<b>76134-6004</b>							0.25 MAPS	
76134-*004							0.76	
76134-*009	25	200	25	50.00	48.00	6.25	1.27	
<b>76134-7504</b>							0.25 MAPS	
76134-*504							0.76	
76134-*509							1.27	

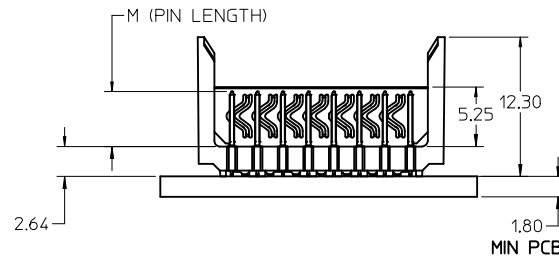
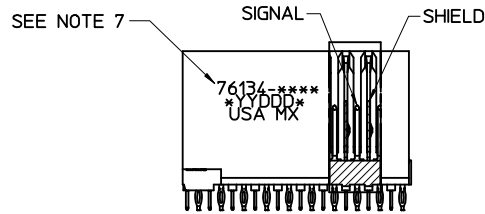
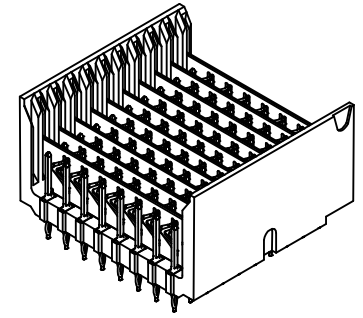
SEE SHEET 1 EC NO: UCP2014-3396 DRWNS:VANG01 2014/02/14 CHKD:MOLFE 2014/02/14 APPR:SMILLER 2014/02/25	QUALITY SYMBOLS ▽=0 ▽=0 ▽=0	GENERAL TOLERANCES (UNLESS SPECIFIED) mm INCH 4 PLACES ± --- ± --- 3 PLACES ± --- ± --- 2 PLACES ± 0.25 ± --- 1 PLACE ± 0.38 ± --- 0 PLACE ± --- ± --- ANGULAR ±1/2°	DIMENSION STYLE MM ONLY DRAWN BY J JONIAK DATE 2008/04/11 CHECKED BY BINGHAM DATE 2008/04/11 APPROVED BY BINGHAM DATE 2008/04/11	SCALE 5:1 DESIGN UNITS METRIC THIRD ANGLE PROJECTION	TITLE VHDM H-SERIES 8 ROW OPEN END BACKPLANE SALES DRAWING <b>molex</b>	MATERIAL NO. SEE TABLE DOCUMENT NO. SD-76134-001	SHEET NO. 2 OF 2				
								DRAFT WHERE APPLICABLE MUST REMAIN WITHIN DIMENSIONS		THIS DRAWING CONTAINS INFORMATION THAT IS PROPRIETARY TO MOLEX INCORPORATED AND SHOULD NOT BE USED WITHOUT WRITTEN PERMISSION	



OUTER ROWS OF SHIELD THRU HOLES WILL NOT BE POPULATED

ROW A

ROW H



NOTES:

- MATERIALS:  
HOUSING - LIQUID CRYSTAL POLYMER (LCP)  
GLASS FILLED, UL94V-0, BLACK  
SIGNAL PIN AND SHIELD - COPPER ALLOY
- FINISHES:  
CONTACT AREA - SELECTIVE GOLD (Au)  
PCB TAILS - SELECTIVE MATTE TIN (Sn)
- THIS PART CONFORMS TO MOLEX PRODUCT SPECIFICATION PS-74031-999.
- FOR MIXED CONTACT LENGTH CONTACT MOLEX FOR AVAILABILITY.
- FOR SPECIFIC MATERIAL NUMBERS AND MATING INFORMATION REFER TO SHEET 2.
- PACKAGE PER PK-74060-003.
- ASSEMBLY WILL BE MARKED WITH P/N AND DATE CODE WITH LASER MARK ON SIDE OF HOUSING OR BY LABEL ON THE TUBE.
- MAPS (MOLEX ADVANCED PLATING SYSTEM).

<b>UPDATE TABLE</b> EC NO: UCP2014-3396 DRWNS:VANG01 2014/02/14 CHKD:MMOLFE 2014/02/14 APPR:SMILLER 2014/02/25	QUALITY SYMBOLS 	GENERAL TOLERANCES (UNLESS SPECIFIED)		DIMENSION STYLE <b>MM ONLY</b>	SCALE <b>5:1</b>	DESIGN UNITS <b>METRIC</b>	THIRD ANGLE PROJECTION																													
		<table border="1"> <thead> <tr> <th></th> <th>mm</th> <th>INCH</th> </tr> </thead> <tbody> <tr> <td>4 PLACES</td> <td>± ---</td> <td>± ---</td> </tr> <tr> <td>3 PLACES</td> <td>± ---</td> <td>± ---</td> </tr> <tr> <td>2 PLACES</td> <td>± 0.25</td> <td>± ---</td> </tr> <tr> <td>1 PLACE</td> <td>± 0.38</td> <td>± ---</td> </tr> <tr> <td>0 PLACE</td> <td>± ---</td> <td>± ---</td> </tr> </tbody> </table>		mm	INCH	4 PLACES	± ---	± ---	3 PLACES	± ---	± ---	2 PLACES	± 0.25	± ---	1 PLACE	± 0.38	± ---	0 PLACE	± ---	± ---	<table border="1"> <thead> <tr> <th>DRAWN BY</th> <th>DATE</th> </tr> </thead> <tbody> <tr> <td>JJONIAK</td> <td>2008/04/11</td> </tr> <tr> <th>CHECKED BY</th> <th>DATE</th> </tr> <tr> <td>BINGHAM</td> <td>2008/04/11</td> </tr> <tr> <th>APPROVED BY</th> <th>DATE</th> </tr> <tr> <td>BINGHAM</td> <td>2008/04/11</td> </tr> </tbody> </table>	DRAWN BY	DATE	JJONIAK	2008/04/11	CHECKED BY	DATE	BINGHAM	2008/04/11	APPROVED BY	DATE	BINGHAM	2008/04/11	TITLE <b>VHDM H-SERIES 8 ROW OPEN END BACKPLANE SALES DRAWING</b>		
		mm	INCH																																	
	4 PLACES	± ---	± ---																																	
3 PLACES	± ---	± ---																																		
2 PLACES	± 0.25	± ---																																		
1 PLACE	± 0.38	± ---																																		
0 PLACE	± ---	± ---																																		
DRAWN BY	DATE																																			
JJONIAK	2008/04/11																																			
CHECKED BY	DATE																																			
BINGHAM	2008/04/11																																			
APPROVED BY	DATE																																			
BINGHAM	2008/04/11																																			
	ANGULAR ±1/2° DRAFT WHERE APPLICABLE MUST REMAIN WITHIN DIMENSIONS	MATERIAL NO. <b>SEE SHEET 2</b>	DOCUMENT NO. <b>SD-76134-001</b>	SHEET NO. <b>1 OF 2</b>																																

# MATERIAL NUMBER ASSIGNMENT

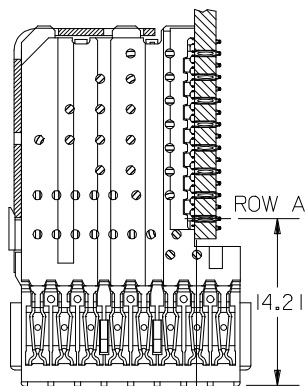
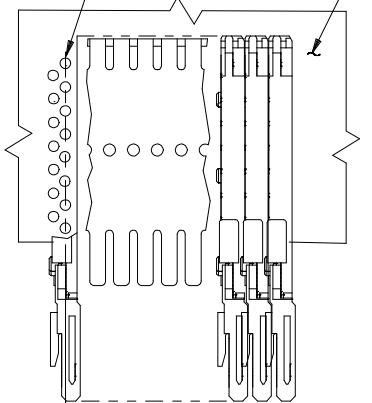
76134-\*\*\*0\*

PIN HEIGHT / PLATING  
 1-4 = 0.25 or 0.76 GOLD  
 6-9 = 1.27 GOLD

NUMBER OF COLUMNS/PLATING  
 10 = 10 COLUMN MATTE TIN (FORMERLY TIN/LEAD)  
 25 = 25 COLUMN MATTE TIN (FORMERLY TIN/LEAD)  
 60 = 10 COLUMN MATTE TIN (MAPS)  
 75 = 25 COLUMN MATTE TIN (MAPS)  
 90 = 10 COLUMN MATTE TIN  
 85 = 25 COLUMN MATTE TIN

1 & 6 = 4.75  
 2 & 7 = 6.25  
 3 & 8 = 4.25  
 4 & 9 = 5.15

SIGNAL COLUMN  
 DAUGHTERCARD CONNECTOR SIDE



2.45  
 TOP OF DAUGHTERCARD PCB  
 TO  $\phi$  OF ROW A

0.41 OFFSET  
 SIGNAL TO SIGNAL

SHIELD  
 SIGNAL

ROW A

PART NUMBER	COLUMN	NUMBER OF SIGNAL PIN	NUMBER OF SHIELD	A	B	M	GOLD THICKNESS MICROMETER	TIN THICKNESS MICROMETER
<b>76134-6001</b>	10	80	10	20.00	18.00	4.75	0.25 MAPS	0.76-1.52
76134-*001							0.76	
76134-*006							1.27	
<b>76134-7501</b>							0.25 MAPS	
76134-*501	25	200	25	50.00	48.00	6.25	0.76	
76134-*506							1.27	
<b>76134-6002</b>							0.25 MAPS	
76134-*002							0.76	
76134-*007	10	80	10	20.00	18.00	4.25	1.27	
<b>76134-7502</b>							0.25 MAPS	
76134-*502							0.76	
76134-*507							1.27	
<b>76134-6003</b>	25	200	25	50.00	48.00	5.15	0.25 MAPS	
76134-*003							0.76	
76134-*008							1.27	
<b>76134-7503</b>							0.25 MAPS	
76134-*503	10	80	10	20.00	18.00	4.75	0.76	
76134-*508							1.27	
<b>76134-6004</b>							0.25 MAPS	
76134-*004							0.76	
76134-*009	25	200	25	50.00	48.00	6.25	1.27	
<b>76134-7504</b>							0.25 MAPS	
76134-*504							0.76	
76134-*509							1.27	

SEE SHEET 1 EC NO: UCP2014-3396 DRWNS:VANG01 2014/02/14 CHKD:MOLFE 2014/02/14 APPR:SMILLER 2014/02/25	QUALITY SYMBOLS ▽=0 ▽=0 ▽=0	GENERAL TOLERANCES (UNLESS SPECIFIED) mm INCH 4 PLACES ± --- ± --- 3 PLACES ± --- ± --- 2 PLACES ± 0.25 ± --- 1 PLACE ± 0.38 ± --- 0 PLACE ± --- ± --- ANGULAR ±1/2°	DIMENSION STYLE MM ONLY DRAWN BY J JONIAK DATE 2008/04/11 CHECKED BY BINGHAM DATE 2008/04/11 APPROVED BY BINGHAM DATE 2008/04/11	SCALE 5:1 DESIGN UNITS METRIC THIRD ANGLE PROJECTION	TITLE VHDM H-SERIES 8 ROW OPEN END BACKPLANE SALES DRAWING <b>molex</b>	MATERIAL NO. SEE TABLE DOCUMENT NO. SD-76134-001	SHEET NO. 2 OF 2		
								DRAFT WHERE APPLICABLE MUST REMAIN WITHIN DIMENSIONS	THIS DRAWING CONTAINS INFORMATION THAT IS PROPRIETARY TO MOLEX INCORPORATED AND SHOULD NOT BE USED WITHOUT WRITTEN PERMISSION