

PART NO. AND WEEK/YEAR DATE CODE TO BE STAMPED ON THE SIDE OF COMPLETED CAGE ASSEMBLY APPROXIMATELY AS SHOWN

WEEK/YEAR DATE CODE TABLE	
WK	01 THRU 52 OR 53 EXAMPLE: 01 = FIRST WEEK OF YEAR 52= LAST WEEK OF THE YEAR
YR	22, 23, 24 ETC. EXAMPLE: YEAR 2022 = 22

NOTES:

- MATERIAL:**
CAGE: NICKEL PLATED COPPER ALLOY, THICKNESS 0.25mm
SPRING FINGER: STAINLESS STEEL.
- PRESS FIT LEGS 3.60 LONG -**
1.57 MINIMUM PCB THICKNESS FOR SINGLE SIDED USE
INSERTION FORCE INTO PCB < 50 LBS
- PORTS ARE DESIGNED FOR SFP+ TRANSCEIVERS AND ARE BACKWARDS COMPATIBLE WITH SFP TRANSCEIVERS**
- THIS PART MEETS THE RESTRICTION OF HAZARDOUS SUBSTANCES IN ELECTRICAL AND ELECTRONIC EQUIPMENT (RoHS) DIRECTIVE (2002/95/EC)**

FUNCTIONAL SYMBOLS $\nabla_A = 0$ $\nabla_E = 0$ $\nabla_P = 0$	THIS DRAWING CONTAINS INFORMATION THAT IS PROPRIETARY TO MOLEX ELECTRONIC TECHNOLOGIES, LLC AND SHOULD NOT BE USED WITHOUT WRITTEN PERMISSION		CURRENT REV DESC:				
	DIMENSION UNITS	SCALE	EC NO: 712396				
	mm	3:1	DRWN: DKUMARG 2022/06/28				
	GENERAL TOLERANCES (UNLESS SPECIFIED)		CHK'D: AMRUTH 2022/06/29				
DIVISIONAL SYMBOLS	ANGULAR TOL	± 1.0°	APPR: SCHIEN 2022/06/29		PRODUCT CUSTOMER DRAWING		
	4 PLACES	±	INITIAL REVISION:				
	3 PLACES	±	DRWN: PKH 2022/04/13		747548106		
	2 PLACES	± 0.15	APPR: SCHIEN 2022/06/01				
1 PLACE	± 0.25	DRAFT WHERE APPLICABLE MUST REMAIN WITHIN DIMENSIONS		PSD ASY A1			
0 PLACES	±	THIRD ANGLE PROJECTION	DRAWING	SERIES	MATERIAL NUMBER	CUSTOMER	SHEET NUMBER
			C-SIZE	74754	747548106		1 OF 4

PCB LAYOUT FOR SINGLE SIDE MOUNT

HATCHED AREA DENOTES COMPONENT AND TRACE KEEP-OUT (EXCEPT CHASSIS GROUND)

TOP LEFT HOLE OF ADJACENT CAGE AT MINIMUM SPACING

10X $\varnothing 1.05 \pm 0.05$
(SHOWN AS ●)
 $\varnothing 0.05$ A B

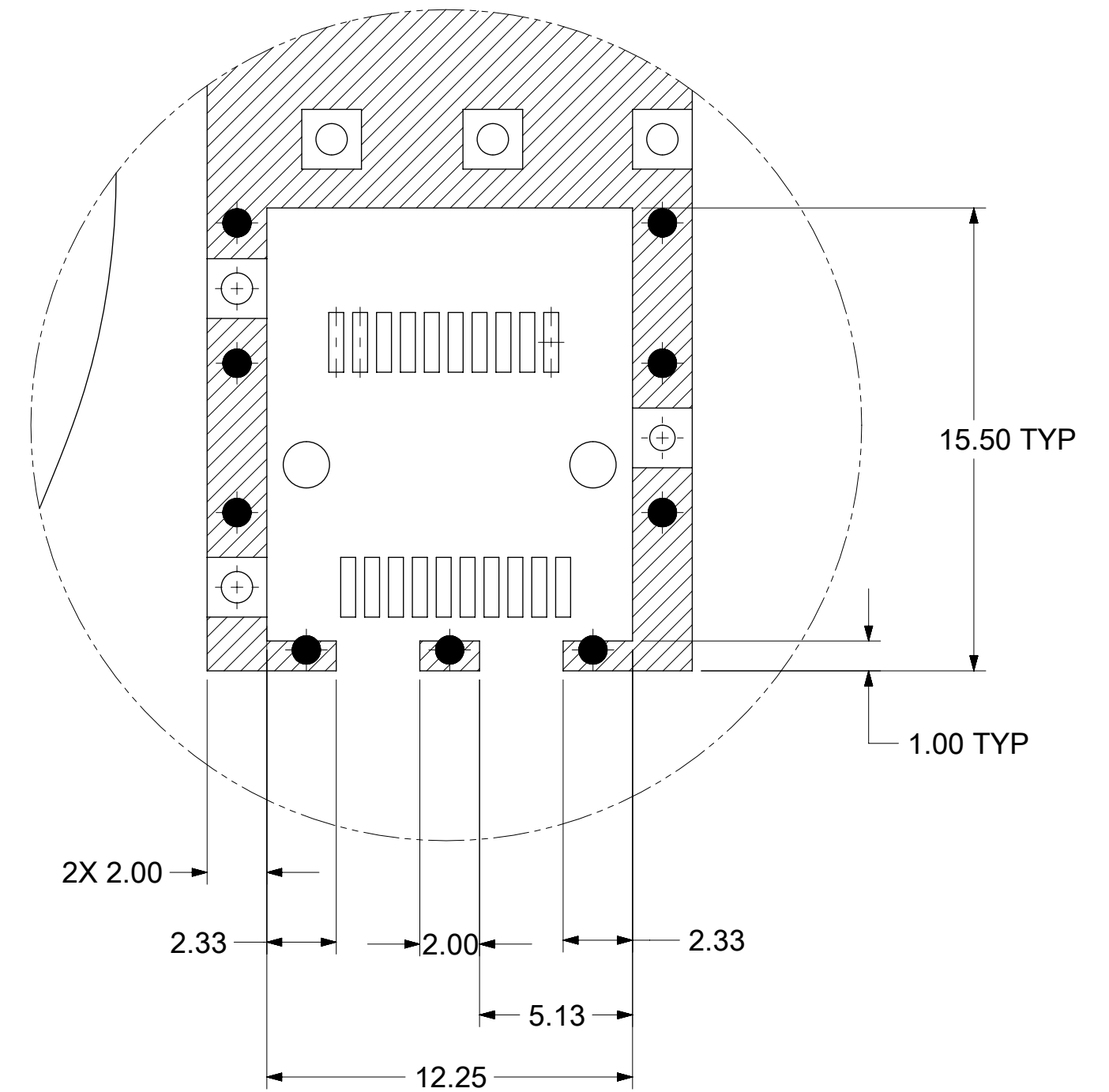
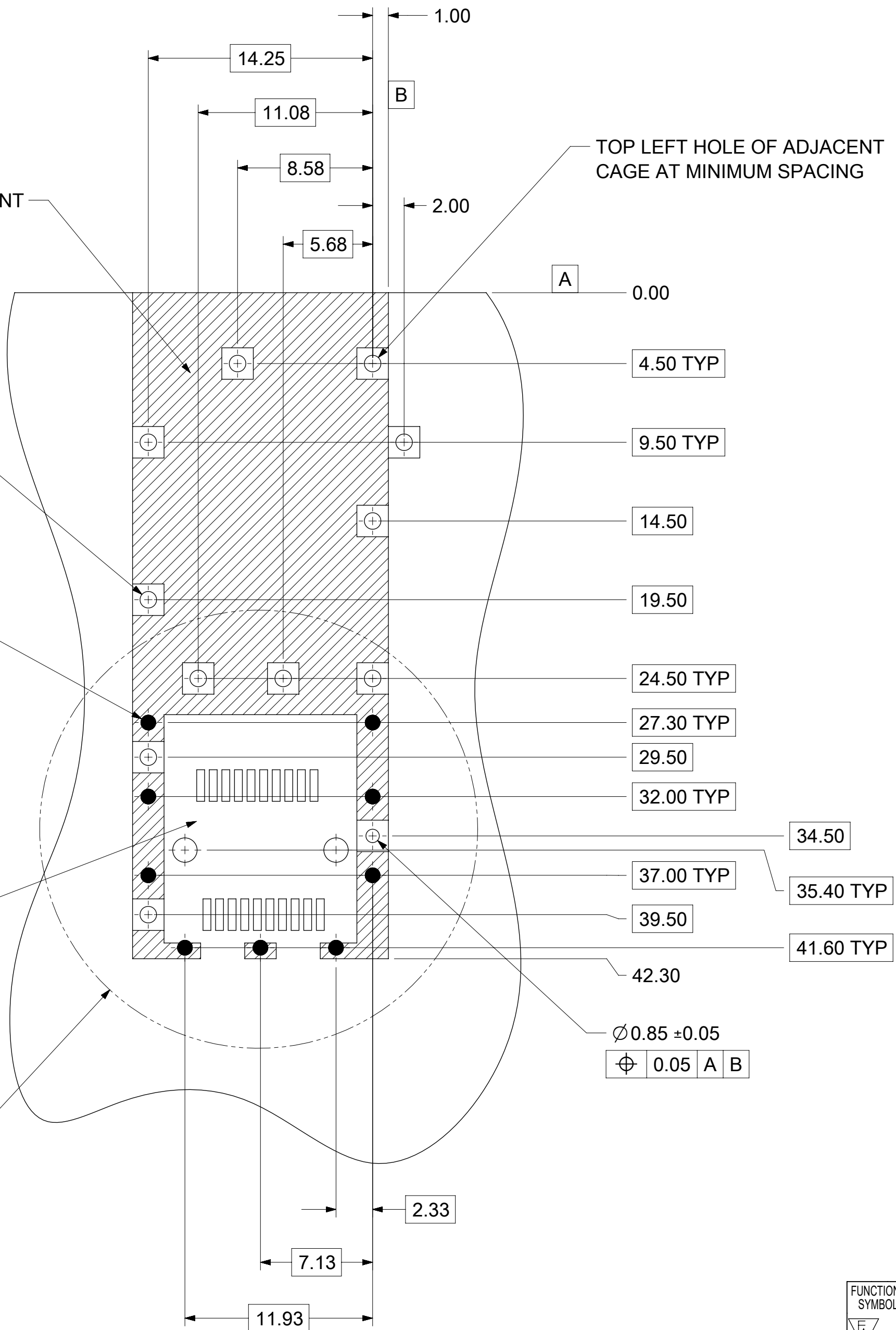
9X $\varnothing 0.95 \pm 0.05$
(SHOWN AS ●)
 $\varnothing 0.05$ A B

THIS AREA DENOTES COMPONENT KEEP-OUT (TRACES ALLOWED)

SEE DETAIL 1

NOTES:

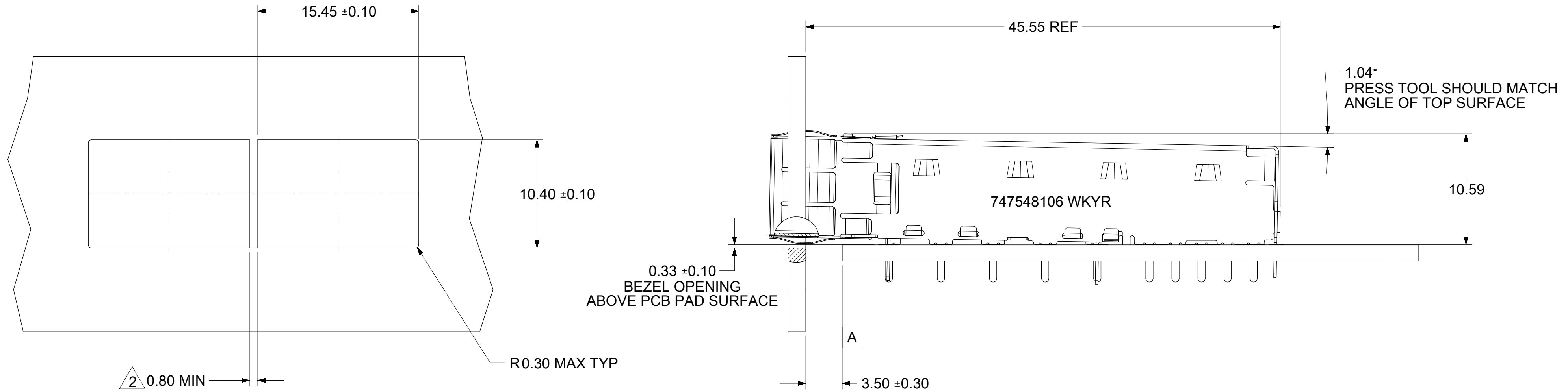
1. PADS AND VIAS CONNECT TO CHASSIS GROUND (RECOMMEND PADS TO BE 2.00mm SQUARE)
2. RECOMMENDED THRU HOLE PLATING INCLUDES HASL, OSP, OR IMMERSION (GOLD, SILVER, OR TIN).
3. CONNECTOR PAD LAYOUT PER SFP+ MSA WILL ACCOMMODATE MOLEX CONNECTOR SERIES 74441 OR EQUIVALENT.



DETAIL 1
SCALE 10:1
HOST CONNECTOR DETAIL

FUNCTIONAL SYMBOLS	THIS DRAWING CONTAINS INFORMATION THAT IS PROPRIETARY TO MOLEX ELECTRONIC TECHNOLOGIES, LLC AND SHOULD NOT BE USED WITHOUT WRITTEN PERMISSION		CURRENT REV DESC:		molex
	DIMENSION UNITS	SCALE			
$\frac{E}{A} = 0$	mm	4:1			SFP+ 1X1 PCI CAGE ASSY W/ SUS SPRING FINGERS SOLDER POST
$\frac{E}{C} = 0$	GENERAL TOLERANCES (UNLESS SPECIFIED)				
$\frac{E}{P} = 0$	ANGULAR TOL $\pm 1.0^\circ$				PRODUCT CUSTOMER DRAWING
DIVISIONAL SYMBOLS	4 PLACES	\pm	EC NO: 712396	2022/06/28	
	3 PLACES	\pm	DRWN: DKUMARG	2022/06/29	
	2 PLACES	± 0.15	CHK'D: AMRUTH	2022/06/29	
	1 PLACE	± 0.25	APPR: SCHIEN	2022/06/29	
	0 PLACES	\pm	INITIAL REVISION:		
	DRAFT WHERE APPLICABLE MUST REMAIN WITHIN DIMENSIONS		DRWN: PKH	2022/04/13	DOCUMENT NUMBER
	THIRD ANGLE PROJECTION		APPR: SCHIEN	2022/06/01	747548106
	DRAWING		SERIES	MATERIAL NUMBER	CUSTOMER
	C-SIZE		74754	747548106	
					DOC TYPE DOC PART REVISION
					PSD ASY A1
					SHEET NUMBER
					2 OF 4

BEZEL AND BOARD POSITION DIMENSIONS FOR SINGLE SIDE MOUNTING (SPRING FINGER)



2 0.80 MIN

R0.30 MAX TYP

0.33 ±0.10
BEZEL OPENING
ABOVE PCB PAD SURFACE

A

3.50 ±0.30

45.55 REF

1.04°
PRESS TOOL SHOULD MATCH
ANGLE OF TOP SURFACE


10.59

747548106 WKYR

NOTE:
 1. PCB THICKNESS VARIATION MUST BE CONSIDERED WHEN DETERMINING BEZEL OPENING LOCATION.
 2. THIS DIMENSION IS FOR REFERENCE ONLY. USER CAN MODIFY UT DEPENDS ON APPLICATION.
 (THIS DIMENSION VARIES BASED ON DISTANCE OF "HOLE OF ADJACENT CAGE" ON PCB LAYOUT.)

THIS DRAWING CONTAINS INFORMATION THAT IS PROPRIETARY TO MOLEX ELECTRONIC TECHNOLOGIES, LLC AND SHOULD NOT BE USED WITHOUT WRITTEN PERMISSION											
FUNCTIONAL SYMBOLS	DIMENSION UNITS	SCALE	CURRENT REV DESC:				molex				
$\nabla_A = 0$	mm	3.5:1	EC NO: 712396								
$\nabla_C = 0$	GENERAL TOLERANCES (UNLESS SPECIFIED)		DRWN: DKUMARG 2022/06/28				SFP+ 1X1 PCI CAGE ASSY W/ SUS SPRING FINGERS SOLDER POST				
$\nabla_P = 0$	ANGULAR TOL ± 1.0°		CHK'D: AMRUTH 2022/06/29								
DIVISIONAL SYMBOLS	4 PLACES ±		APPR: SCHIEN 2022/06/29				PRODUCT CUSTOMER DRAWING				
	3 PLACES ±		INITIAL REVISION:								
	2 PLACES ± 0.15		DRWN: PKH 2022/04/13				DOCUMENT NUMBER 747548106		DOC TYPE PSD	DOC PART ASY	REVISION A1
	1 PLACE ± 0.25		APPR: SCHIEN 2022/06/01								
	0 PLACES ±		DRAFT WHERE APPLICABLE MUST REMAIN WITHIN DIMENSIONS		THIRD ANGLE PROJECTION	DRAWING	SERIES	MATERIAL NUMBER	CUSTOMER	SHEET NUMBER	
			C-SIZE	74754	747548106					3 OF 4	

REV	DATE	DESCRIPTION
A	2022/05/25	INITIAL RELEASE
A1	2022/06/28	SHEET 02 : B07 ,F11 & E11 : CORRECTED THE TYPO OF POSITION TOLERANCE FROM 0.1 TO 0.05 IN THE FEATURE CONTROL FRAME

FUNCTIONAL SYMBOLS $\nabla_A = 0$ $\nabla_C = 0$ $\nabla_P = 0$	THIS DRAWING CONTAINS INFORMATION THAT IS PROPRIETARY TO MOLEX ELECTRONIC TECHNOLOGIES, LLC AND SHOULD NOT BE USED WITHOUT WRITTEN PERMISSION		CURRENT REV DESC:		
	DIMENSION UNITS: mm SCALE: 1:1	GENERAL TOLERANCES (UNLESS SPECIFIED) ANGULAR TOL ± 1.0°		EC NO: 712396 DRWN: DKUMARG 2022/06/28 CHK'D: AMRUTH 2022/06/29 APPR: SCHIEN 2022/06/29	
DIVISIONAL SYMBOLS 4 PLACES ± 3 PLACES ± 2 PLACES ± 0.15 1 PLACE ± 0.25 0 PLACES ±	DRAFT WHERE APPLICABLE MUST REMAIN WITHIN DIMENSIONS		INITIAL REVISION: DRWN: PKH 2022/04/13 APPR: SCHIEN 2022/06/01		PRODUCT CUSTOMER DRAWING
DOCUMENT NUMBER: 747548106		DOC TYPE: PSD	DOC PART: ASY	REVISION: A1	
THIRD ANGLE PROJECTION		DRAWING: C-SIZE	SERIES: 74754	MATERIAL NUMBER: 747548106	CUSTOMER:
SHEET NUMBER: 4 OF 4					