

MATERIALS AND FINISHES

BODY, CRIMP TUBE BRASS
PLATED SEE TABLE

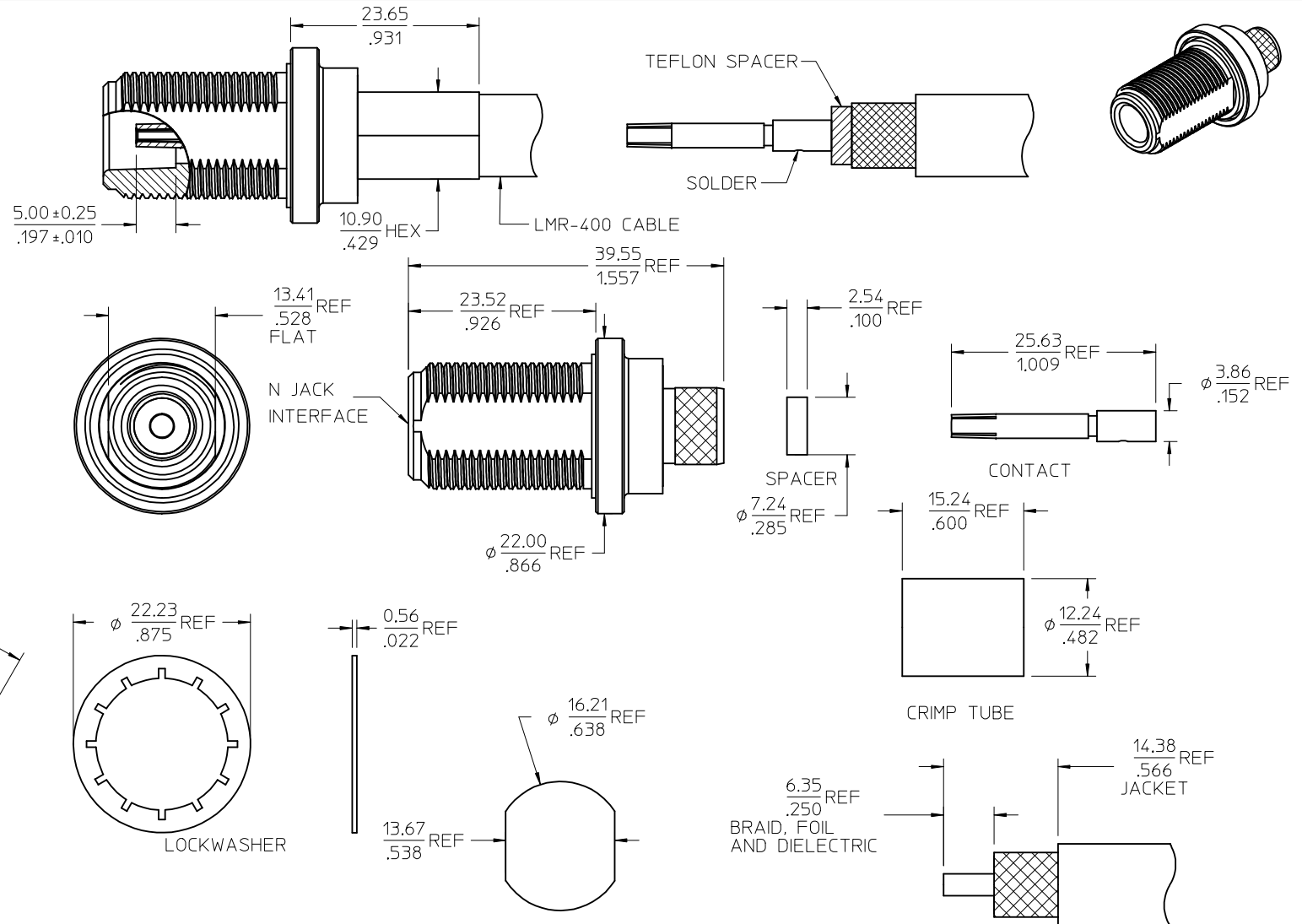
CENTER CONTACT BERYLLIUM COPPER
PLATED GOLD

INSULATOR, SPACER TEFLON

GASKET SILICONE RUBBER

LOCKWASHER PHOSPHOR BRONZE
PLATED SEE TABLE

JAMNUT BRASS
PLATED SEE TABLE



RECOMMENDED PANEL LAYOUT
MAX PANEL THK. 6.35(.250)
RECOMMENDED MOUNTING TORQUE
2.26 N-m(20 IN-LBS) MAX

RECOMMENDED STRIP DIMENSIONS

73276-0161	NICKEL
73276-0160	SILVER
PART NUMBER	PLATING
MIL-STD-348A, FIG. 304-2	INTERFACE
SPECIFICATION	DESCRIPTION

CHG: UPDATED VIEW OF REVISED REAR BODY. EC NO: URF2013-0717 DRWN: JWIENER 2013/06/24 CHKD: SSS 2013/06/24 APPR: JWIENER 2013/06/25	QUALITY SYMBOLS
	▼=0 ▽=0
	DESCRIPTION
	REV

GENERAL TOLERANCES (UNLESS SPECIFIED)	
mm	INCH
4 PLACES ± .005	± .0005
3 PLACES ± .003	± .0003
2 PLACES ± .002	± .0002
1 PLACE ± .001	± .0001
ANGULAR ± 2°	
DRAFT WHERE APPLICABLE MUST REMAIN WITHIN DIMENSIONS	

DIMENSION STYLE	
MM/IN	
DRAWN BY	DATE
EDC	1998/05/06
CHECKED BY	DATE
NBJ	1998/05/14
APPROVED BY	DATE
JWIENER	2010/05/03
MATERIAL NO.	
SIZE	SEE TABLE
THIS DRAWING CONTAINS INFORMATION THAT IS PROPRIETARY TO MOLEX INCORPORATED AND SHOULD NOT BE USED WITHOUT WRITTEN PERMISSION	

SCALE	DESIGN UNITS	THIRD ANGLE PROJECTION
	METRIC	
TITLE		
N JACK STR BKHD LMR 400 CABLE, EWR-3217,50 OHMS N-JC		
MOLEX MOLEX INCORPORATED		SHEET NO.
DOCUMENT NO.		1 OF 1
SD-73276-016		