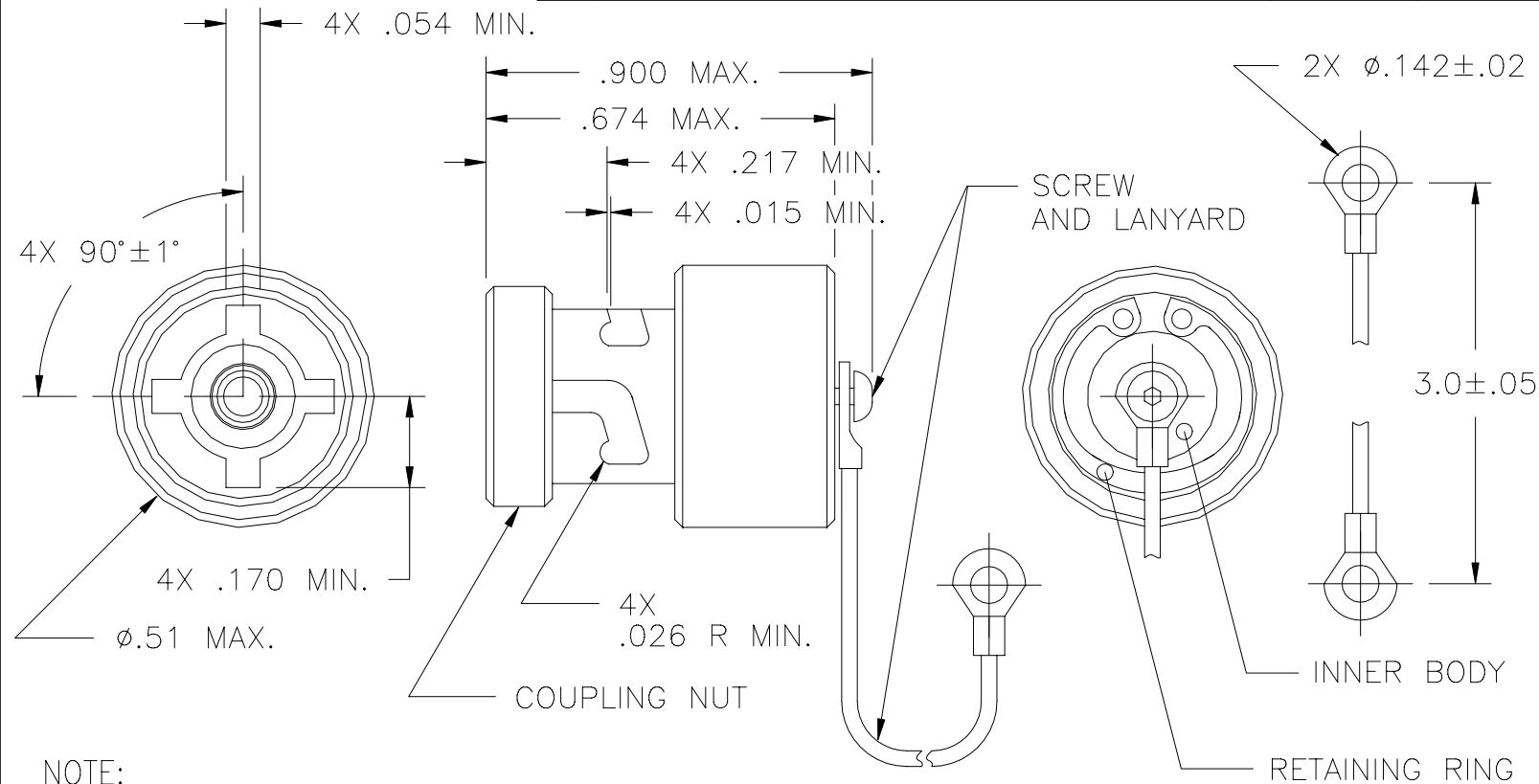


REVISIONS			
LTR	DESCRIPTION	DATE	APPROVED
N/C	INITIAL RELEASE PER ECN# T-18615	94FEB15	ZET
A	REVISED PER ECN T-19998		



- NOTE:  
THIS DUST CAP IS TO BE USED WITH INTERFACE "D" CONNECTOR ONLY.
- 1.0 MATERIALS AND FINISHES
  - 1.1 DUST CAP COUPLING NUT: BECU PER ASTM B196, TIN PLATED PER MIL-T-10727, OVER NICKEL PER MIL-C-26074
  - 1.2 INTERFACIAL SEAL (NOT SHOWN): SILICONE RUBBER
  - 1.3 INNER BODY: BRASS PER ASTM B16, TIN PLATED PER MIL-T-10727, OVER NICKEL PER MIL-C-26074
  - 1.4 SCREW AND LANYARD: STAINLESS STEEL, PASSIVATED PER QQ-P-35
  - 1.5 RETAINING RING: STAINLESS STEEL, TIN PLATED PER MIL-T-10727, OVER NICKEL PER MIL-C-26074

## SPECIFICATION CONTROL DRAWING

If this document is printed it becomes uncontrolled.  
Check with the web for latest revision.

UNLESS OTHERWISE SPECIFIED DIMENSIONS ARE IN INCHES. METRIC DIMENSIONS ARE IN BRACKETS.  DECIMALS .XXX ± — [ — mm ] .XX ± — [ — mm ] ANGLES .X ± —  WEIGHT — lbs [ — g ]	DRAWN	J.B.K.	94 JAN 17	<div style="font-size: 2em; font-family: cursive;">Raychem</div> <div style="font-size: 0.8em; text-align: right;">           RAYCHEM CORPORATION            300 CONSTITUTION DRIVE            MENLO PARK, CALIFORNIA 94025         </div>
	CHECKED	Z.E.T.	94FEB14	
	APPROVED	P.J.D.	94FEB15	
	APPROVED			
	CAD NAME			TITLE <div style="font-size: 1.2em;">DUST CAP, BAYONET, COUPLED, INTERFACE "D"</div>
	009354-1.DWG			
	THIRD ANGLE PROJECTION			SIZE    CODE IDENT. NO.    DWG. NO.    REV <div style="font-size: 1.2em; text-align: center;">           A    06090    D-600-0065-3    A         </div>
DO NOT SCALE THIS DRAWING				SHEET 1 OF 1