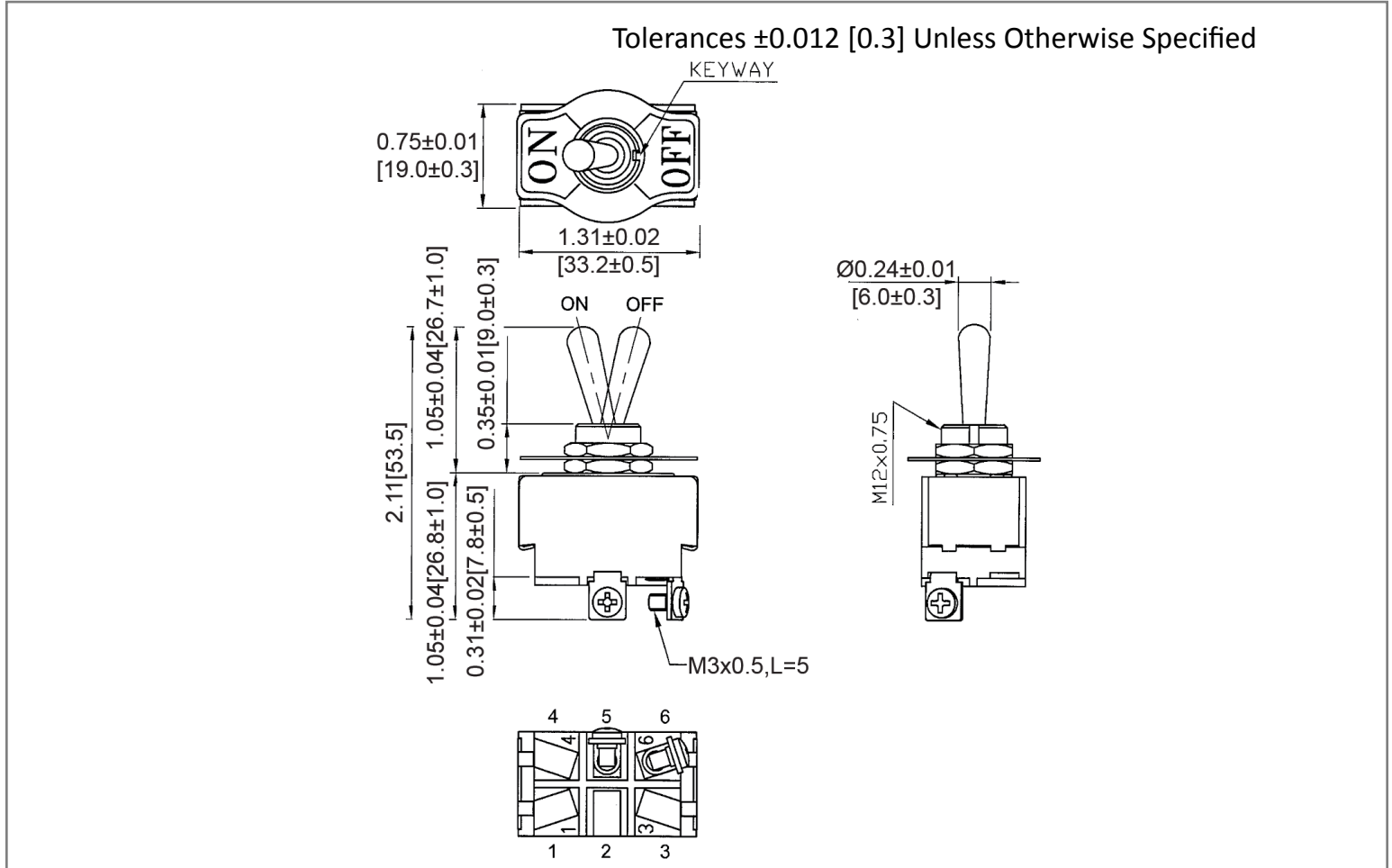
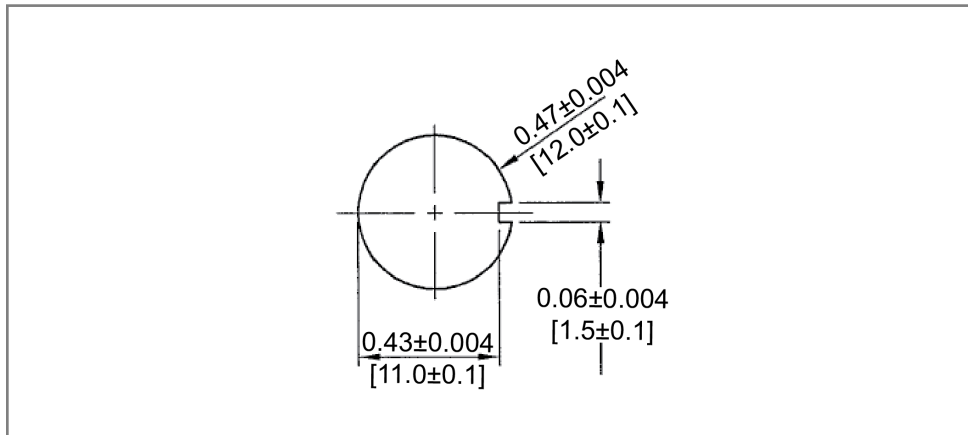


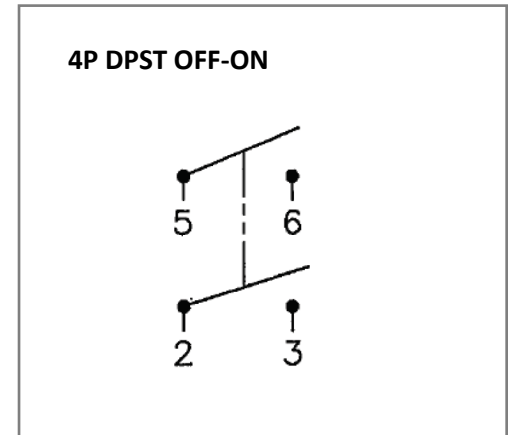
Mechanical Dimensions: Inches [mm]



Mounting Hole



Circuit Diagram



Electrical Specifications

| | |
|-----------------------|------------------------|
| Rating | 20A 12V DC, 10A 24V DC |
| Contact Resistance | 50m ohm Max |
| Insulation Resistance | DC 500V 100M ohm Min |
| Dielectric Strength | AC 1500V 1 minute |
| Operation Temperature | 0°C~55°C |

Material Specifications

| |
|--------------------------|
| 2 HEX NUT ASSY |
| 1 ON/OFF FACE PLATE ASSY |

| Rev | Date of issue | Revision Notes | Designed | Approved |
|-----|---------------|-----------------|----------|----------|
| B | 07-13-2021 | Initial Drawing | RC | OF |