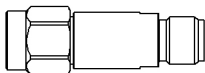
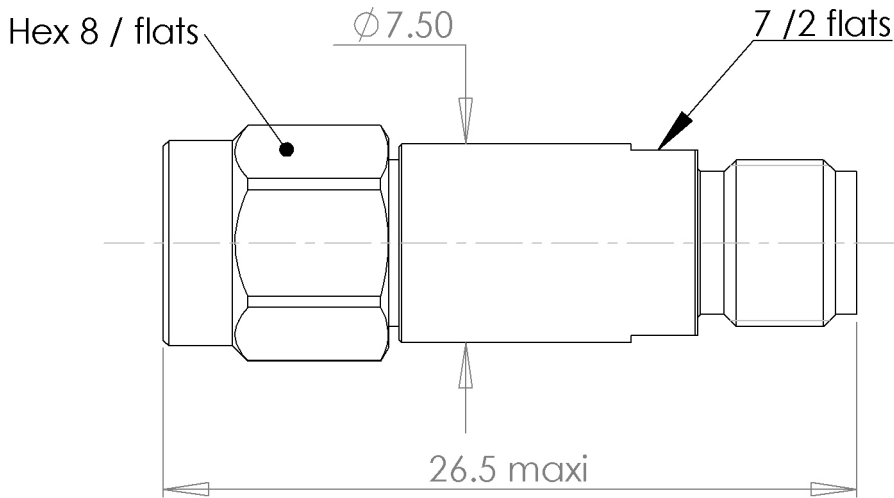
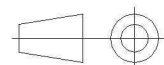
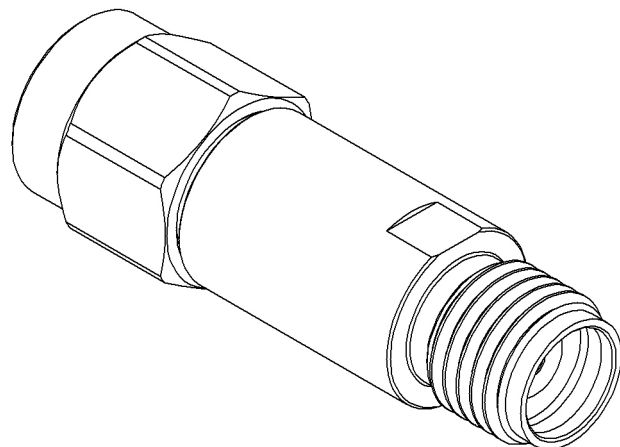


PAGE 1/2	ISSUE 10-08-20D	SERIES ATTENUATOR	PART NUMBER R413302000
----------	-----------------	----------------------	------------------------



Scale 1:1

All dimensions are in mm. Tolerances according ISO 2768 m-H



COMPONENTS	MATERIALS	PLATING (µm)
Body	<b>STAINLESS STEEL</b>	<b>PASSIVATED</b>
Male center contact	<b>BERYLLIUM COPPER</b>	<b>GOLD 1.3 OVER NICKEL2</b>
Female center contact	<b>BERYLLIUM COPPER</b>	<b>GOLD 1.3 OVER NICKEL2</b>
Outer contact	<b>STAINLESS STEEL</b>	<b>PASSIVATED</b>
Insulator	-	
Gasket	<b>SILICONE RUBBER</b>	
Substrate	<b>ALUMINA</b>	
Resistor	<b>THIN FILM</b>	
Others parts		

PAGE 2/2	ISSUE 10-08-20D	SERIES ATTENUATOR	PART NUMBER R413302000
----------	-----------------	----------------------	------------------------

**ELECTRICAL CHARACTERISTICS**

Frequency (GHz)	<b>DC - 40</b>
V.S.W.R (≤)	<b>1.60 (1.4 typ.)</b>
Deviation(±dB)	<b>0.8</b>

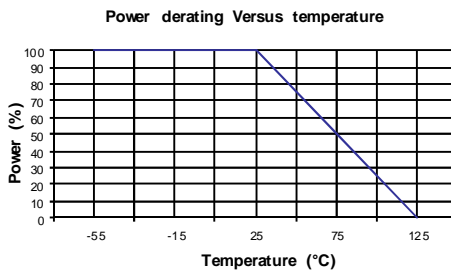
Operating Frequency Range	<b>DC - 40</b>	GHz
Impedance	<b>50</b>	Ω
Nominal Attenuation	<b>2</b>	dB
Peak power at 25°C (1μs, 1%)	<b>100</b>	W
Average power at 25°C	<b>2</b>	W (Free Air Cooled)
		W (Conduction Cooled)

**MECHANICAL CHARACTERISTICS**

Connectors	<b>SMA 2.9</b>	<b>Male Female</b>	<b>MIL-C 39012</b>
Weight	<b>6,58 g</b>		

**ENVIRONMENTAL CHARACTERISTICS**

Operating temperature range	<b>-55/+125 °C</b>
Storage temperature range	<b>-55/+125 °C</b>



**SPECIFICATION**

**OTHER CHARACTERISTICS**