

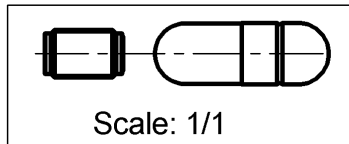
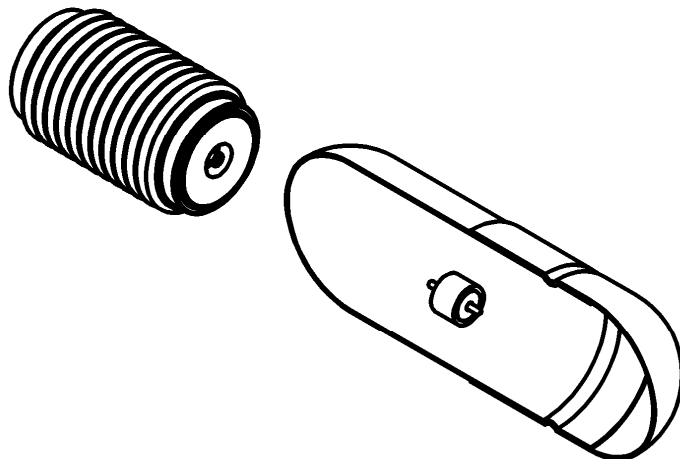
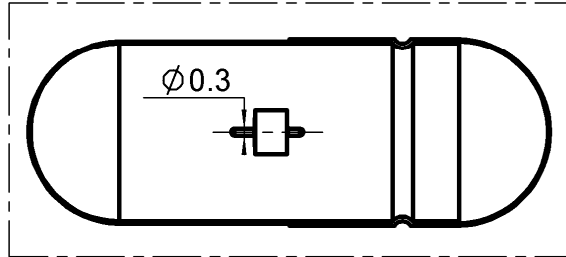
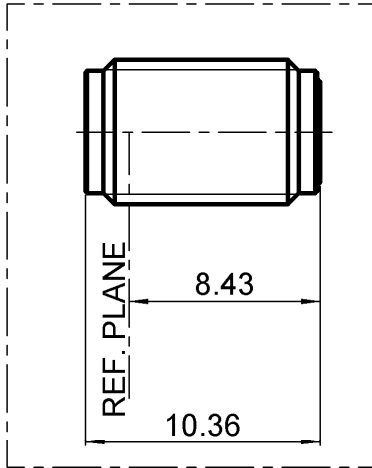
**UNIVERSAL SCREW RECEPTACLE
FOR AXIS 0.3 MM + GLASS BEAD**

R127.601.421

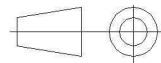
Series : SMA2.9

CONNECTOR R127.601.001

GLASS SEAL R280.760.000



All dimensions are in mm.



COMPONENTS	MATERIALS	PLATINGS (µm)
BODY	STAINLESS STEEL	PASSIVATED
CENTER CONTACT	BERYLLIUM COPPER, NICKEL STEEL	GOLD 1.3 OVER NICKEL 2
OUTER CONTACT	-	-
INSULATOR	KAPTON + GLASS	-
GASKET	-	-
OTHERS PARTS	BRASS	GOLD 0.2 OVER NICKEL 2
-	-	-
-	-	-

Issue : 1018 B

In the effort to improve our products, we reserve the right to make changes judged to be necessary.



**UNIVERSAL SCREW RECEPTACLE
FOR AXIS 0.3 MM + GLASS BEAD**

R127.601.421

Series : SMA2.9

PACKAGING

Standard	Unit	Other
1	-	Contact us

SPECIFICATION

ELECTRICAL CHARACTERISTICS

Impedance	50	Ω
Frequency	0-46	GHz
VSWR	1.05 + 0,0060	x F(GHz) Maxi
Insertion loss	NA	$\sqrt{F}(\text{GHz})$ dB Maxi
RF leakage	NA	- F(GHz)) dB Maxi
Voltage rating	250	Veff Maxi
Dielectric withstanding voltage	750	Veff mini
Insulation resistance	5000	M Ω mini

ENVIRONMENTAL

Operating temperature	-65/+165	$^{\circ}\text{C}$
Hermetic seal	NA	Atm.cm3/s
Panel leakage	NA	

OTHERS CHARACTERISTICS

Assembly instruction

Others :

MECHANICAL CHARACTERISTICS

Center contact retention		
Axial force – Mating end	15	N mini
Axial force – Opposite end	15	N mini
Torque	NA	N.cm mini
Recommended torque		
Mating	NA	N.cm
Panel nut	190	N.cm
Mating life	500	Cycles mini
Weight	1,8930	g

Issue : 1018 B

In the effort to improve our products, we reserve the right to make changes judged to be necessary.

