



Product /Process Change Notification

PCN Number: PCN-20140060

Create Date: 11/13/2014

Issue By: JAYDENCHOU

Customer name: ALL Customer

1. Change Type: Drawing change of PCB thickness

2. Parts Affected or Product Description: LTPL-M08206 series, LTPL-M08210 series and LTPL-M08218 series

3. Description and Extent of Change: PCB material change from 1.2 mm to 1.0 mm

4. Reasona of Change: 1. Improve product performance. 2. Share with popular eco-system solutions.

5. Effective Date of Change: 2014 Nov. 30

6. Availability of Sample and Datasheet: 2014 Nov. 21

Customer Approval Portion :

* Approved (_____) ,

Remark : _____

* Rejected (_____) ,

Reason : _____

SIGNATURE :

DATE :

LITE-ON DCC

RELEASE

QLS-OD-FC006/A4

Product /Process Change Notification

LTPL-M08 Series Product Change Notification

PCN141029ALED002

Effective: November 30th, 2014

Description:

LITEON would like to announce the process change of LTPL-M082 series on Nov./30th, 2014.

Part number affected.

Product Affected:		Product Transferred to:
LTPL-M08206ZS27-T0	→	LTPL-M08206ZS27-T0
LTPL-M08206ZS27-S1	→	LTPL-M08206ZS27-T0
LTPL-M08206ZS30-T0	→	LTPL-M08206ZS30-T0
LTPL-M08206ZS30-S1	→	LTPL-M08206ZS30-T0
LTPL-M08206ZS40-T0	→	LTPL-M08206ZS40-T0
LTPL-M08206ZS40-S1	→	LTPL-M08206ZS40-T0
LTPL-M08206ZS50-F1	→	LTPL-M08206ZS50-F1
LTPL-M08206ZS50-S1	→	LTPL-M08206ZS50-F1
LTPL-M08206ZS57-F1	→	LTPL-M08206ZS57-F1
LTPL-M08206ZS57-S1	→	LTPL-M08206ZS57-F1
LTPL-M08208ZS27-T0	→	LTPL-M08208ZS27-T0
LTPL-M08208ZS27-S1	→	LTPL-M08208ZS27-T0
LTPL-M08210ZS40-T0	→	LTPL-M08210ZS40-T0
LTPL-M08210ZS40-S1	→	LTPL-M08210ZS40-T0
LTPL-M08210ZS50-F1	→	LTPL-M08210ZS50-F1
LTPL-M08210ZS50-S1	→	LTPL-M08210ZS50-F1
LTPL-M08210ZS57-F1	→	LTPL-M08210ZS57-F1
LTPL-M08210ZS57-S1	→	LTPL-M08210ZS57-F1

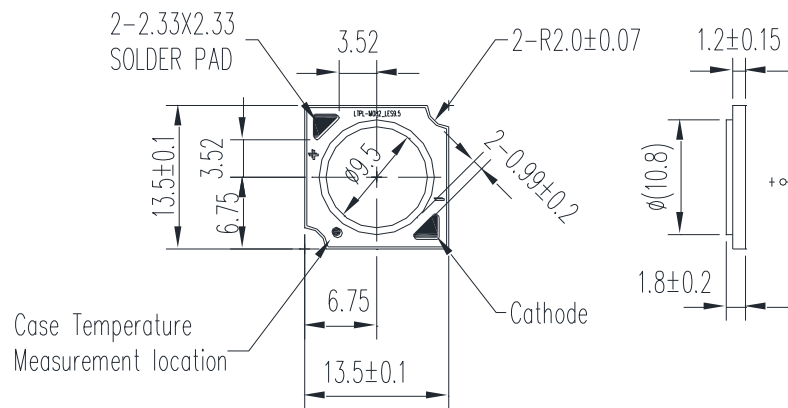
Product /Process Change Notification

LTPL-M08218ZS27-T0	→	LTPL-M08218ZS27-T0
LTPL-M08218ZS27-S1	→	LTPL-M08218ZS27-T0
LTPL-M08218ZS30-T0	→	LTPL-M08218ZS30-T0
LTPL-M08218ZS30-S1	→	LTPL-M08218ZS30-T0
LTPL-M08218ZS40-T0	→	LTPL-M08218ZS40-T0
LTPL-M08218ZS40-S1	→	LTPL-M08218ZS40-T0
LTPL-M08218ZS50-F1	→	LTPL-M08218ZS50-F1
LTPL-M08218ZS50-S1	→	LTPL-M08218ZS50-F1
LTPL-M08218ZS57-F1	→	LTPL-M08218ZS57-F1
LTPL-M08218ZS57-S1	→	LTPL-M08218ZS57-F1

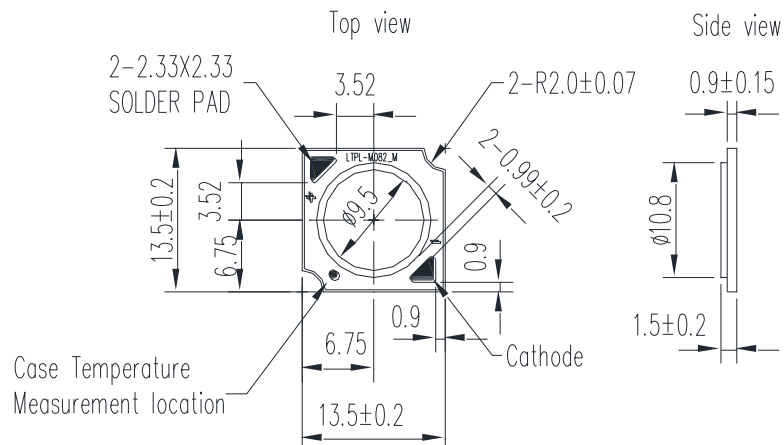
***Combine 5SDCM&ANSI spec.(-T0). into 3SDCM/5SDCM spec.(-T0/-F1)**

Dimension changed

Current dimension (PCB thickness=1.2mm)



New dimension (PCB thickness=0.9mm)



Product /Process Change Notification

Last-time Buy Date:

Last order acceptance to LITEON will be 30th/Nov, 2014.

Last-time Ship Date:

Last shipment of old-drawing M08 from LITEON Changzhou factory will be by 30th/Jan., 2015. After 30th/Jan., only new-drawing LTPL-M082 will be made and shipped.

Reason for Change:

1. Improve product performance and cost by both chip & PCB improvement.
2. Change dimension from current size (13.5mm(W)x13.5mm(L)x1.2mm(H)) to popular size (13.5mm(W)x13.5mm(L)x0.9mm(H)) which could share more lighting eco-system with downstream.

ALED LOB

PM Jayden Chou

Jayden.Chou@liteon.com

Tel: +886-2-22226181 ext: 2573

LiteOn CoB (Chip on Board) series Product change Notice - Appendix I: Part Number affected & results

*All specific Color and Flux demand will be controlled by CSC.

**Part Number in red fronts will not be in the product line-up, only RDR of decent demand (MOQ>3K) will be accepted.

LTPL-M08206 series								Product Availability (Date)
Origin Part number	Color Bin	Flux Bin		Combined Part number	Color Bin	Flux Bin		
2700K	LTPL-M08206ZS27-T0 LTPL-M08206ZS27-S1	3SDCM 5SDCM,ANSI	± 8%Lm ±15%Lm	➡	2700K LTPL-M08206ZS27-T0	3SDCM / 5SDCM / ANSI	-15%~-8% / ± 8%Lm / +8%~+15%	2014.12.30
3000K	LTPL-M08206ZS30-T0 LTPL-M08206ZS30-S1	3SDCM 5SDCM+ANSI	± 8%Lm ±15%Lm	➡	3000K LTPL-M08206ZS30-T0	3SDCM / 5SDCM / ANSI	-15%~-8% / ± 8%Lm / +8%~+15%	2014.12.30
4000K	LTPL-M08206ZS40-T0 LTPL-M08206ZS40-S1	3SDCM 5SDCM+ANSI	± 8%Lm ±15%Lm	➡	4000K LTPL-M08206ZS40-T0	3SDCM / 5SDCM / ANSI	-15%~-8% / ± 8%Lm / +8%~+15%	2014.12.30
** 5000K	LTPL-M08206ZS50-F1 LTPL-M08206ZS50-S1	5SDCM ANSI	±15%Lm ±15%Lm	➡	5000K LTPL-M08206ZS50-F1	5SDCM / ANSI	-15%~-8% / ± 8%Lm / +8%~+15%	2014.12.30
** 5700K	LTPL-M08206ZS57-F1 LTPL-M08206ZS57-S1	5SDCM ANSI	±15%Lm ±15%Lm	➡	5700K LTPL-M08206ZS57-F1	5SDCM / ANSI	-15%~-8% / ± 8%Lm / +8%~+15%	2014.12.30
LTPL-M08210 series								Product Availability (Date)
Origin Part number	Color Bin	Flux Bin		Combined Part number	Color Bin	Flux Bin		
2700K	LTPL-M08210ZS27-T0 LTPL-M08210ZS27-S1	3SDCM 5SDCM,ANSI	± 8%Lm ±15%Lm	➡	2700K LTPL-M08210ZS27-T0	3SDCM / 5SDCM / ANSI	-15%~-8% / ± 8%Lm / +8%~+15%	2014.12.30
3000K	LTPL-M08210ZS30-T0 LTPL-M08210ZS30-S1	3SDCM 5SDCM+ANSI	± 8%Lm ±15%Lm	➡	3000K LTPL-M08210ZS30-T0	3SDCM / 5SDCM / ANSI	-15%~-8% / ± 8%Lm / +8%~+15%	2014.12.30
4000K	LTPL-M08210ZS40-T0 LTPL-M08210ZS40-S1	3SDCM 5SDCM+ANSI	± 8%Lm ±15%Lm	➡	4000K LTPL-M08210ZS40-T0	3SDCM / 5SDCM / ANSI	-15%~-8% / ± 8%Lm / +8%~+15%	2014.12.30
** 5000K	LTPL-M08210ZS50-F1 LTPL-M08210ZS50-S1	5SDCM ANSI	±15%Lm ±15%Lm	➡	5000K LTPL-M08210ZS50-F1	5SDCM / ANSI	-15%~-8% / ± 8%Lm / +8%~+15%	2014.12.30
** 5700K	LTPL-M08210ZS57-F1 LTPL-M08210ZS57-S1	5SDCM ANSI	±15%Lm ±15%Lm	➡	5700K LTPL-M08210ZS57-F1	5SDCM / ANSI	-15%~-8% / ± 8%Lm / +8%~+15%	2014.12.30
LTPL-M08218 series								Product Availability (Date)
Origin Part number	Color Bin	Flux Bin		Combined Part number	Color Bin	Flux Bin		
2700K	LTPL-M08218ZS27-T0 LTPL-M08218ZS27-S1	3SDCM 5SDCM,ANSI	± 8%Lm ±15%Lm	➡	2700K LTPL-M08218ZS27-T0	3SDCM / 5SDCM / ANSI	-15%~-8% / ± 8%Lm / +8%~+15%	2014.12.30
3000K	LTPL-M08218ZS30-T0 LTPL-M08218ZS30-S1	3SDCM 5SDCM+ANSI	± 8%Lm ±15%Lm	➡	3000K LTPL-M08218ZS30-T0	3SDCM / 5SDCM / ANSI	-15%~-8% / ± 8%Lm / +8%~+15%	2014.12.30
4000K	LTPL-M08218ZS40-T0 LTPL-M08218ZS40-S1	3SDCM 5SDCM+ANSI	± 8%Lm ±15%Lm	➡	4000K LTPL-M08218ZS40-T0	3SDCM / 5SDCM / ANSI	-15%~-8% / ± 8%Lm / +8%~+15%	2014.12.30
** 5000K	LTPL-M08218ZS50-F1 LTPL-M08218ZS50-S1	5SDCM ANSI	±15%Lm ±15%Lm	➡	5000K LTPL-M08218ZS50-F1	5SDCM / ANSI	-15%~-8% / ± 8%Lm / +8%~+15%	2014.12.30
** 5700K	LTPL-M08218ZS57-F1 LTPL-M08218ZS57-S1	5SDCM ANSI	±15%Lm ±15%Lm	➡	5700K LTPL-M08218ZS57-F1	5SDCM / ANSI	-15%~-8% / ± 8%Lm / +8%~+15%	2014.12.30