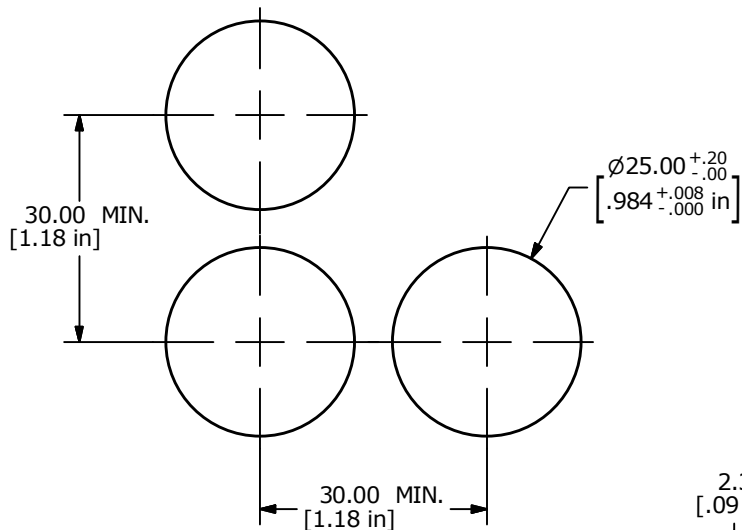
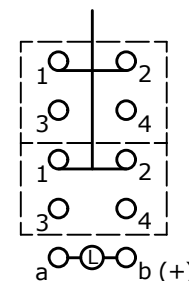
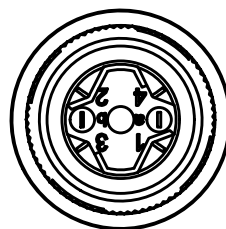
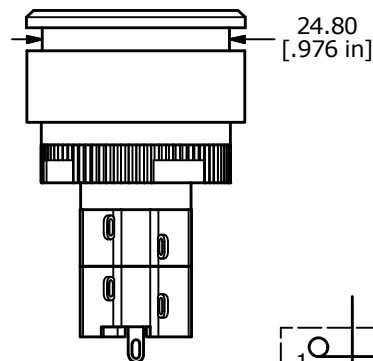
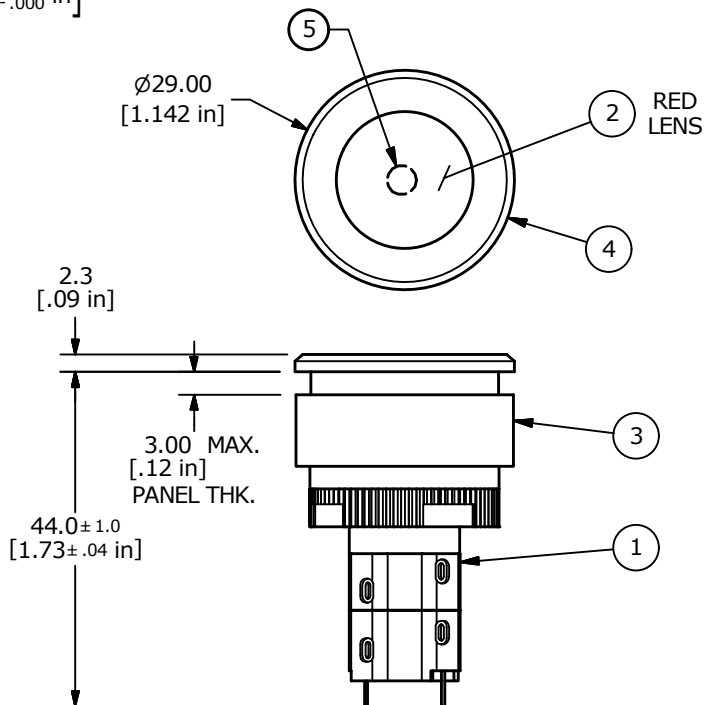


▲ Parts List

ITEM	QTY	PART NUMBER	DESCRIPTION
1	1	F060603	LASEEV12
2	1	F060204	25mm RED LENS
3	1	F051705	29mm FLUSH MOUNT RETAINER
4	1	F051704	29mm FLUSH MOUNT BEZEL
5	1	F050417	LED 6VDC RED



RECOMMENDED PANEL MOUNTING



▲ DPDT CONTACT CONFIGURATION

- NOTES:
1. ALL DIMENSIONS IN MM [INCH].
 2. GENERAL TOLERANCE: X.X = ± 0.4
X.XX = ± 0.25
 3. TERM. NOS. FOR REF. ONLY.
 4. RATING: 5A @250VAC
8A @125VAC
2A @250VDC
6A @24VDC
 5. INSULATION: 1,000 MΩ MIN.
 6. DIELETRIC STRENGTH: 2000V FOR 1 MIN.
 7. SEALED TO IP65.
 8. TRAVEL: 3.0mm FULL TRAVEL, 2.0mm LATCH
 9. ELECTRICAL LIFE: >50,000 CYCLES
 10. OPERATING TEMP: -25C to +55C
 11. PANEL THICKNESS: 0.5mm to 3.0mm
 - ▲ 12. LAMP VOLTAGE: LED 6V DC RED
 - ▲ 13. ▲ DENOTES CRITICAL PARAMETER.
 14. PACKAGE: BOX/10 PCS PER.



C	23586	update Bezel dia. to 29.00mm	10/2/18	MW
B	17552	REVISED AND REDRAWN	8/13/07	BF
REV	PCR NO	DESCRIPTION	DATE	BY

TITLE LASEEV32HREDRED				
SCALE 1:1	DATE 8/13/2007	DR BF	DWG XF0732P	REV C

THE INFORMATION CONTAINED IN THIS DOCUMENT IS PROPRIETARY TO E-SWITCH AND IS NOT TO BE COPIED OR TRANSFERRED