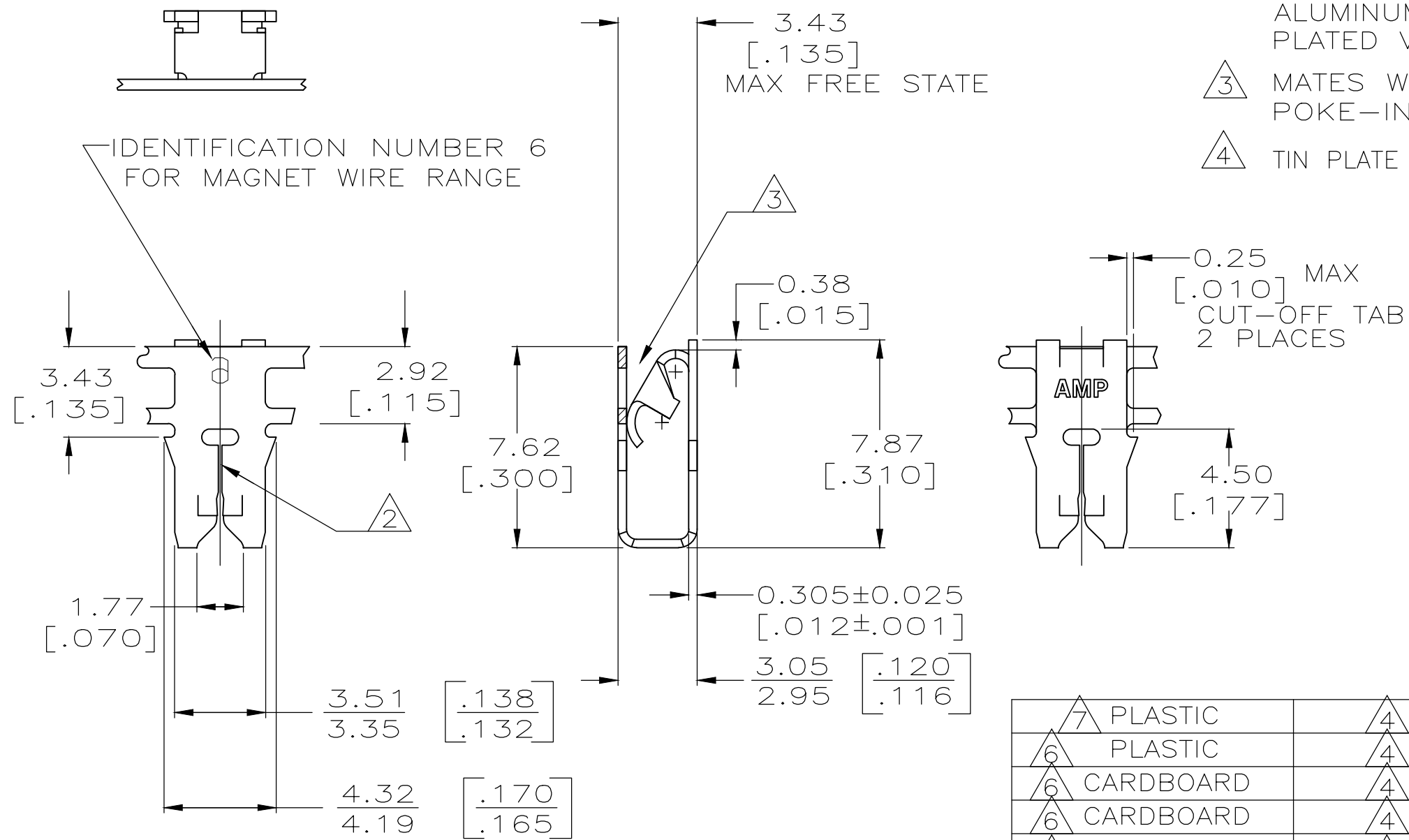


THIS DRAWING IS UNPUBLISHED. RELEASED FOR PUBLICATION
 © COPYRIGHT - By - ALL RIGHTS RESERVED.

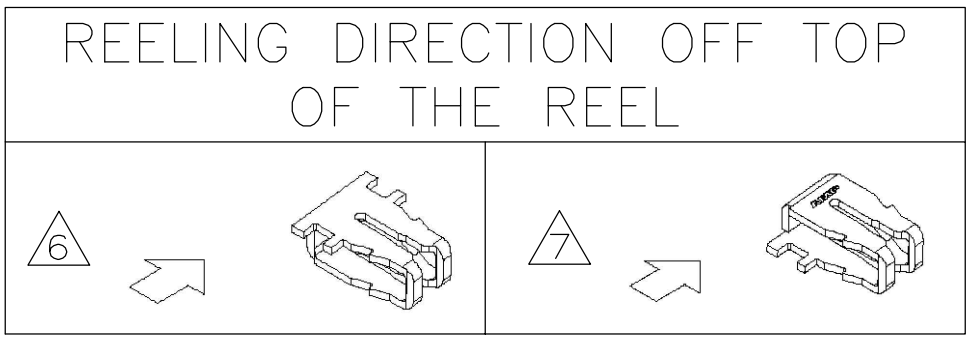
LOC	DIST	REVISIONS					
		P	LTR	DESCRIPTION	DATE	DWN	APVD
AF	50		J3	REVISED PER ECR-18-014081	21SEP2018	BDA	SV

- 1 CONTINUOUS STRIP ON REELS WITH TERMINALS LOCATED ON 5.59 [.220] CENTERS.
- 2 SLOT ACCEPTS 0.25-0.36mm [#30-#27] AWG COPPER MAGNET WIRE.
SLOT ACCEPTS 0.32-0.45mm [#28-#25] AWG ALUMINUM MAGNET WIRE.
ALUMINUM WIRE RANGE APPLIES FOR POST-TIN PLATED VERSIONS ONLY.
- 3 MATES WITH STANDARD MAG-MATE STYLED POKE-IN TAB TERMINAL.
- 4 TIN PLATE



IDENTIFICATION NUMBER 6 FOR MAGNET WIRE RANGE

7	PLASTIC	4	H04 PHOS. BRONZE	63590-5
6	PLASTIC	4	H04 PHOS. BRONZE	63590-4
6	CARDBOARD	4	H04 PHOS. BRONZE	63590-3
6	CARDBOARD	4	4M BRASS	63590-2
6	CARDBOARD	4	4M BRASS	63590-1
REELING		FINISH	MATERIAL	PART NO



THIS DRAWING IS A CONTROLLED DOCUMENT.

DIMENSIONS: MM [INCHES]	TOLERANCES UNLESS OTHERWISE SPECIFIED:	DWN 7/30/90 MICHAEL S. FEHER	TE Connectivity
		CHK 7/30/90 JEFF R. RUTH	
		APVD 7/30/90 DONALD F. DECKER	NAME SPECIAL LEAF CONTACT, 300 SERIES MAG-MATE
		PRODUCT SPEC 108-2012	SIZE A3
		APPLICATION SPEC 114-2046	CAGE CODE 00779
MATERIAL SEE TABLE	FINISH SEE TABLE	WEIGHT -	DRAWING NO C-63590
CUSTOMER DRAWING			RESTRICTED TO -
			SCALE 5:1
			SHEET 1 OF 1
			REV J3