

- 1
- 2
- 3
- 4
- 5
- 6
- 7
- 8
- 9
- 10
- 11
- 12
- 13
- 14
- 15
- 16
- 17
- 18

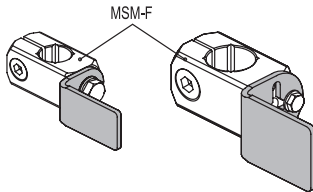
MATERIAL

Sandblasted AISI 304 stainless steel, matte finish.

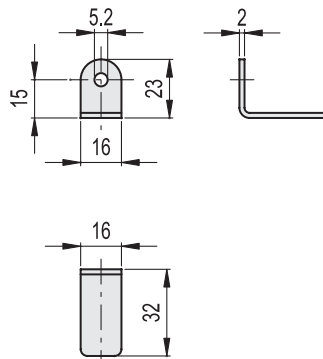
FEATURES AND APPLICATIONS

In MSM-LA-30 sensor holders, the cross-shaped hole provides a more precise regulation for fixing to connecting clamps type MSM-F (see page 919) and it also allows the use of two clamping screws.

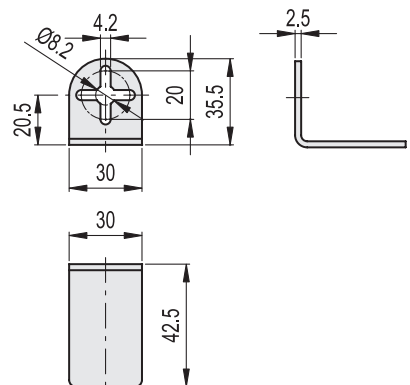
MSM-LB connecting plates are designed as universal elements which allow to customise the hole fixing for assembling with specific profile devices.



MSM-LB-16



MSM-LB-30



Levelling feet and supports

Code	Description	△
500381	MSM-LB-16	9
500383	MSM-LB-30	26