

Link for paralleling With connecting terminal, 4-pole 3RT2.1, 3RT2.2 with screw terminal

General technical data		
product brand name		SIRIUS
product designation		Infeed terminal
design of the product		Parallel switching connection for contactors S00
size of contactor		S00
Installation/ mounting/ dimensions		
fastening method		screw fixing
Certificates/ approvals		
General Product Approval	EMC	Declaration of Conformity



[Confirmation](#)



EG-Konf.



Test Certificates	Marine / Shipping	other
-------------------	-------------------	-------

[Special Test Certificate](#)



ABS



PRS



RINA



DNV-GL

[Confirmation](#)

other	Railway
-------	---------

[Miscellaneous](#)

[Vibration and Shock](#)

[Special Test Certificate](#)

### Further information

Information- and Downloadcenter (Catalogs, Brochures,...)

<https://www.siemens.com/ic10>

Industry Mall (Online ordering system)

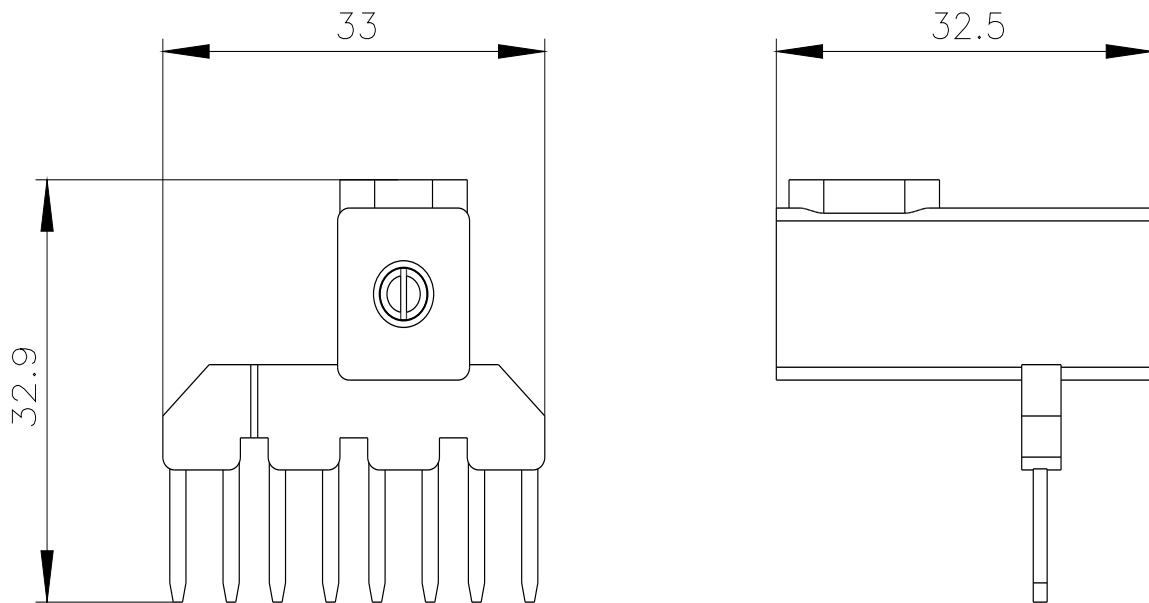
<https://mall.industry.siemens.com/mall/en/en/Catalog/product?mfb=3RT1916-4BB41>

Cax online generator

<http://support.automation.siemens.com/WW/CAXorder/default.aspx?lang=en&mfb=3RT1916-4BB41>

Service&Support (Manuals, Certificates, Characteristics, FAQs,...)

<https://support.industry.siemens.com/cs/ww/en/ps/3RT1916-4BB41>



last modified:

12/23/2020 