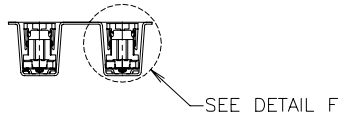
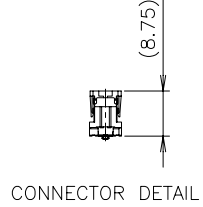
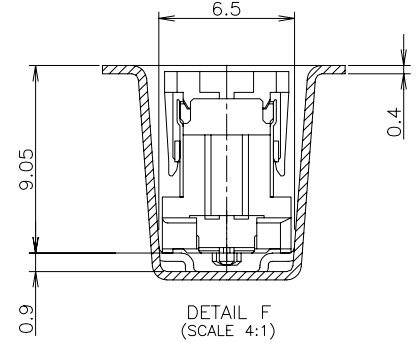
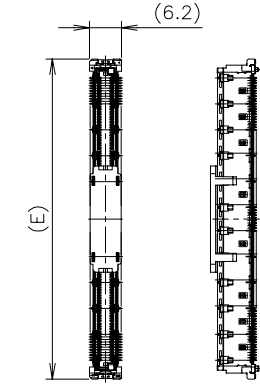
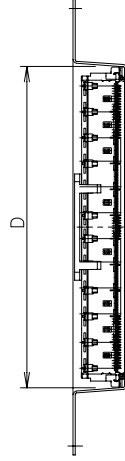
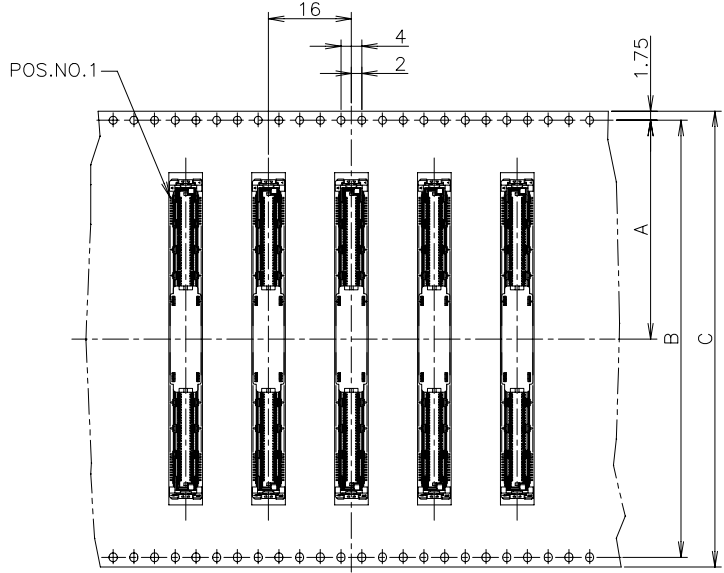
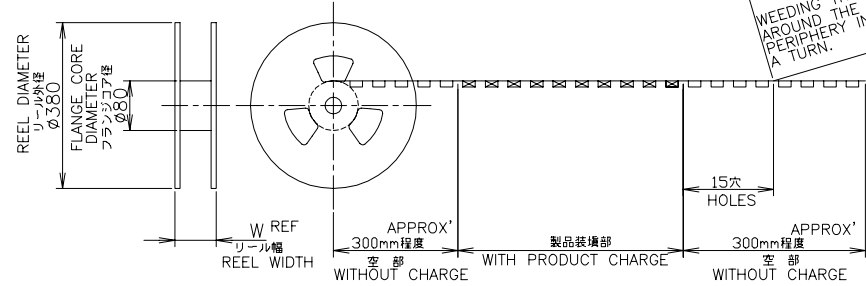


REVISIONS				
P	LTR	DESCRIPTION	DATE	DWN APVD
	A1	ECN-21-114380:ADD MATED CONDITION	31AUG2021	A.L H.L

リール引出し方向
DIRECTION OFF TOP OF REEL



カバーテープ
リッター部
外周一巻
WEEDING THE COVER TAPE
AROUND THE OUTER
PERIPHERY IN
A TURN.



YES Δ	400	59.5	57.7	57.1	54.5	95	61.8	62.1	88	84.4	42.25	220	BLACK	8-2040713-6
NO	400	59.5	57.7	57.1	54.5	95	61.8	62.1	88	84.4	42.25	220	BLACK	3-2040713-6
SEALANT	QTY	T	S	P	N	W	E	D	C	B	A	POS.	HSG COLOR	PART NO.

THIS DRAWING IS A CONTROLLED DOCUMENT.

DWN Y.NAKAZAWA 12MAR2008	TE Connectivity Ltd. EMBOSS ASSY FH 0.5BTB CONNECTOR 220 POS PLUG 8H WITH GROUND PLATE AND CAP
CHK T.FUTATSUGI 12MAR2008	
APVD T.FUTATSUGI 12MAR2008	NAME 名称
PRODUCT SPEC 製品規格 108-5560	SIZE A3
APPLICATION SPEC 取付適用規格	CAGE CODE 00779
WEIGHT	DRAWING NO 番号 G=2040713
MATERIAL 材料	RESTRICTED TO
FINISH 仕上	SCALE 尺度 1:1
	SHEET 1 OF 3
	REV A1

CUSTOMER DRAWING

4 3 2 1

© 2008 TE Connectivity. All Rights Reserved.

REVISIONS					
變更					
P	LTR	DESCRIPTION	DATE	DWN	APVD
-	-	SEE SHEET 1	-	-	-

H-H
(SIGNAL POSITION)

G-G
(GROUND POSITION)

PLUG CONNECTOR
P/N: *-2040713-*

REC CONNECTOR
P/N: *-2040714-*

① FULL-MATED CONDITION

⚠ MATERIAL; HOUSING: HIGH TEMP THERMO PLASTIC UL94V-0
CONTACT: COPPER ALLOY
SOLDER PEG: COPPER ALLOY

⚠ FINISH ; SIGNAL CONTACT: UNDER PL Ni 0.0013mm MIN ALL OVER.
CONTACT AREA 0.00076mm MIN Au PL.
SOLDERING AREA 0.001mm MIN TIN PL.

GROUND CONTACT: UNDER PL Ni 0.0013mm MIN ALL OVER.
CONTACT AREA 0.00076mm MIN Au PL.
SOLDERING AREA 0.001mm MIN TIN PL.

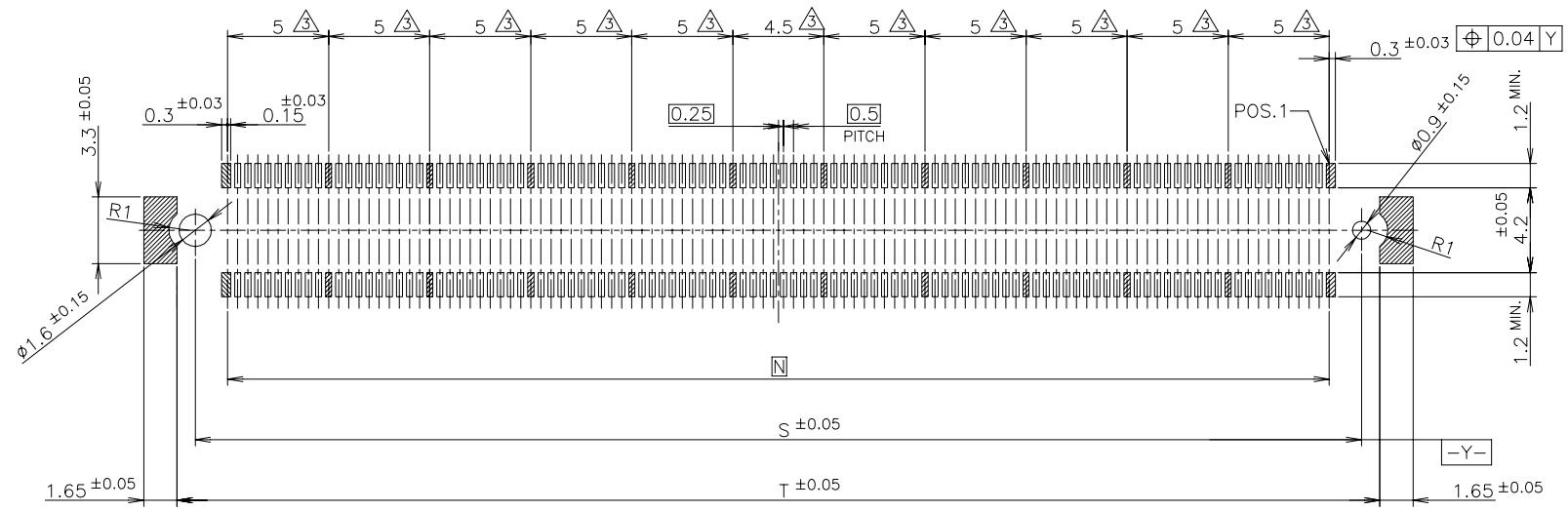
SOLDER PEG: 0.001mm MIN TIN PL. OVER
0.0013mm MIN Ni PL ALL OVER.

⚠ THIS POSITION IS GROUND CIRCUIT.
⚠ THIS PRODUCT WAS COATED BY FLUX-PENETRATION-INHIBITING AGENT.

THIS DRAWING IS A CONTROLLED DOCUMENT.		DWN	TE TE Connectivity Ltd.	
		CHK		
DIMENSIONS: 單位: 耗 mm	TOLERANCES UNLESS OTHERWISE SPECIFIED: 一般公差	APVD	NAME 名稱	
	0 PLC ± 0.3	PRODUCT SPEC 製品規格	EMBOSS ASSY	
	1 PLC ± 0.3	APPLICATION SPEC 取付適用規格	FH 0.5BTB CONNECTOR 220 POS PLUG 8H WITH GROUND PLATE AND CAP	
MATERIAL 材料	FINISH 仕上	WEIGHT	SIZE A3	CAGE CODE 00779
		CUSTOMER DRAWING	DRAWING NO 番号 G=2040713	RESTRICTED TO
			SCALE 尺度 4:1	SHEET 2 OF 3
				REV A1

1470-19 (1/15)

REVISIONS					
P	LTR	DESCRIPTION	DATE	DWN	APVD
-	-	SEE SHEET 1	-	-	-



REFERENCE P.C. BOARD LAYOUT

THIS DRAWING IS A CONTROLLED DOCUMENT.		DWN	STE TE Connectivity Ltd.	
DIMENSIONS: 單位: 耗 mm		CHK		
TOLERANCES UNLESS OTHERWISE SPECIFIED: 一般公差		APVD	NAME 名稱	
0 PLC ± 0.3 1 PLC ± 0.3 2 PLC ± 0.3 3 PLC ± 0.3 4 PLC ± 0.3 ANGLES ± 3°		PRODUCT SPEC 製品規格	EMBOSS ASSY FH 0.5BTB CONNECTOR 220 POS PLUG 8H WITH GROUND PLATE AND CAP	
MATERIAL 材料		APPLICATION SPEC 取付適用規格	SIZE A3	CAGE CODE 00779
FINISH 仕上		WEIGHT	DRAWING NO. 番号 G=2040713	RESTRICTED TO
		CUSTOMER DRAWING	SCALE 尺度 4:1	SHEET 3 OF 3
				REV A1