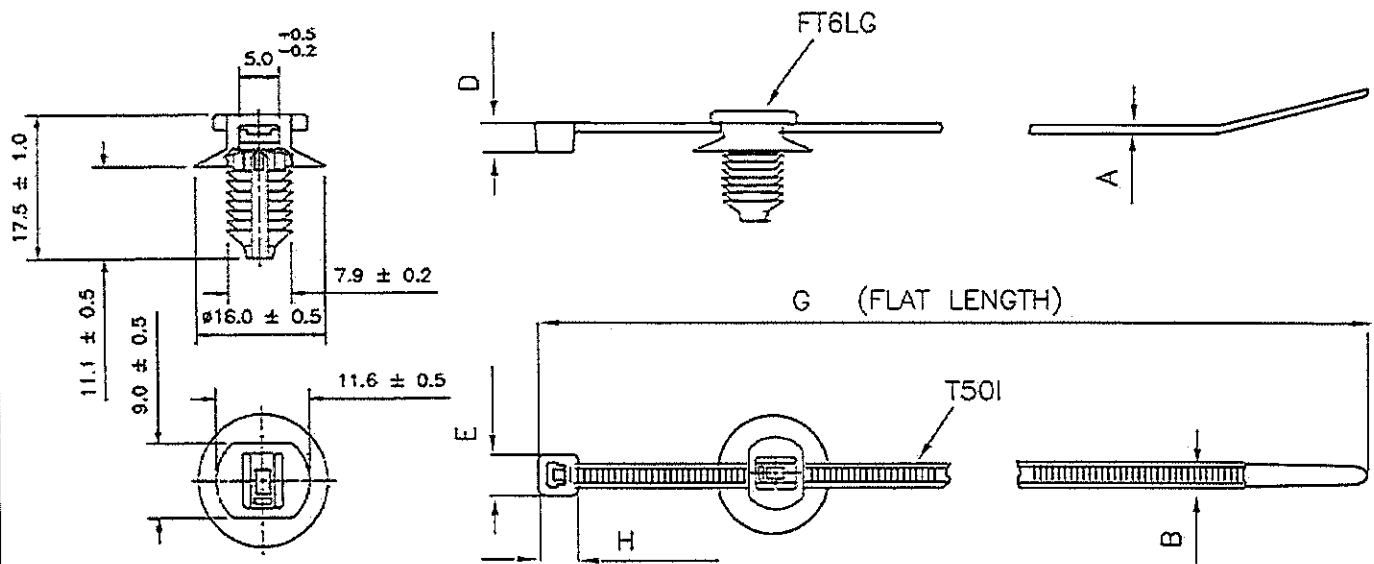




| Revision level | | Revision Record | Changed | Date | Approved | Date |
|----------------|---------|------------------------|-----------|----------|------------|----------|
| Part | Drawing | | | | | |
| | 01 | Remove bundle diameter | Mandy Ong | 28/01/09 | Edward Tan | 28/01/09 |



| A | B | D | E | G | H |
|-----------|-----------|-----------|-----------|-------------|-----------|
| 1.2 ± 0.2 | 4.6 ± 0.2 | 5.7 ± 0.4 | 7.5 ± 0.7 | 300.0 ± 6.0 | 7.2 ± 0.7 |

Hole size (mm)
6.5 to 7.0 ± 0.1

Panel thickness (mm)
0.75 to 6.0

Tensile strength
225N

Material P.A. 66

Dimension without tolerances details to:
DIN 16901

Tolerances

PERFORMANCE SPECIFICATION

The copyright of this drawing is reserved by HELLERMANN TYTON. It is issued on condition that it is not reproduced, copied or disclosed to a third party, either wholly or in part, without the consent of HELLERMANN TYTON.

Drawn MANDY ONG 01/09/08
Approved. EDWARD TAN 01/09/08

HellermannTyton
545, Yishun Industrial Park A
Yishun Avenue 7
Singapore 768741
Tel: (+65) 6852 8585
Fax: (+65) 6756 6798

Scale: not to scale Reference:
Title T50IFT6LG

Drawing-No SG08023-01

Format A4
Sheet 1 of 1

Uncontrolled Document