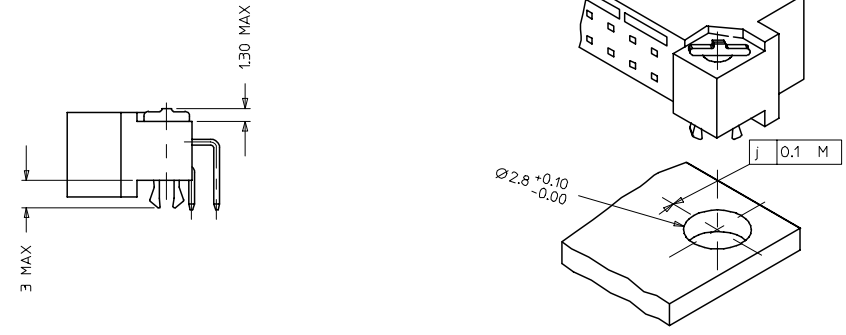


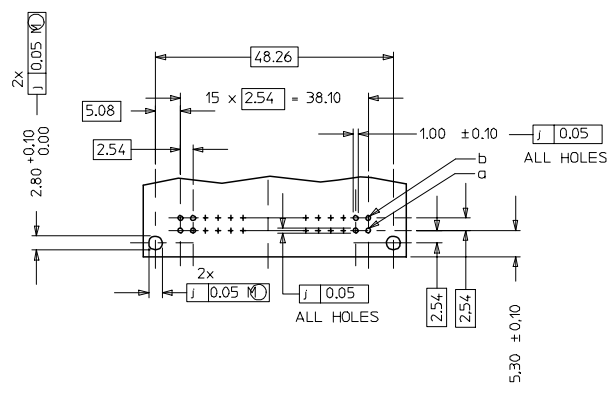
WITH MOUNTING CLIPS

8:1



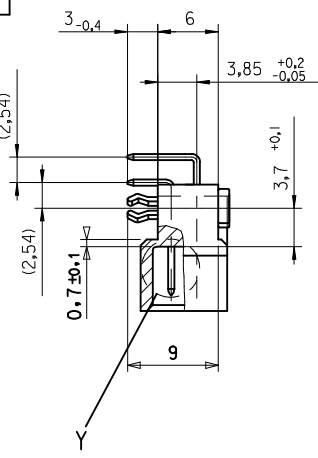
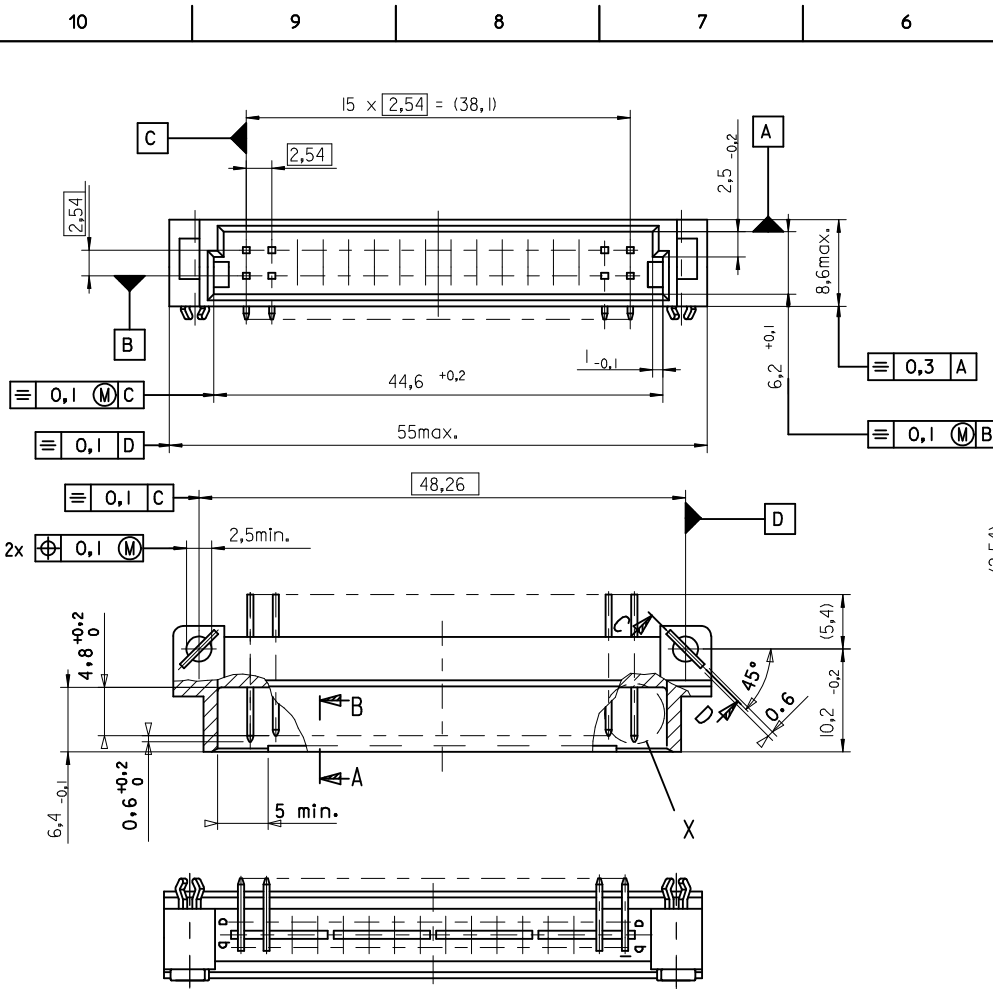
- NOTES:
- MATERIALS: THERMOPLASTIC POLYESTER, GLASS FILLED, UL94V-0
 COLOUR: PEBBLE GREY, RAL 7032
 TERMINAL - BRASS
 MOUNTING CLIP: STEEL
 - FINISH: TERMINAL-
 CONTACT AREA
 1. PERFORMANCE LEVEL 1: SELECTIVE GOLD (Au), THICKNESS = 1.1 MICROMETER
 OVER NICKEL, THICKNESS = 1.25 MICROMETER
 2. PERFORMANCE LEVEL 2: SELECTIVE GOLD (Au), THICKNESS = 0.6 MICROMETER
 OVER NICKEL, THICKNESS = 1.25 MICROMETER
 3. PERFORMANCE LEVEL 3: SELECTIVE GOLD (Au), THICKNESS = 0.3 MICROMETER
 OVER NICKEL, THICKNESS = 1.25 MICROMETER
 TERMINATION AREA:
 SELECTIVE TIN, THICKNESS = 2.5 MICROMETER
 OVER NICKEL, THICKNESS = 1.25 MICROMETER OVERALL
 - MOUNTING CLIP:-
 TIN (Sn), THICKNESS = 5-10 MICROMETER,
 OVER NICKEL (Ni), THICKNESS = 2.5 MICROMETER
 - FOR NON MOUNTING CLIP OPTION, CONNECTOR TO BE SECURED WITH
 RIVETS: 2 TUBULAR RIVETS 2.5 x 0.3 ... DIN 7340
 SCREWS: 2 CHEESEHEAD SCREWS M2.5 x ... DIN 84 AND 2 HEXAGONAL NUTS M2.5 DIN 934
 - STANDARD MARKING: MOLEX, MATERIAL NUMBER, BATCH CODE
 - CUT FACES OF TIP WITHOUT PLATING IS PERMITTED
 - PRODUCT SPECIFICATION PS : 85003-0001

RECOMMENDED PCB LAYOUT
COMPONENT SIDE

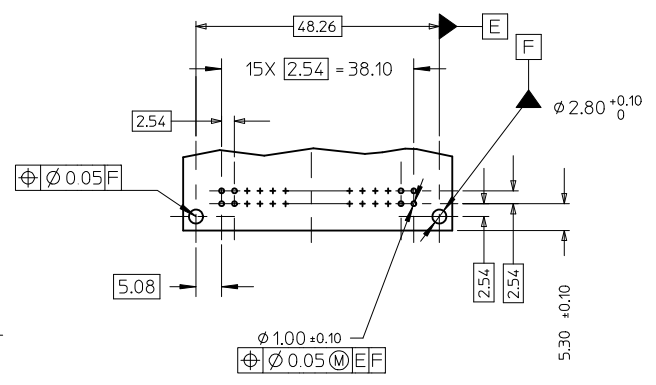


RoHS COMPLIANT

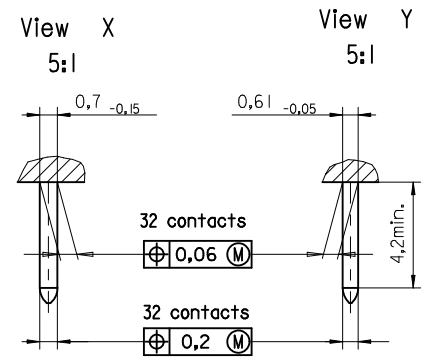
ENTER DESCRIPTION ELC.MC.12007-0193 DRAWING NO. 2007/01/08 CHKD/SUBDR 2007/01/08 APPR/PRA/SR 2007/01/09	QUALITY SYMBOLS ▽=0 ▽=0	GENERAL TOLERANCES (UNLESS SPECIFIED)		DIMENSION STYLE MM ONLY	SCALE 2:1	DESIGN UNITS METRIC	THIRD ANGLE PROJECTION																										
		<table border="1"> <tr> <th>mm</th> <th>INCH</th> </tr> <tr> <td>4 PLACES ± ---</td> <td>± ---</td> </tr> <tr> <td>3 PLACES ± 0.05</td> <td>± ---</td> </tr> <tr> <td>2 PLACES ± 0.1</td> <td>± ---</td> </tr> <tr> <td>1 PLACE ± 0.15</td> <td>± ---</td> </tr> </table>	mm	INCH	4 PLACES ± ---	± ---	3 PLACES ± 0.05	± ---	2 PLACES ± 0.1	± ---	1 PLACE ± 0.15	± ---	<table border="1"> <tr> <th>DRAWN BY</th> <th>DATE</th> <th>TITLE</th> </tr> <tr> <td>NS</td> <td>2001/04/02</td> <td>ASSEMBLY, DIN 41612 B/2 MALE 32 POS</td> </tr> <tr> <th>CHECKED BY</th> <th>DATE</th> <td></td> </tr> <tr> <td>G.J.LOWE</td> <td>2001/04/02</td> <td></td> </tr> <tr> <th>APPROVED BY</th> <th>DATE</th> <td></td> </tr> <tr> <td>G.J.LOWE</td> <td>2001/04/02</td> <td></td> </tr> </table>	DRAWN BY	DATE	TITLE	NS	2001/04/02	ASSEMBLY, DIN 41612 B/2 MALE 32 POS	CHECKED BY	DATE		G.J.LOWE	2001/04/02		APPROVED BY	DATE		G.J.LOWE	2001/04/02		MATERIAL NO. SEE CHART	
mm	INCH																																
4 PLACES ± ---	± ---																																
3 PLACES ± 0.05	± ---																																
2 PLACES ± 0.1	± ---																																
1 PLACE ± 0.15	± ---																																
DRAWN BY	DATE	TITLE																															
NS	2001/04/02	ASSEMBLY, DIN 41612 B/2 MALE 32 POS																															
CHECKED BY	DATE																																
G.J.LOWE	2001/04/02																																
APPROVED BY	DATE																																
G.J.LOWE	2001/04/02																																
DRAFT WHERE APPLICABLE MUST REMAIN WITHIN DIMENSIONS		THIS DRAWING CONTAINS INFORMATION THAT IS PROPRIETARY TO MOLEX INCORPORATED AND SHOULD NOT BE USED WITHOUT WRITTEN PERMISSION																															



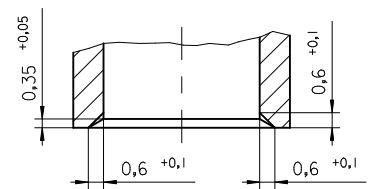
RECOMMENDED PCB LAYOUT
COMPONENT SIDE



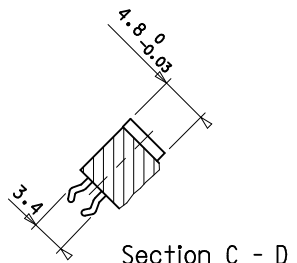
RECOMMENDED PCB THICKNESS - 1.6MM



Section A - B
5:1



Section C - D



ENTER DESCRIPTION EC NO: 12011-0346 DRWN: VUTTARKAR 2011/08/31 CHKD: KRASAD APPR: KRASAD 2011/09/02	QUALITY SYMBOLS $\nabla_{F/A} = 0$ $\nabla_{F/C} = 0$ $\nabla_{F/B} = 0$	GENERAL TOLERANCES (UNLESS SPECIFIED)		DIMENSION STYLE MM ONLY	SCALE METRIC	DESIGN UNITS METRIC	FIRST ANGLE PROJECTION		
		mm	INCH	DRAWN BY VUTTARKAR	DATE	TITLE			
		4 PLACES	± ---	± ---	CHECKED BY KRASAD	DATE	32POS. MALE CONNECTOR ACC. DIN 41612 STYLE B/2 DIMENSIONS		
		3 PLACES	± ---	± ---	APPROVED BY KRASAD	DATE	MOLEX INCORPORATED		
2 PLACES	± ---	± ---	ANGULAR ± ---°		MATERIAL NO.	DOCUMENT NO.	SHEET NO.		
1 PLACE	± ---	± ---	DRAFT WHERE APPLICABLE MUST REMAIN WITHIN DIMENSIONS		---	SDA-85001-0002	1 OF 01		
		SIZE	THIS DRAWING CONTAINS INFORMATION THAT IS PROPRIETARY TO MOLEX INCORPORATED AND SHOULD NOT BE USED WITHOUT WRITTEN PERMISSION						

VIEW ON MATING SIDE

∞	B	B	B	B	B	B	B	B	B
∞	A	A	A	A	A	A	A	A	A

0 1 2 3 4 5 6 7 8 9 0 1 2 3 4 5 6 7 8 9 0 1 2

A = 8 STANDARD CONTACTS L=3

B = 8 STANDARD CONTACTS L=3

S = 16 TOTAL NUMBER OF CONTACTS

Marking	Standard
Performance level	G2/0 = Contact area level2 / Termination tin
Flux proof	no
Fixing clip	no
Dimensions	SDA-85001-0002 sht.1
Technical Data	PS-85003-0001

B	G2/0
A	G2/0
Performance level	Perform.
Contact symbol	level
	Contact position number

REVISIONS see ECN No. 2204 96/07/18 Cd	LTR	FOR PREVIOUS REVISIONS SEE MRI LIST	UNLESS OTHERWISE SPECIFIED TOLERANCES: ANGULAR \pm 2° INCH <table border="1" style="width: 100%;"> <tr> <td>3 PLACE</td> <td>\pm</td> <td>.</td> <td>\pm</td> </tr> <tr> <td>2 PLACE</td> <td>\pm</td> <td>.</td> <td>\pm</td> </tr> <tr> <td>1 PLACE</td> <td>\pm</td> <td>.</td> <td>\pm</td> </tr> </table> DRAFT WHERE APPLICABLE MUST REMAIN WITHIN DIMENSIONS	3 PLACE	\pm	.	\pm	2 PLACE	\pm	.	\pm	1 PLACE	\pm	.	\pm	DRWG BY Cd CHK'D BY KN APP'D BY	SIGN SIGN SIGN	CAD/CAM PROJECT NAME s8500103 s71	REVISE ONLY ON CAD SYSTEM SH. REV.
3 PLACE	\pm	.	\pm																
2 PLACE	\pm	.	\pm																
1 PLACE	\pm	.	\pm																
			TITLE 32 pos. Male connector acc. DIN 41612 style B/2 contacts arrangement		SHEET NO. DATE 1 OF 1 95/05/23														
		DESIGN DIMENSION <input type="checkbox"/> MM <input type="checkbox"/> IN.		DWG NO. SDA-85001-0373															
		EQUIVALENT DIMENSION <input type="checkbox"/> MM <input type="checkbox"/> IN.		PART NO. 85001-0373															
		IF TWO DIMENSIONS ARE SHOWN, THE UPPER IS THE DESIGN DIMENSION, LOWER IS SECONDARY		MOLEX EUROPE SIZE A															