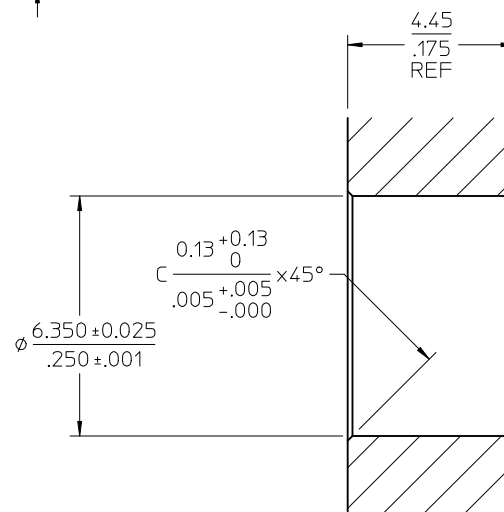
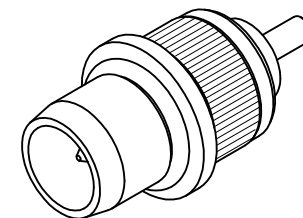
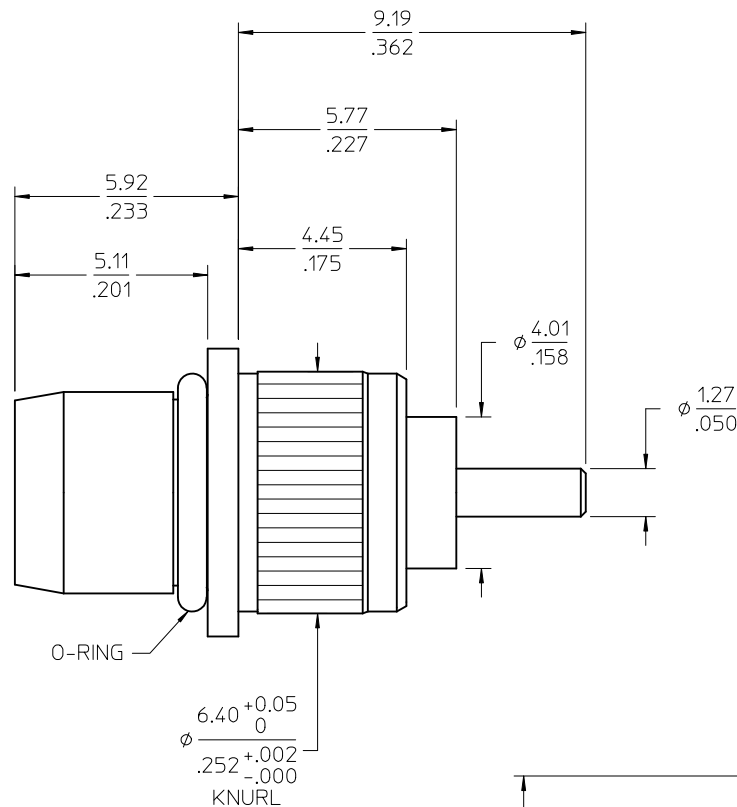
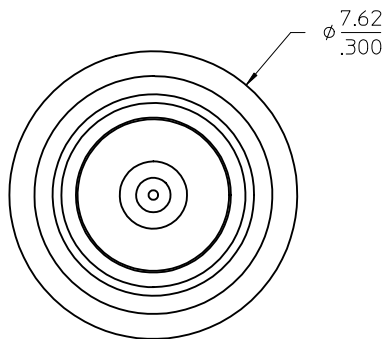


MATERIALS AND FINISHES

BODY: BRASS
PLATED NICKEL

CENTER CONTACT: BRASS
PLATED GOLD

INSULATOR: TEFLON



PART # 73298-0060

PS-89675-1840	PRODUCT SPECIFICATION
MIL-STD-348A, FIG. 321.1	INTERFACE
SPECIFICATION	DESCRIPTION

PANEL CUT-OUT

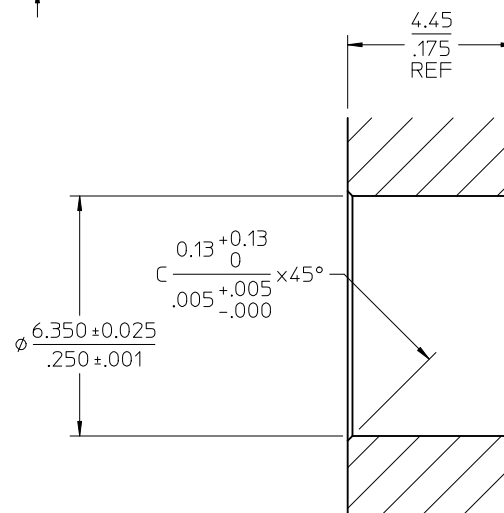
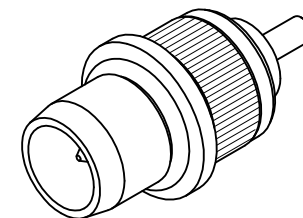
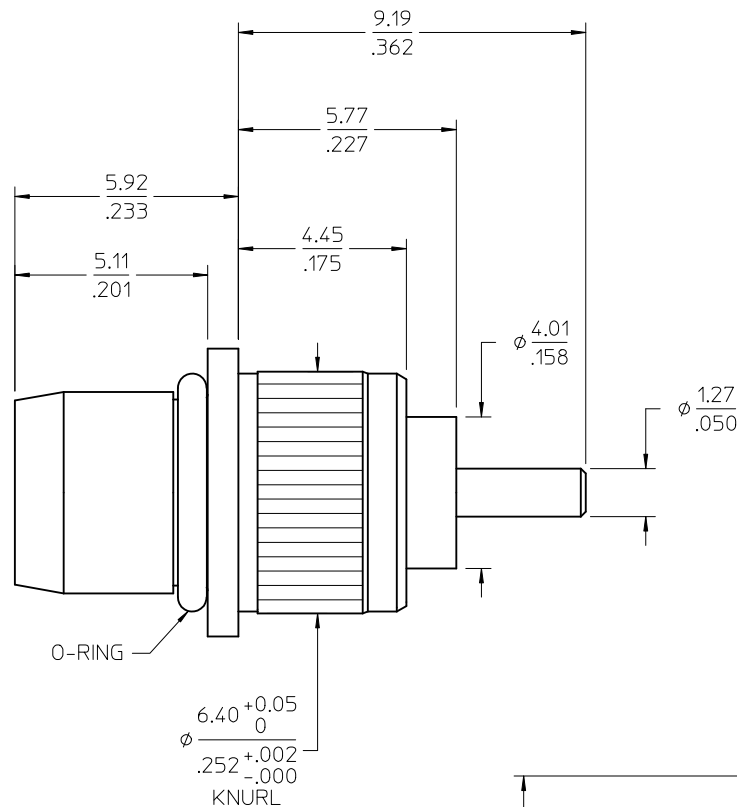
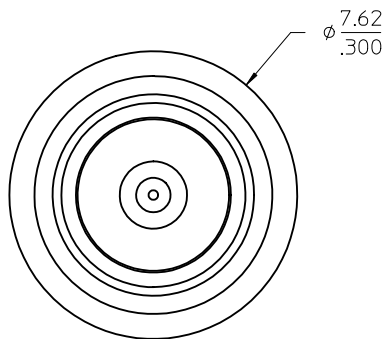
CHG: RELEASE DRAWING. EC NO: URF2012-0165 DRWN:ROBERTSON 2011/09/26 CHKD:SSS 2011/09/26 APPR:WIENER 2011/09/28	DESCRIPTION REV: A	QUALITY SYMBOLS ▽=0 ▽=0	GENERAL TOLERANCES (UNLESS SPECIFIED)	DIMENSION STYLE MM/IN	SCALE INCH	DESIGN UNITS INCH	THIRD ANGLE PROJECTION														
		<table border="1"> <tr> <th></th> <th>mm</th> <th>INCH</th> </tr> <tr> <td>4 PLACES</td> <td>± .005</td> <td>± .0005</td> </tr> <tr> <td>3 PLACES</td> <td>± .005</td> <td>± .0005</td> </tr> <tr> <td>2 PLACES</td> <td>± .005</td> <td>± .0005</td> </tr> <tr> <td>1 PLACE</td> <td>± .005</td> <td>± .0005</td> </tr> </table>		mm	INCH	4 PLACES	± .005	± .0005	3 PLACES	± .005	± .0005	2 PLACES	± .005	± .0005	1 PLACE	± .005	± .0005	DRAWN BY: JM DATE: 2006/02/15 CHECKED BY: JM DATE: 2006/02/15 APPROVED BY: JW WIENER DATE: 2011/09/28	TITLE: BMA PLUG VERTICAL PRESS-IN RECEPTACLE EWR-3018, BMA-PR MOLEX INCORPORATED		DOCUMENT NO. SD-73298-006 SHEET NO. 1 OF 1
			mm	INCH																	
		4 PLACES	± .005	± .0005																	
3 PLACES	± .005	± .0005																			
2 PLACES	± .005	± .0005																			
1 PLACE	± .005	± .0005																			
DRAFT WHERE APPLICABLE MUST REMAIN WITHIN DIMENSIONS			MATERIAL NO. 732980060 SIZE C	THIS DRAWING CONTAINS INFORMATION THAT IS PROPRIETARY TO MOLEX INCORPORATED AND SHOULD NOT BE USED WITHOUT WRITTEN PERMISSION																	
ANGLAR ± 2 °																					

MATERIALS AND FINISHES

BODY: BRASS
PLATED NICKEL

CENTER CONTACT: BRASS
PLATED GOLD

INSULATOR: TEFLON



PART # 73298-0060

PS-89675-1840	PRODUCT SPECIFICATION
MIL-STD-348A, FIG. 321.1	INTERFACE
SPECIFICATION	DESCRIPTION

PANEL CUT-OUT

CHG: RELEASE DRAWING. EC NO: URF2012-0165 DRWN:ROBERTSON 2011/09/26 CHKD:SSS 2011/09/26 APPR:WIENER 2011/09/28	DESCRIPTION REV: A	QUALITY SYMBOLS ▽=0 ▽=0	GENERAL TOLERANCES (UNLESS SPECIFIED)	DIMENSION STYLE MM/IN	SCALE INCH	DESIGN UNITS INCH	THIRD ANGLE PROJECTION														
		<table border="1"> <tr> <th></th> <th>mm</th> <th>INCH</th> </tr> <tr> <td>4 PLACES</td> <td>± .005</td> <td>± .0005</td> </tr> <tr> <td>3 PLACES</td> <td>± .005</td> <td>± .0005</td> </tr> <tr> <td>2 PLACES</td> <td>± .005</td> <td>± .0005</td> </tr> <tr> <td>1 PLACE</td> <td>± .005</td> <td>± .0005</td> </tr> </table>		mm	INCH	4 PLACES	± .005	± .0005	3 PLACES	± .005	± .0005	2 PLACES	± .005	± .0005	1 PLACE	± .005	± .0005	DRAWN BY: JM DATE: 2006/02/15 CHECKED BY: JM DATE: 2006/02/15 APPROVED BY: JW WIENER DATE: 2011/09/28	TITLE: BMA PLUG VERTICAL PRESS-IN RECEPTACLE EWR-3018, BMA-PR MOLEX INCORPORATED		DOCUMENT NO.: SD-73298-006 SHEET NO.: 1 OF 1
			mm	INCH																	
		4 PLACES	± .005	± .0005																	
3 PLACES	± .005	± .0005																			
2 PLACES	± .005	± .0005																			
1 PLACE	± .005	± .0005																			
DRAFT WHERE APPLICABLE MUST REMAIN WITHIN DIMENSIONS			MATERIAL NO.: 732980060 SIZE: C	THIS DRAWING CONTAINS INFORMATION THAT IS PROPRIETARY TO MOLEX INCORPORATED AND SHOULD NOT BE USED WITHOUT WRITTEN PERMISSION																	
A																					