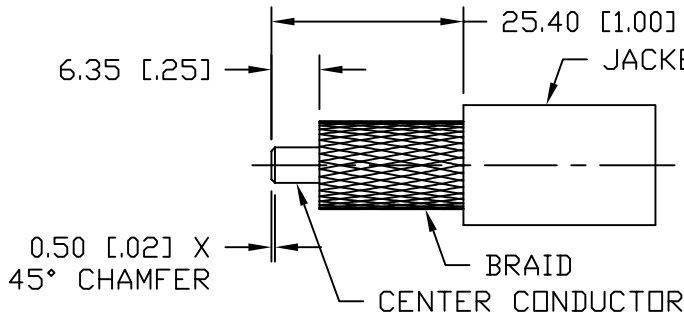
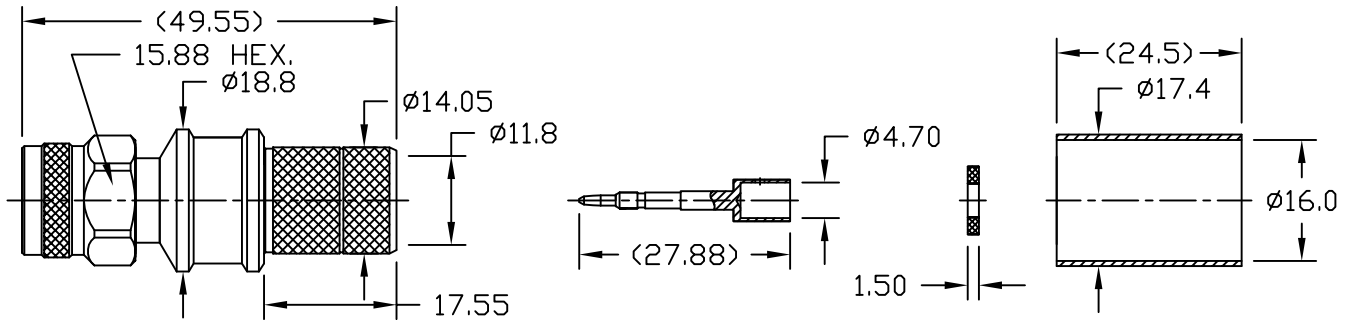


**NOTICE OF PROPRIETARY RIGHTS** THIS DOCUMENT CONTAINS CONFIDENTIAL TECHNICAL DATA, INCLUDING TRADE SECRETS, PROPRIETARY TO TIMES MICROWAVE SYSTEMS. DISCLOSURE OF THIS DATA IS EXPRESSLY CONDITIONED UPON YOUR ASSENT THAT ITS USE IS LIMITED TO USE WITHIN YOUR COMPANY ONLY. ANY OTHER USE IS STRICTLY PROHIBITED WITHOUT THE PRIOR WRITTEN CONSENT OF TIMES MICROWAVE SYSTEMS.

NOTICE: RoHS	ALL PARTS MUST MEET TO RoHS REQUIREMENTS	SYM	REVISION DESCRIPTION	DFTM	DATE	APPD	DATE
✓		A	RELEASED FOR PRODUCTION	K.A.M.	2/24/10	J.D.B.	3/2/10
		B	CHANGED PER CDC #34322	D.J.H.	10/12/11	J.D.B.	10/27/11
		C	CHANGED PER CDC #36447	D.J.H.	10/18/12	J.D.B.	10/18/12
		D	CHANGED PER CDC #36607	D.J.H.	11/16/12	J.D.B.	11/19/12
		E	CHANGED PER CDC #36651	D.J.H.	11/26/12	J.D.B.	11/27/12
		F	CHANGED PER CDC #48862	D.J.H.	5/14/18	N.N.N.	5/15/18



**CABLE TRIMMING DIMENSIONS**  
USE CST-600 (3192-052)

MATERIALS AND PLATING		UNIT: MICRO-INCHES
BODY/SHELL	BRASS C3604	ALBALOY 80u"/COPPER
CONTACT PIN	BRASS C3604	GOLD 50u"/NICKEL/COPPER
INSULATOR	TEFLON MIL-P-19468	NATURAL
GASKET	SILICONE	RED
FERRULE	BRASS	ALBALOY 80u"/COPPER

ELECTRICAL CHARACTERISTICS	
Impedance	50 Ω
Voltage rating	500V(rms)
Frequency range	0~6GHz
Dielectric withstanding voltage	1500V
Contact resistance	Center contact ≤ 3mΩ
	Outer contact ≤ 2mΩ
Insulation resistance	≥ 5000MΩ
Insertion loss	According as the cable
RF-leakage	N/A
VSWR	≤ 1.3
3rd Intermodulation	N/A

MECHANICAL CHARACTERISTICS	
Force to engage and disengage	N/A
Center contact retention force	N/A
Recommended coupling torque	4-6 in-lbs
Coupling nut retention force	≥ 60 lbs
Durability	≥ 500 cycles

ENVIRONMENTAL CHARACTERISTICS	
Temperature range	-55°C - +125°C
Relative Humidity	MIL-STD-202, Method 106
Vibration	MIL-STD-202, Method 204, Cond D
Shock	MIL-STD-202, Method 213, Cond I
Corrosion	MIL-STD-202, Method 101, Cond B

MATERIAL:	UNLESS OTHERWISE SPECIFIED ALL DIMENSIONS ARE IN mm MACHINED SURFACES FINISH 1.6 RMS MAX. REMOVE ALL BURRS N/A MAX. BREAK MACHINE CORNERS N/A MAX. FILLET R. TOLERANCES ON DECIMALS .X ± 0.3 .XX ± 0.2 ANGLES ± 1° FRACTIONS ± 1/64	DFTM: K. A. M.	TIMES MICROWAVE SYSTEMS
		DATE: 2/24/10	
USED ON: 1		CHKD: J. D. B.	<b>TC-600-TM-X</b> PLUG, TNC FOR LMR-600
		DATE: 3/2/10	
SCALE: ~	DWG. SIZE: A	APPD: J. D. B.	SHEET: 1 of 1
		DATE: 3/2/10	
DO NOT SCALE DRAWING	CODE IDENT: 68999	DATE: 3/2/10	REV: F