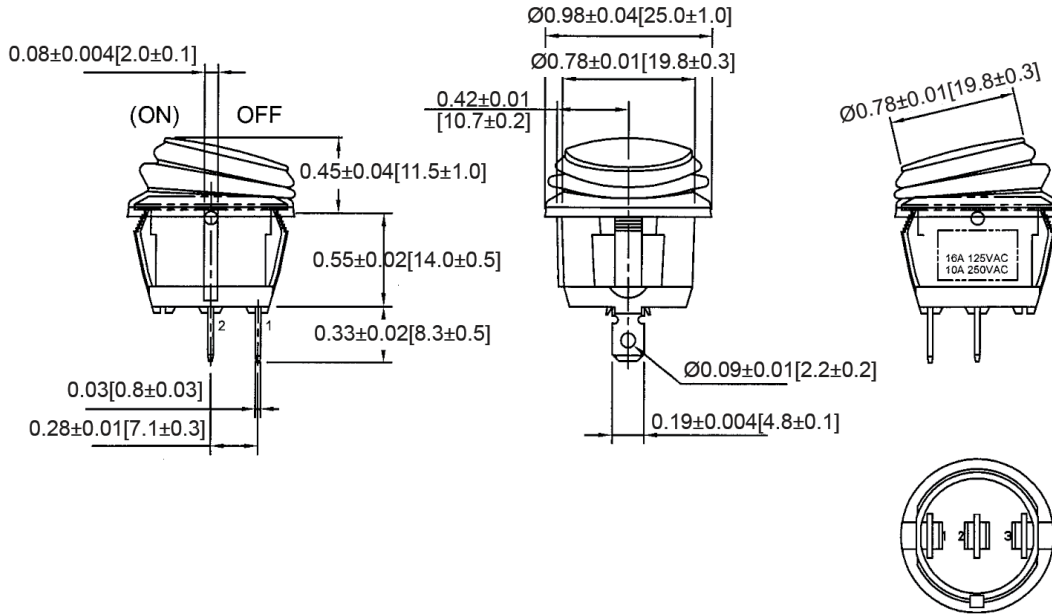
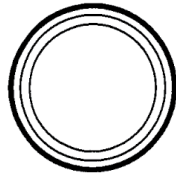
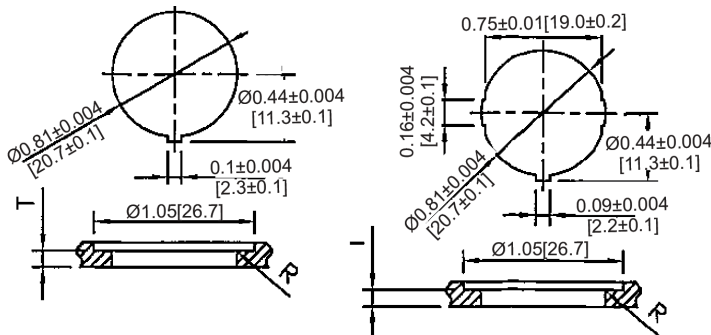


Mechanical Dimensions: Inches [mm]

Tolerances  $\pm 0.012$  [0.3] Unless Otherwise Specified



Mounting Hole



Thickness: 0.06~0.1 [1.5~2.5] | 0.03~0.1 [0.7~2.5]

Circuit Diagram

2P SPST OFF-(ON)



Electrical Specifications

<b>Rating</b>	10(4)A 125/250V AC, 10A 125V AC 6A 250V AC  10(4)A 250V AC    16A 125V AC, 10A 250V AC
<b>Contact Resistance</b>	50m ohm Max
<b>Insulation Resistance</b>	DC 500V 100M ohm Min
<b>Dielectric Strength</b>	AC 1500V 1 minute
<b>Operation Temperature</b>	-25°C~85°C

Material Specifications

<b>Frame</b>	Black, Nylon 66 (94-V2)
<b>Actuator</b>	Black, PC (94-V2)
<b>Waterproof Rubber</b>	Black, Silicone
<b>Terminals</b>	Silver plated, Copper alloy
<b>Waterproof</b>	IP65

Rev	Date of issue	Revision Notes	Designed	Approved
B	06-08-2021	Initial Drawing	RC	OF