

PAGE 1/2

ISSUE 22-03-22

SERIE : SPnT

PART NUMBER : R573902400

## RF CHARACTERISTICS

Number of ways : **4**  
 Frequency range : **0 - 2.5 GHz**  
 Impedance : **75 Ohms**

Frequency (GHz)	DC - 1	1 - 2.5
VSWR max	<b>1.30</b>	<b>1.40</b>
Insertion loss max	<b>0.20 dB</b>	<b>0.30 dB</b>
Isolation min	<b>80 dB</b>	<b>70 dB</b>
Average power (*)	<b>400 W</b>	<b>240 W</b>

## ELECTRICAL CHARACTERISTICS

Actuator : **NORMALLY OPEN**  
 Nominal current \*\* : **250 mA**  
 Actuator voltage (Vcc) : **12V (10.2 to 13V) / NEGATIVE COMMON**  
 Terminals : **solder pins (250°C max. / 30 sec.)**

## MECHANICAL CHARACTERISTICS

Connectors : **1.6/5.6 female per IEC 169-13**  
 Life : **2 million cycles per position**  
 Switching Time\*\*\* : **< 15 ms**  
 Construction : **Splashproof**  
 Weight : **< 180 g**

## ENVIRONMENTAL CHARACTERISTICS

Operating temperature range : **-25°C to +70°C**  
 Storage temperature range : **-40°C to +85°C**

(\* Average power at 25°C per RF Path)

(\*\* At 25° C ±10%)

(\*\*\* Nominal voltage ; 25° C)



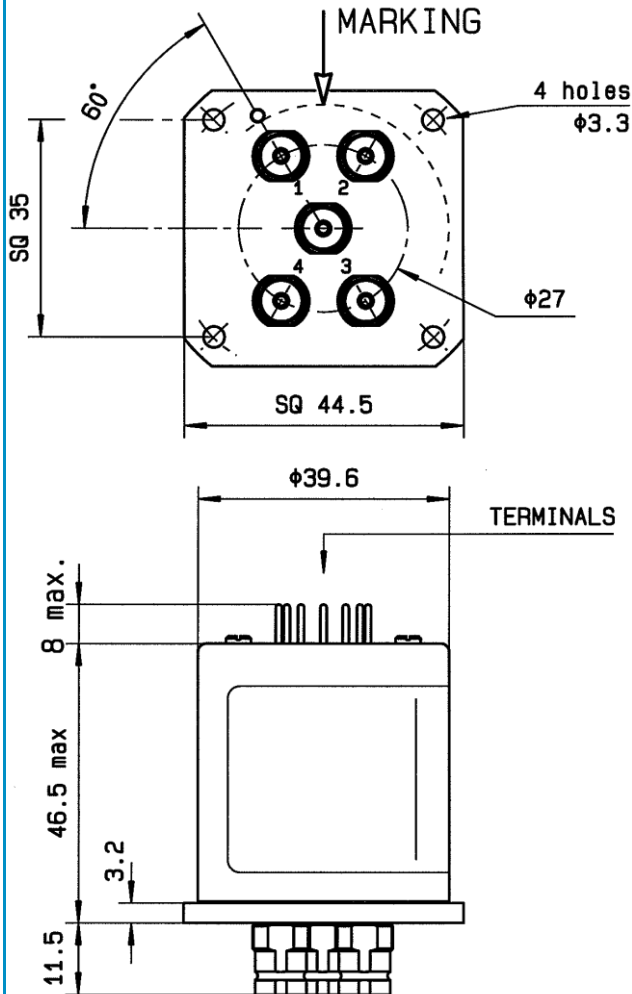
PAGE 2/2

ISSUE 22-03-22

SERIE : SPnT

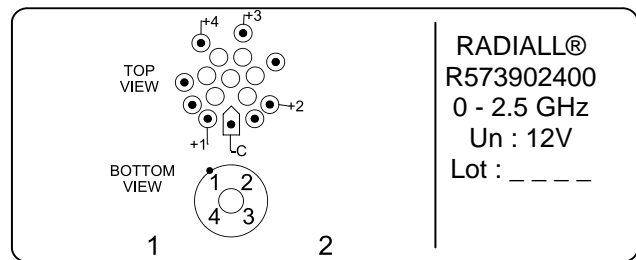
PART NUMBER : R573902400

DRAWING



Voltage	RF Continuity
-C +1	IN ↔ 1
-C +2	IN ↔ 2
-C +3	IN ↔ 3
-C +4	IN ↔ 4

LABEL



General tolerances : ±0,5 mm [0,02 in]

SCHEMATIC DIAGRAM

