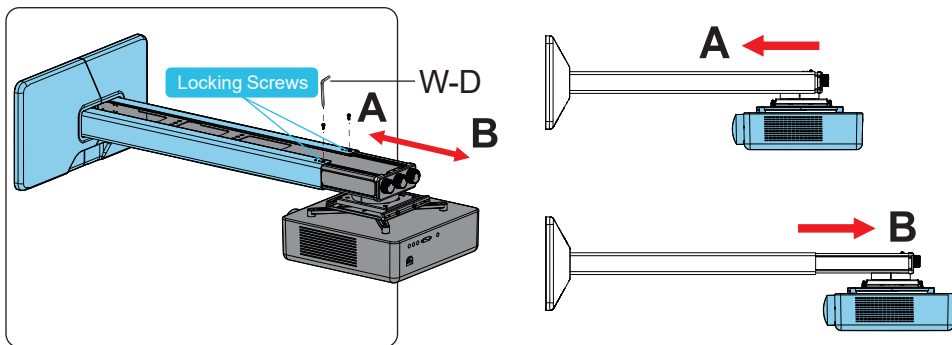
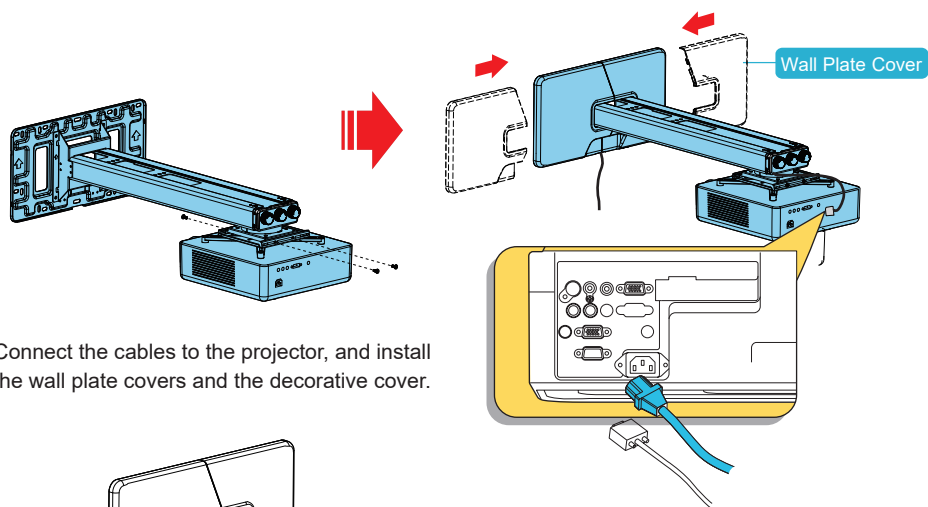


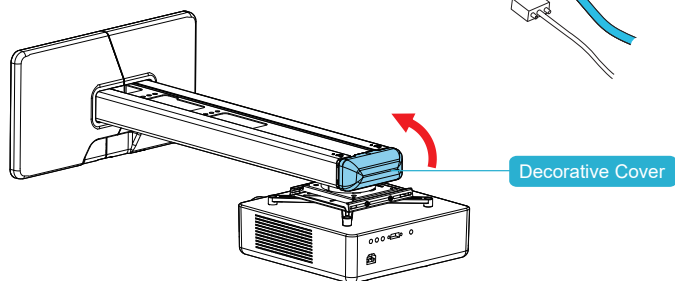
## Adjusting the Forward/Backward Slide



## 7 Installing the Wall Plate Covers and the Decorative Cover



Connect the cables to the projector, and install the wall plate covers and the decorative cover.



## Maintenance

Please check that the projector mount is secure and safe to use at regular intervals. If you have any questions regarding any of the instructions or warnings, please contact your local distributor (OR) contact QualGear technical support via email at [support@qualgear.com](mailto:support@qualgear.com).

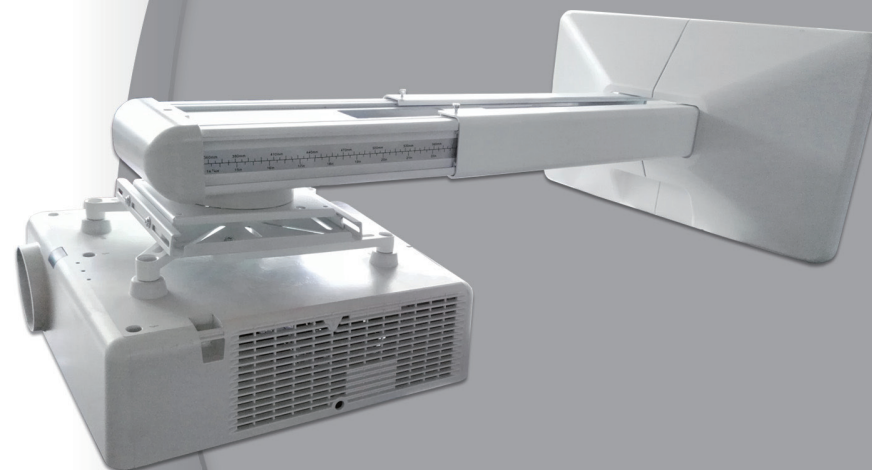
# QualGear®

Accessories that Inspire.

## QG-PM-FT1-WHT

INSTALLATION MANUAL

# PROJECTOR WALL MOUNT



[Projector not included]



### CAUTION!

Do not exceed the maximum rated weight specified. Otherwise, serious injury or property damage may occur.



**ADJUSTABLES:** Vertical Tilt, Horizontal Roll, and Horizontal Rotation: +/- 5 degrees  
Horizontal Slide (Forward/Backward): 358 – 658mm, from the center of the wall plate  
Horizontal Slide (Left/Right): 90mm



[www.qualgear.com](http://www.qualgear.com)

■ 5 Year Limited Warranty

■ Version September 2015

**NOTE** Please read the entire installation manual before you start installation and assembly.

## WARNING

- Do not begin to install your QualGear product until you have read and understood all the instructions and warnings contained in this installation manual. If you have any questions regarding the instructions, for US customers please contact QualGear customer support via email at support@qualgear.com. For all international customers, please contact your local distributor.
  - This product should only be installed by someone of good mechanical aptitude, has experience with basic building construction, and fully understands these instructions.
  - This product was designed to be installed and utilized only as specified in this manual. Improper installation of this product may cause damage or serious injury. QualGear is not liable for the improper use or installation of its products.
  - Make sure that the supporting surface will safely support the combined load of the equipment and all attached hardware and components.
  - Always use an assistant or mechanical lifting equipment to safely lift and position the equipment.
- Tighten screws firmly, but do not over tighten. Over tightening can damage the items, greatly reducing their holding power.
  - ALL QUALGEAR products are intended for indoor use only and any outdoor use voids the limited warranty.
  - If mounting to wooden studs make sure that mounting screws are anchored into the center of the studs. Use of an edge-to-edge stud finder is highly recommended.
  - Never exceed the maximum rated weight specified in this manual.
  - All bolts and screws must be used at the designated points in the installation instructions to prevent property damage and/or personal injury.
  - DO NOT install near air conditioner vents or where there is excessive dust or smoke.
  - When drilling holes in the wall, it is very important to take care of electrical cables, water, or gas pipes in the wall.

This product was designed to be installed on the following wall construction only:

### WALL CONSTRUCTION

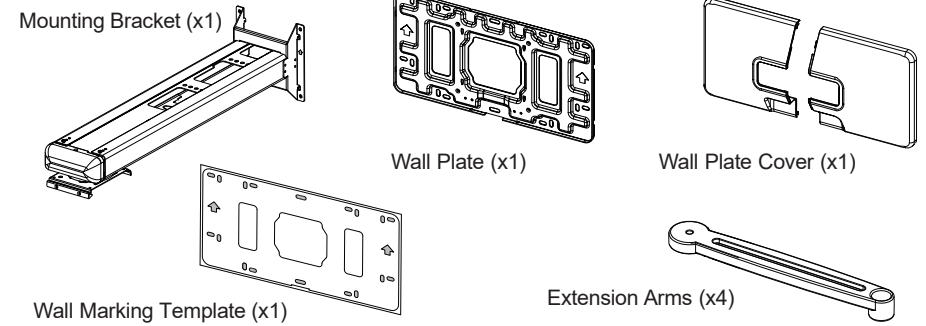
Wooden Stud  
Wooden Beam  
Solid Concrete  
Brick  
Other

### HARDWARE REQUIRED

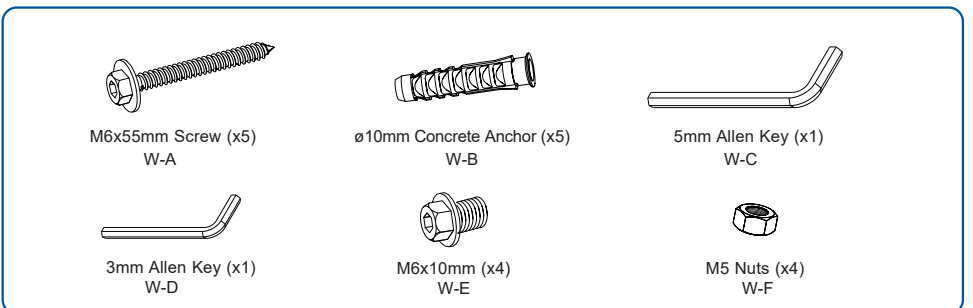
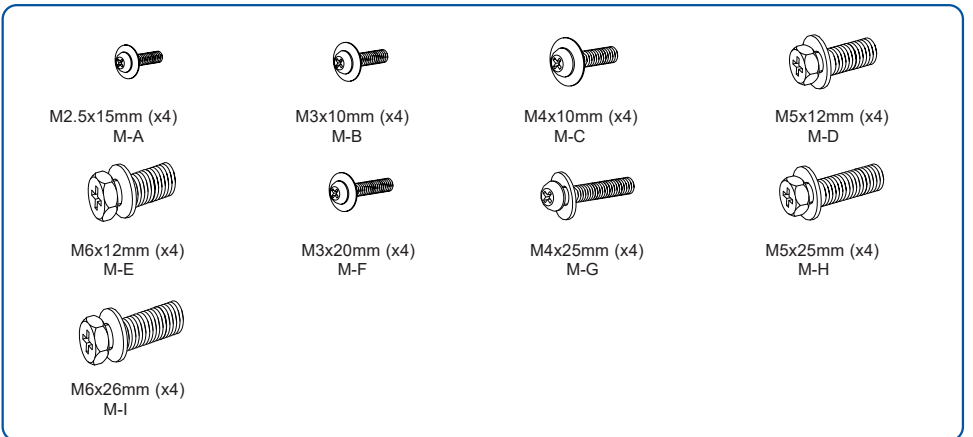
Included  
Included  
Included  
Included  
Contact Qualified Professional

## Parts Checklist

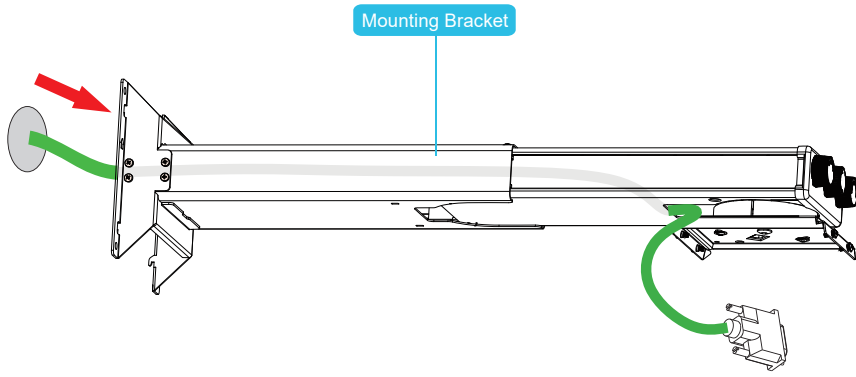
**IMPORTANT:** Before starting installation, please check that all parts shown in this checklist are included. If any parts are missing or damaged, contact your local distributor or support@qualgear.com for replacement parts and do not start assembly and installation until you receive all the parts.



## Hardware Package

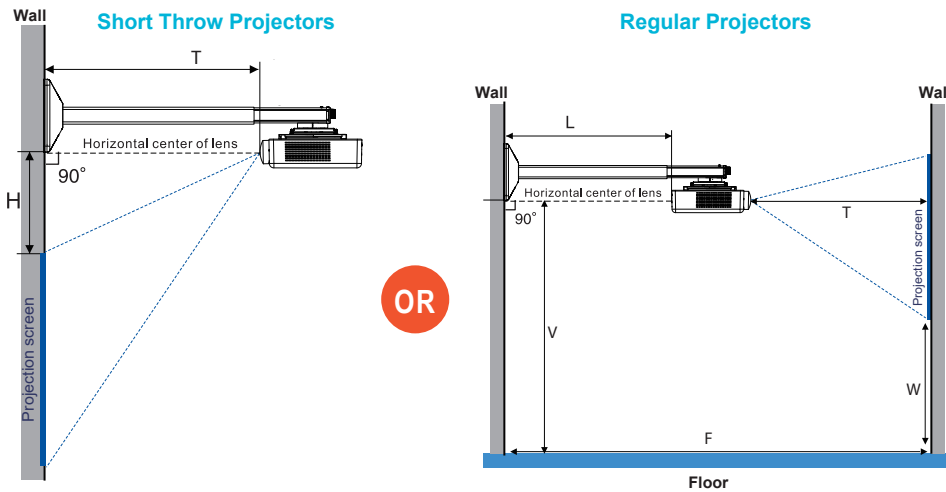


# 1 Cable Management



Feed the projector cable(s) through the mounting bracket.

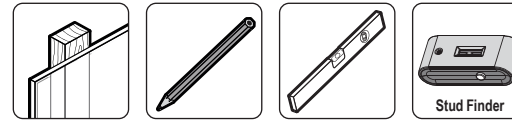
# 2 Checking the Installation Position



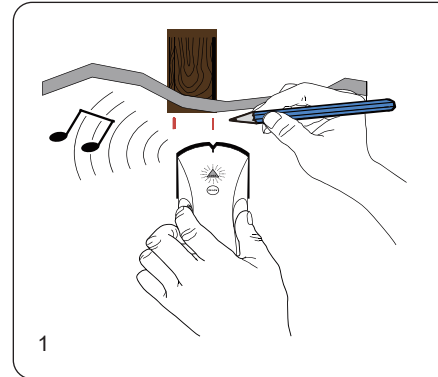
Please refer to the diagram above and the user manual of your projector to determine the proper placement of the projector wall mount.

- F: Distance between the walls/ length of the room
- H: Distance from the top of the projector screen to the center of the lens
- L: Distance from the wall to the projector
- T: Throw distance/ projection distance
- V: Distance from the bottom of the floor to the center of the lens
- W: Distance from the floor to the bottom of the projector screen

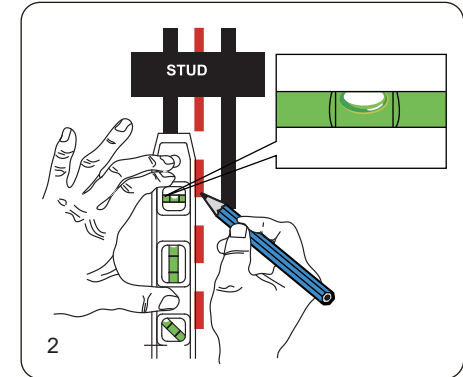
# 3a Mounting to a Wooden Stud Wall



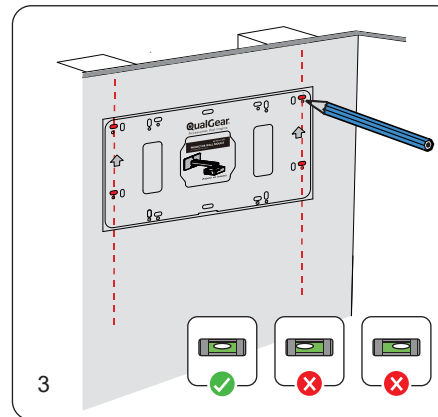
**NOTE** For concrete or brick wall mounting, follow Step 3b.



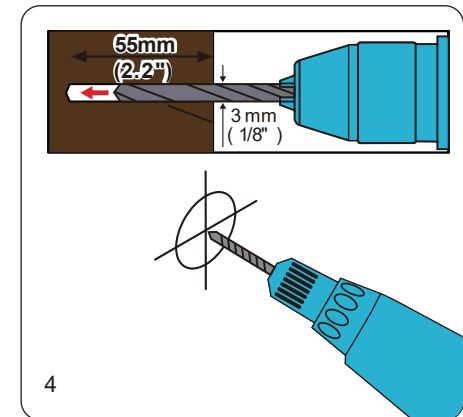
Using an edge-to-edge stud finder, find the edges of the stud.



Using a level, mark the centerline of the stud.

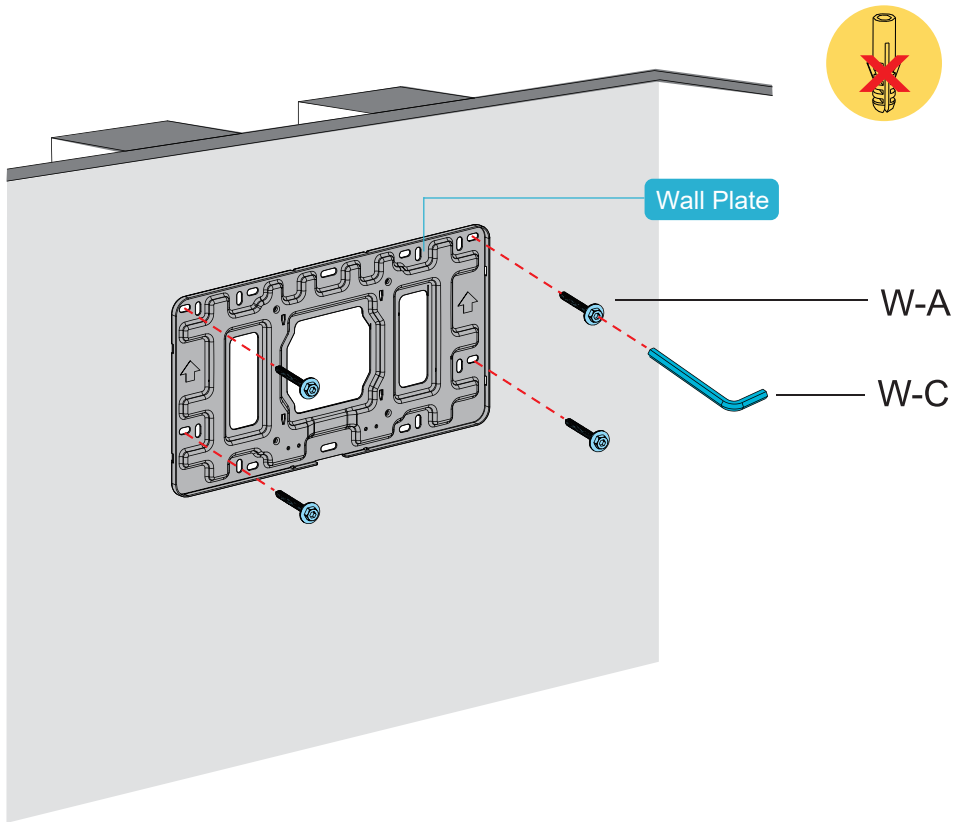


Using the marking template provided, mark four holes for drilling on the centerline of each stud.



Using a power drill and 1/8" drill bit, drill pilot holes of 1/8" (3mm) diameter and at least 2.2" (55mm) depth at the marked locations in the previous step.

**NOTE** Do NOT use power drill and do NOT over tighten the lag bolts.



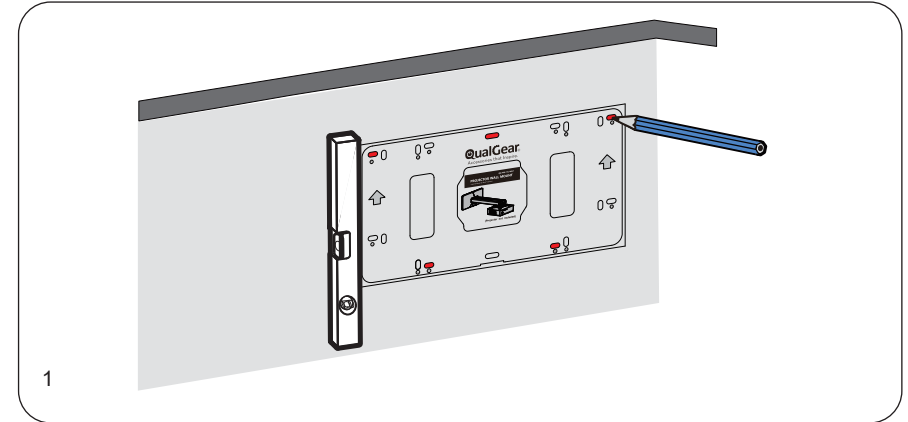
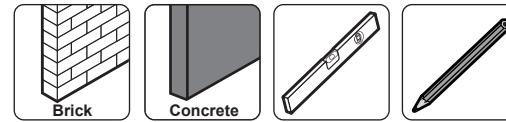
5. Using a 5mm allen key (W-C), mount the wall plate and fasten with the M6x55mm screws (W-A).

### **WARNING**

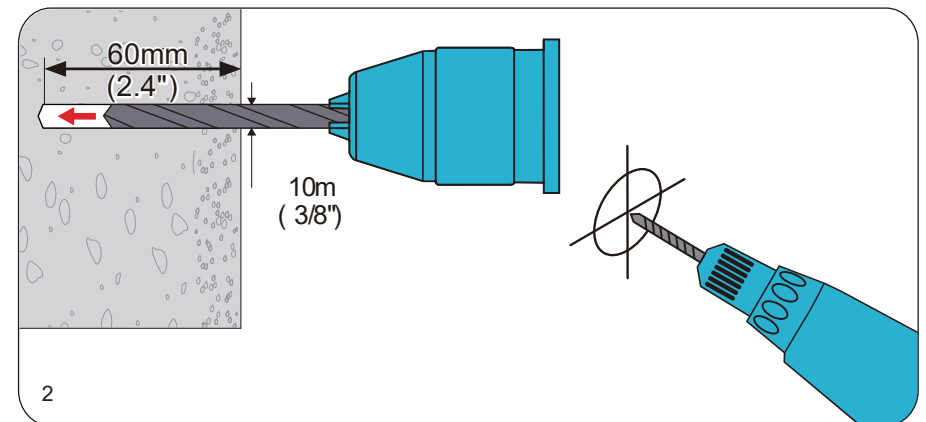
- Installers are responsible to provide hardware for other types of mounting situations
- Installers must verify that the supporting surface will safely support the combined weight of the equipment and all attached hardware and components

**SKIP TO STEP 4** →

### **3b Mounting to a Concrete or a Brick Wall**

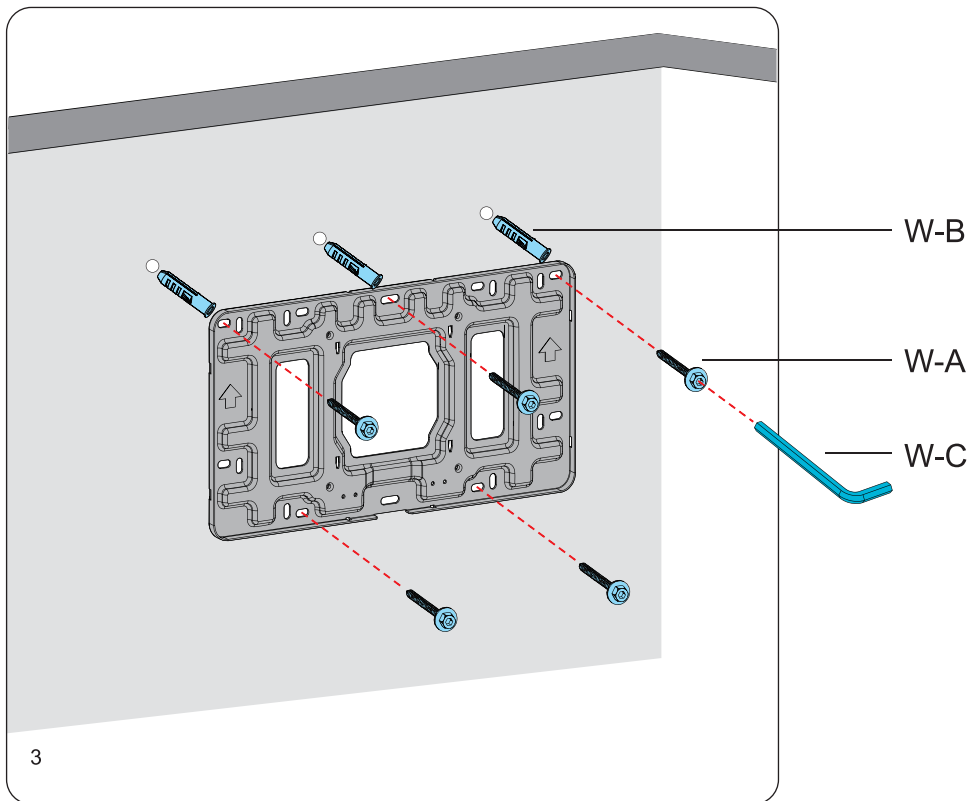


Hold the marking template against the wall where you want to install the projector, mark five holes for drilling.



Using a power drill and a 3/8" masonry drill bit, drill mounting holes of 3/8" (10 mm) diameter and 2.4" (60 mm) depth at the marked locations in the previous step.

**NOTE** Do NOT use power drill and do NOT over tighten the lag bolts.

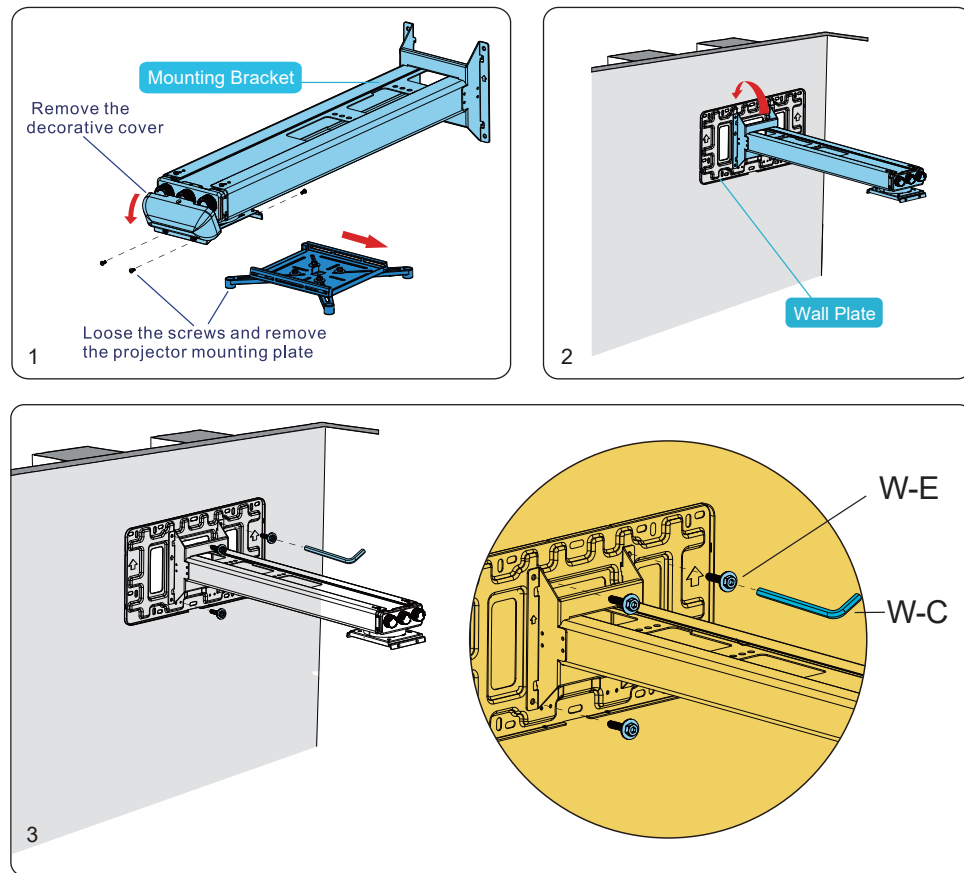


Place concrete anchor (W-B) in each hole. Tap each anchor flush with the wall using a hammer. Using a 5mm allen key (W-C), mount the wall plate and fasten with the M6x55mm screw (W-A).

**WARNING**

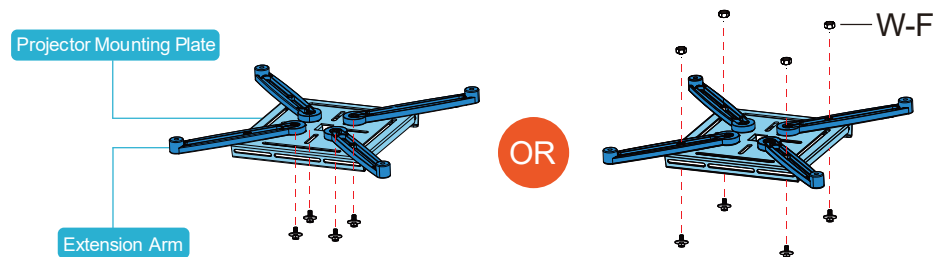
- Installers must verify that the supporting surface will safely support the combined weight of the equipment and all attached hardware and components

**4 Installing the Mounting Bracket onto the Wall Plate**



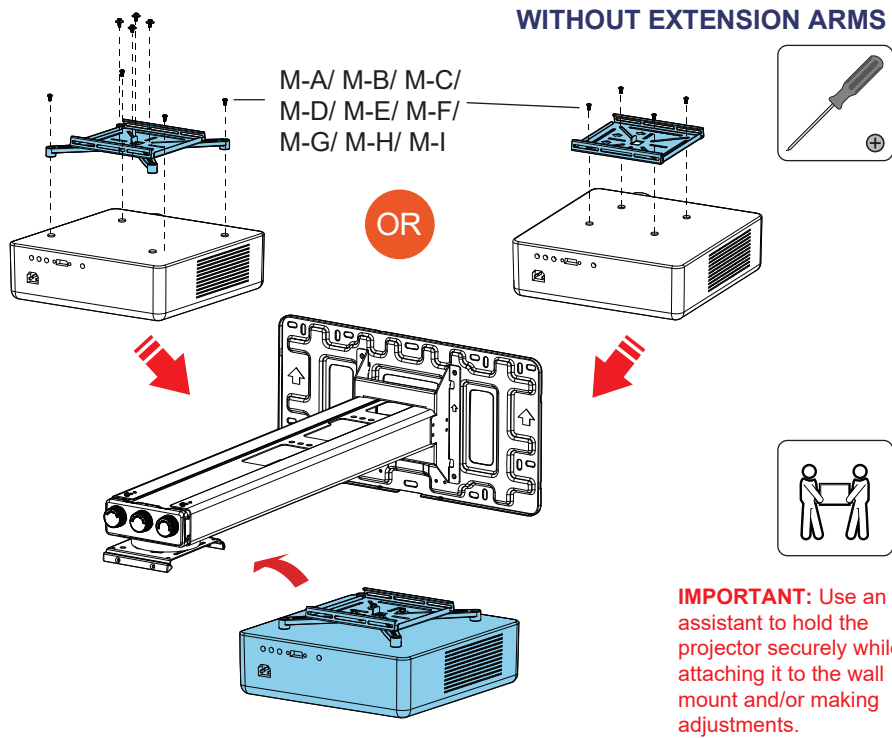
Using 5mm allen key (W-C), attach the mounting bracket to the wall plate with screws (W-E).

**5 Installing the Projector onto the Projector Wall Mount**



Install the extension arms according to one of the illustrations shown above.

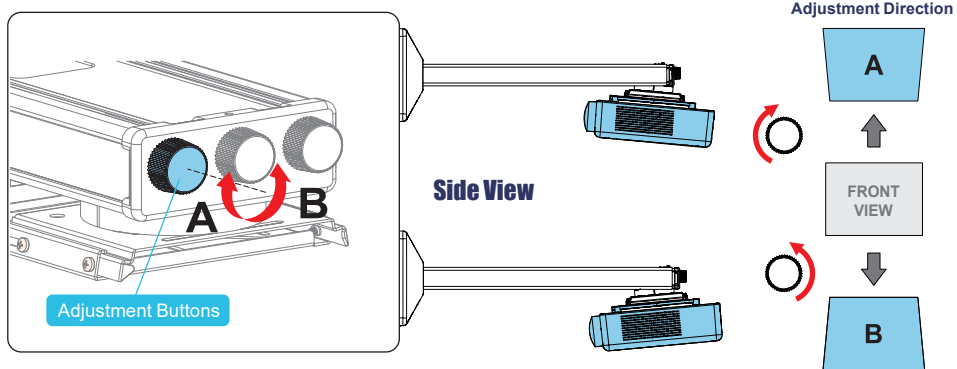
According to the type of your projector, choose the appropriate screws, and then attach the projector mounting plate to the projector, with or without the extension arms.



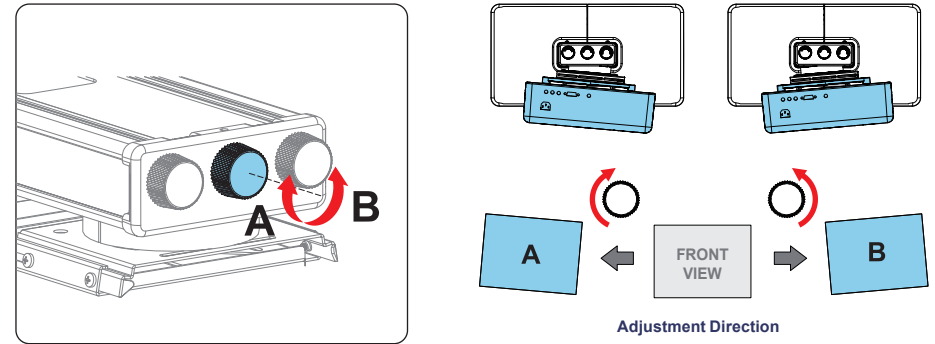
## 6 Adjustments

After the projector is mounted to the projector mount, make adjustments according to your needs.

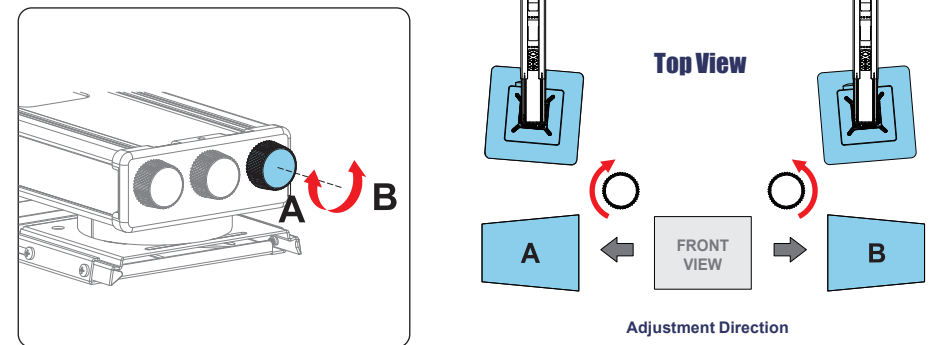
### Adjusting the Vertical Tilt



### Adjusting the Horizontal Roll



### Adjusting the Horizontal Rotation



### Adjusting the Leftward/Rightward Slide

