

The L10.7 Series ceramic filter is for FM use.

Obsolete/End of Life Date 5/06/2020

Request a Sample

OPERATING CONDITIONS / ELECTRICAL CHARACTERISTICS



- FM Communications applications
- RoHS Compliant (Note 7 Exemption)

Part Number *	3 dB Bandwidth (KHz) Min.	20 dB Bandwidth KHz Max.	Insertion Loss (dB) Max.	Spurious (Db) Min. (9-12 MHz)
L10.7 MA20 □	330 ±50	680	4±2	30
L10.7 MA5 □	280 ±50	650	6±2	30
L10.7 MA5A10 □	280 ±50	590	2.5±2	30
L10.7 MS2 □	230 ±50	600	6±2	40
L10.7 MS2A10 □	230 ±50	520	3±2	35
L10.7 MS3 □	180 ±40	520	7±2	40
L10.7 MS3A10 □	180 ±40	520	3±2	35
L10.7 MJ □	150 ±40	400	10±2	38
L10.7 MJA10 □	150 ±40	360	4.5±2	35
L10.7 MHY □	110 ±30	350	7±2	30

Input/Output impedance 330 Ohms, F_o tolerance ±30 KHz

□ = Indicator (F_o), complete part number to include indicator i.e. L10.7MA5C (C = 10.73 MHz)

Center Frequency Indicators

Specification (F _o) MHz	10.64	10.67	10.70	10.73	10.76
Indicator	D	B	A	C	E

Package Dimensions (mm)

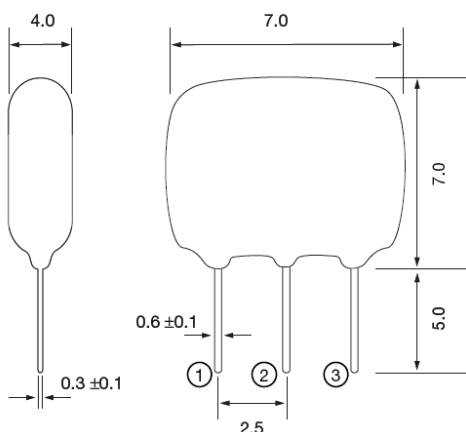


Figure 1) Front and Side views

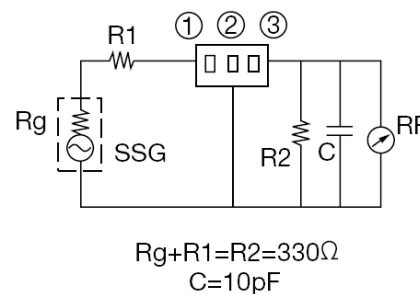


Figure 2) Test Circuit