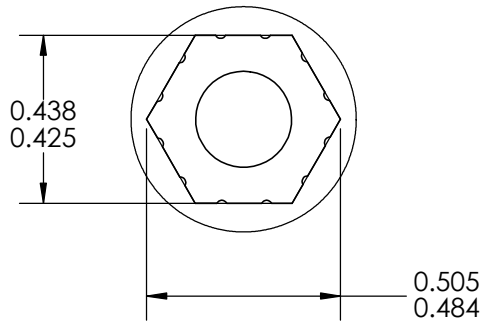
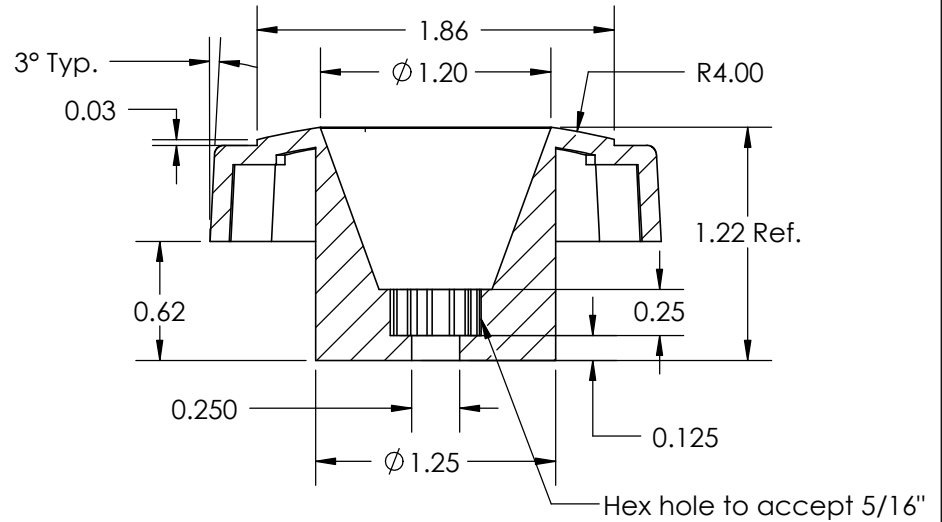


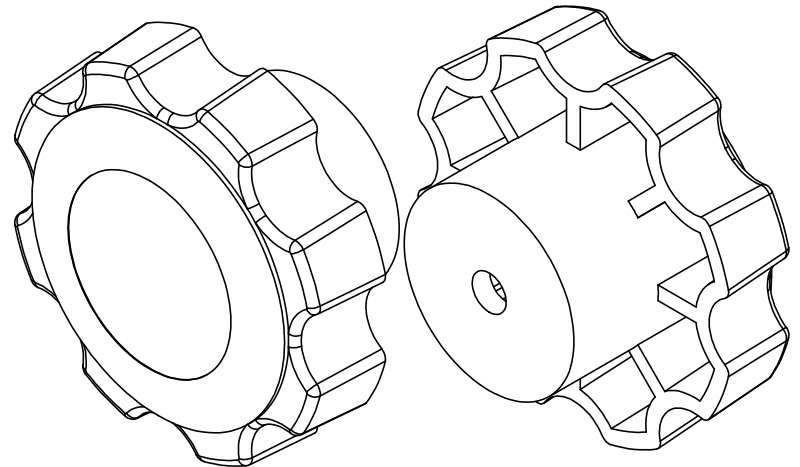
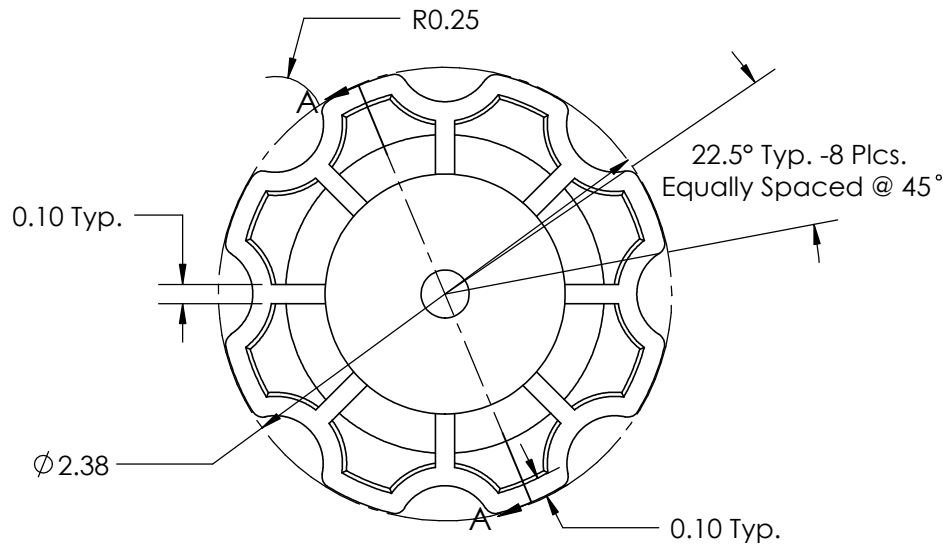
DETAIL J
SCALE 2 : 1



DETAIL T
SCALE 2 : 1



SECTION A-A



FOR CUSTOMER APPROVAL ONLY		REV	BY	DATE	COMMENT	DIMENSIONS ARE IN INCHES TOLERANCES FRACTIONAL ± TWO PLACE DECIMAL ± 0.03 THREE PLACE DECIMAL ± 0.010 UNLESS OTHERWISE NOTED	DRAWN	GCC	INNOVATIVE COMPONENTS PART NAME 2.38" Fluted knob, Hex Hole to Accept 1/4" PART NUMBER KNH1-HEXF6----- SCALE 1:1	DRAWING NUMBER 04-15-15 R2 SHEET 1 OF 1
NAME:	0	LQR	03/09/09	RELEASE DATE			APPROVED	LQR		
	1	JBA	07/18/13	Changed Hex Specification			DATE	04/20/2015		
TITLE:	2	GCC	04/20/15	Changed Hex Specifications			COMMENTS			
DATE:	PROPRIETARY AND CONFIDENTIAL THE INFORMATION CONTAINED IN THIS DRAWING IS THE SOLE PROPERTY OF INNOVATIVE COMPONENTS. ANY REPRODUCTION IN PART OR AS A WHOLE WITHOUT THE WRITTEN PERMISSION OF INNOVATIVE COMPONENTS IS PROHIBITED.					KNOB MATERIAL Polypropylene, Black	INSERT MATERIAL			
SIGNATURE:						KNOB FINISH	INSERT FINISH			
						INSERT PART NUMBER	INSERT FINISH			

