

GlobTek, Inc. www.globtek.com 186 Veterans Drive, Northvale, NJ 07647 Tel. (201) 784-1000 Fax (201) 784-0111	Drawing Title: USB-C (USB TYPE-C) USB 3.2 Gen 2 (USB 3.1 Gen 2, Superspeed + (USB 3.1)) Receptacle Connector 6 Position Waterproof IPX7 Surface Mount, Right Angle; Through Hole, 450-01290404(R)	
	Model No. Connector	Part No./Ordering No. JACK-USBC-241SMTV-4BQC14
		Rev A

In Addition to GlobTek Inc.'s renewed ISO9001:2008 - Quality Management System Certification, GlobTek Inc. is now certified to:

ISO13485:2003 - Medical Devices Quality Management System Certification
ISO14001:2004 - Environmental Management System Certification

ISO Certificates are available online at <http://www.globtek.com/iso-certificates/>

The acceptance of this specification and use of the product described in this document indicates the acceptance and binding of the customer to Globtek TERMS AND CONDITIONS (attached to the end of this document), which supersede all other agreements, terms, and conditions (<http://en.globtek.com/terms-and-conditions/>).

Prop 65 Statement:<https://en.globtek.com/prop-65-statement.pdf>

Footnote:

GlobTek Inc. will not be liable for the safety and performance of these power supplies if unauthorized access and repair occurs. End user should consult applicable UL, CSA or EN standards for proper installation instruction.

Limitation of Use:

GlobTek products are intended for use with commercial, medical, and/or industrial equipment only. GlobTek product are not authorized for use as mission critical components in life support hazardous environment, nuclear or aircraft applications without prior written approval from the CEO of GlobTek Inc.

Contents of this document are subject to change without prior notice.

Customer Approval of Specification:

Please approve, sign and send back to GlobTek so we can complete order processing.
A delay in receipt of this form will delay delivery schedule.

Company Name: _____	Customer P/N: _____
Quote Number: _____	Date: _____
Authorized Representative Name: _____	Authorized Representative Signature: _____

GlobTek, Inc.
 www.globtek.com
 186 Veterans Drive,
 Northvale, NJ 07647
 Tel. (201) 784-1000
 Fax (201) 784-0111

Drawing Title: USB-C (USB TYPE-C) USB 3.2 Gen 2 (USB 3.1 Gen 2, Superspeed + (USB 3.1)) Receptacle Connector 6 Position Waterproof IPX7 Surface Mount, Right Angle; Through Hole, 450-01290404(R)

Model No. [Connector](#)

Part No./Ordering No. [JACK-USBC-241SMTV-4BQC14](#)

Rev A

REVISION HISTORY

REV	DESCRIPTION	SUB	DATE	APPROVED
A	Initial release	QA	08/08/2022	QA

3D CAD FILE:

https://www.globtek.com/file/dl/jack-usbc-241smtv-4bqc14_asm.stp

AGENCY ONLINE DOCUMENTS

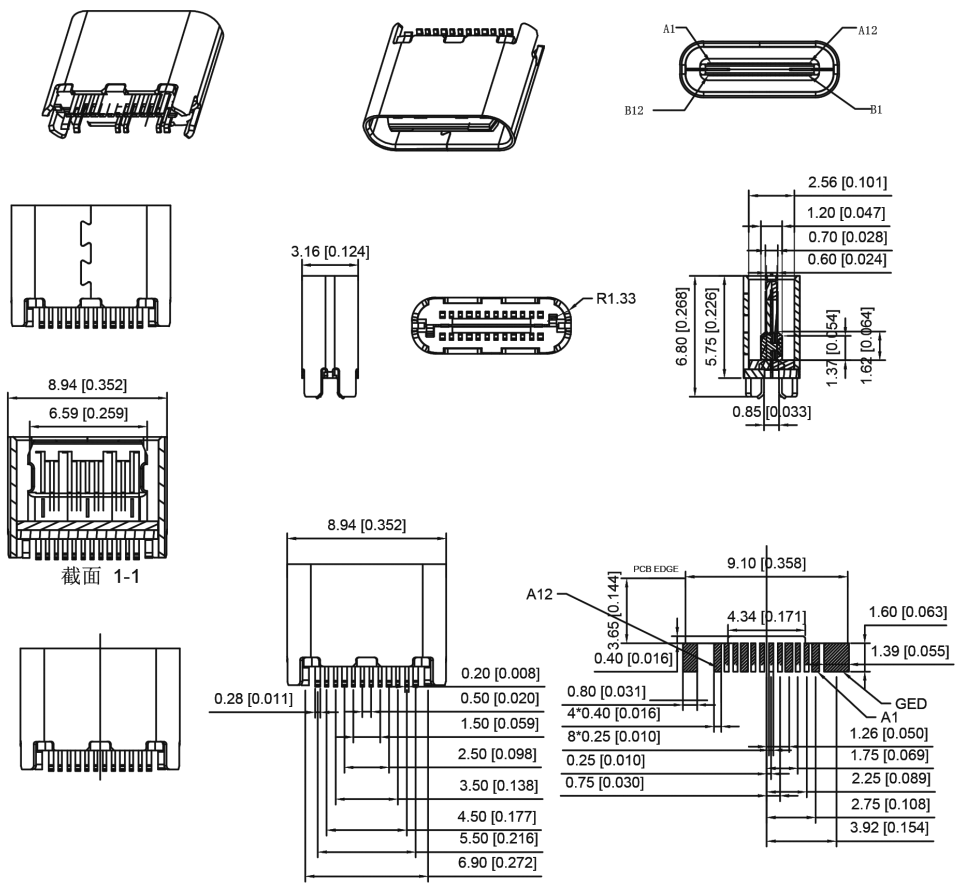
RoHS/RoHS3 Declaration https://www.globtek.com/pdf/rohs_cert/01t3a000005hclOAAQ

REACH Declaration https://www.globtek.com/pdf/iso_certificates/REACH.pdf

Conflict Minerals Declaration <https://www.globtek.com/pdf/conflict-minerals.pdf>

Prop 65 Statement <https://en.globtek.com/prop-65-statement.pdf>

IPXY rating is based on 3rd party testing and customers should check suitability and test system level IPXY rating before ordering.



GlobTek, Inc. www.globtek.com 186 Veterans Drive, Northvale, NJ 07647 Tel. (201) 784-1000 Fax (201) 784-0111	Drawing Title: USB-C (USB TYPE-C) USB 3.2 Gen 2 (USB 3.1 Gen 2, Superspeed + (USB 3.1)) Receptacle Connector 6 Position Waterproof IPX7 Surface Mount, Right Angle; Through Hole, 450-01290404(R)	
	Model No. Connector	
Part No./Ordering No. JACK-USBC-241SMTV-4BQC14		Rev A

A1	GND	B12	GND
A2	SSTXP1	B11	SSRXP1
A3	SSTXN1	B10	SSRXN1
A4	VBUS	B9	VBUS
A5	CC1	B8	SBU2
A6	DP1	B7	DN2
A7	DN1	B6	DP2
A8	SBU1	B5	CC2
A9	VBUS	B4	VBUS
A10	SSRXN2	B3	SSTXN2
A11	SSRXP2	B2	SSTXP2
A12	GND	B1	GND
PIN	SIGNAL NAME	PIN	SIGNAL NAME

JACK-USBC-241SMTV-4BQC14

AU 1U" 

Material

Housing Material: High temperature thermoplastic

Contact Terminal: High Grade Copper Alloy

Metallic Shell: Stainless Steel

Inner Ground Cover Shell: Stainless Steel

Mid Plate: Stainless Steel

Plating

Data Contact

Underplating: 50µ" Min. Nickel

Contact Plating: 1µ" Gold

Solder Area: 80µ" Matte Tin

Shell

Metallic Shell: 50µ" Min. Nickel

Cover Shell

Metallic Shell: 80µ" Min. Nickel

Inner Ground Cover Shell

Metallic Shell: 50µ" Min. Nickel

Electrical

Voltage Rating: 20V DC

Current Rating: Vbus pins collectively 5.00A, GND pins collectively 6.25A,

B5 pin 1.25A, Other pins 0.25A per pin.

Contact Resistance: 40mΩ Max.

Insulation resistance: 100 MΩ MIN.

Dielectric withstanding voltage: 100V AC/Minute

Mechanical

Durability: 10,000 cycles

Mating Force: 5 to 20N

Unmating Force: 8 to 20N (post test)

PROPRIETARY INFORMATION

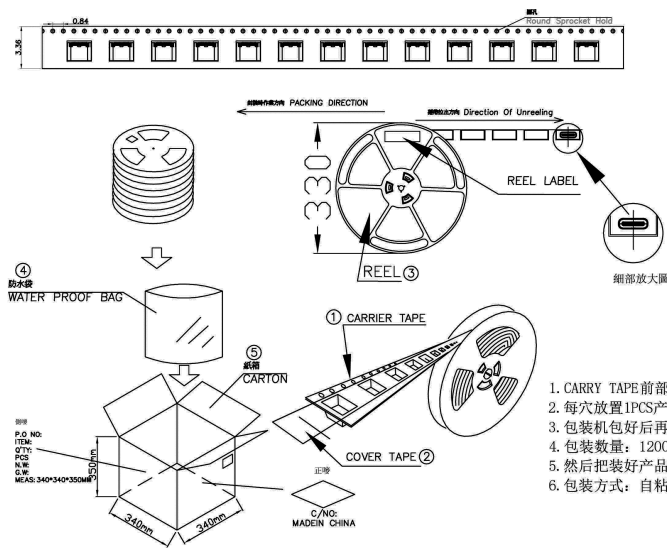
PROPRIETARY OF GLOBTEK, INC. ANY REPRODUCTION, DISCLOSURE OR USE OF THIS DRAWING, IN WHOLE OR IN PART, IS HEREBY PROHIBITED EXCEPT AS SPECIFIED IN WRITING BY GLOBTEK, INC. © GlobTek, Inc. 2022 - 2023

quest /06/06/2023 5:34:49 AM CLONED FROM JACK-USBC-241SMT-4BV64

<p>GlobTek, Inc. www.globtek.com 186 Veterans Drive, Northvale, NJ 07647 Tel. (201) 784-1000 Fax (201) 784-0111</p>	<p>Drawing Title: USB-C (USB TYPE-C) USB 3.2 Gen 2 (USB 3.1 Gen 2, Superspeed + (USB 3.1)) Receptacle Connector 6 Position Waterproof IPX7 Surface Mount, Right Angle; Through Hole, 450-01290404(R)</p>
	<p>Model No. Connector</p>
	<p>Part No./Ordering No. JACK-USBC-241SMTV-4BQC14</p> <p style="text-align: right;">Rev A</p>

Temperature Life, Vibration, Cyclic Temperature and Humidity, Thermal Shock, Mixed Flowing Gas and etc.:
<https://www.globtek.com/pdf/ENVIRONMENTAL.pdf>

Packing:



1. CARRY TAPE前部分与尾部分各留出150~300mm长度不装产品
2. 每穴放置1PCS产品，放置方式如图所示
3. 包装机包好后再缠上一圈电周波，在REEL的四
4. 包装数量：1200PCS/REEL，15REEL/CARTON，共18000PCS/CARTON
5. 然后把装好产品的REEL 放进纸箱中。
6. 包装方式：自粘式

GlobTek, Inc. www.globtek.com 186 Veterans Drive, Northvale, NJ 07647 Tel. (201) 784-1000 Fax (201) 784-0111	Drawing Title: USB-C (USB TYPE-C) USB 3.2 Gen 2 (USB 3.1 Gen 2, Superspeed + (USB 3.1)) Receptacle Connector 6 Position Waterproof IPX7 Surface Mount, Right Angle; Through Hole, 450-01290404(R)	
	Model No. Connector	
	Part No./Ordering No. JACK-USBC-241SMTV-4BQC14	Rev A

PACKAGING

Packing Spec P/N: _____

Box Qty: 4800

Gift Box Size (mm): _____

Gift Box Color: White

Master Carton Size (mm): 340 x 340 x 220

Master Carton Cubic

Volume (m³): 0.03

Master GW (Kg): 10.0 kg

wt Ea. (Kg): 0.00 kg

wt Ea. (Kg): 0.00 kg

LABEL SPECS: _____ , _____

PACK SPEC: _____