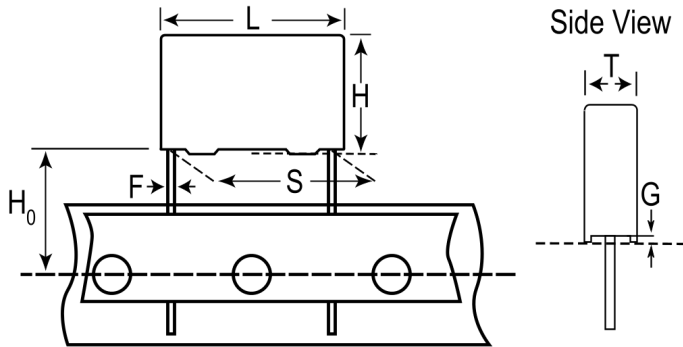


## F872BO563K480L

F872, Film, Metallized Polypropylene, Safety, 0.056 uF, 10%, 480 VAC (X1), 1000 VDC, 110°C, Lead Spacing = 15mm



### General Information

Series	F872
Dielectric	Metallized Polypropylene
Style	Radial
Features	MKP EMI Safety
RoHS	Yes
Lead	Wire Leads
Safety Class	X1
Qualifications	ENEC, UL, cUL, CQC
AEC-Q200	No
THB Performance	No
Component Weight	4.444 g
Miscellaneous	ClimCat: 40/110/56/B.
Shelf Life	104 Weeks

Click [here](#) for the 3D model.

### Dimensions

L	18mm -0.5mm
H	18.5mm -0.5mm
T	7.5mm -0.5mm
S	15mm +0.6/-0.1mm
H <sub>0</sub>	18.5mm +/-0.5mm
F	0.8mm +/-0.05mm
G	0.5mm NOM

### Packaging Specifications

Packaging	T&R
Packaging Quantity	350

### Specifications

Capacitance	0.056 uF
Capacitance Tolerance	10%
Voltage AC	480 VAC (X1)
Voltage DC	1000 VDC
Temperature Range	-40/+110°C
Rated Temperature	110°C
Dissipation Factor	0.3% 1KHz
Insulation Resistance	30 GOhms
Max dV/dt	600 V/us

Statements of suitability for certain applications are based on our knowledge of typical operating conditions for such applications, but are not intended to constitute - and we specifically disclaim - any warranty concerning suitability for a specific customer application or use. This information is intended for use only by customers who have the requisite experience and capability to determine the correct products for their application. Any technical advice inferred from this information or otherwise provided by us with reference to the use of our products is given gratis, and we assume no obligation or liability for the advice given or results obtained.