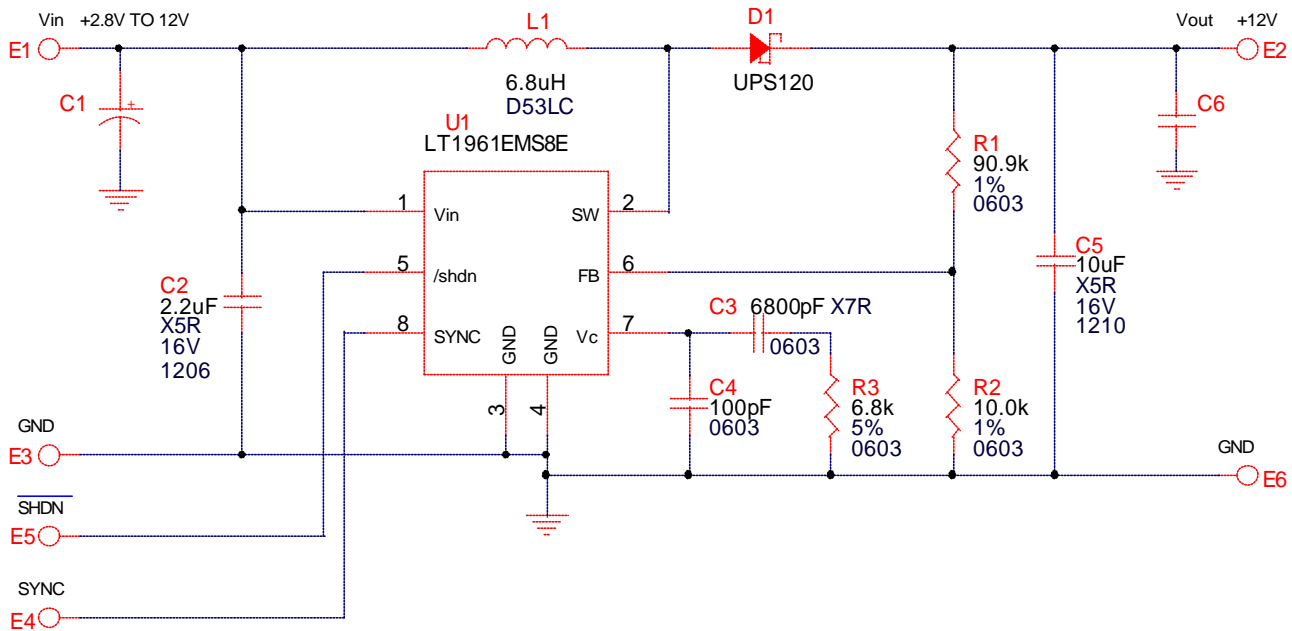

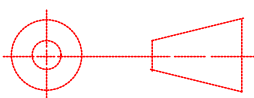


REVISION HISTORY

| ECO | REV | DESCRIPTION | DATE | APPROVED |
|-----|-----|--------------------|----------|----------|
| 0 | 3 | PRODUCTION RELEASE | 10-05-01 | < |
| | | | | |



| | | | |
|---|-------------------------|----------|---|
| UNLESS OTHERWISE SPECIFIED DIMENSIONS ARE IN INCHES TOLERANCE ON ANGLE --- 2 PLACES --- 3 PLACES --- INTERPRET DIM AND TOL PER ASME Y14.5M -1994 | CONTRACT NO. | |  LINEAR TECHNOLOGY 1630 McCarthy Blvd. Milpitas, CA 95035 Phone: (408)432-1900 Fax: (408)434-0507 |
| | APPROVALS | DATE | |
| THIRD ANGLE PROJECTION | DRAWN MEI | 05-31-01 | TITLE |
|  | CHECKED | | LT1961EMS8E, GENERAL BOOST 2.8V TO 12Vin, 12Vout |
| | APPROVED | | SIZE A |
| | ENGINEER | | CAGE CODE <Cage Code> |
| | DESIGNER | | DWG NO DC433A |
| DO NOT SCALE DRAWING | Wednesday, May 08, 2002 | | SCALE:NONE |
| | | | FILENAME: 433A-2.SCH |
| | | | SHEET 1 OF 1 |
| | | | REV 3 |