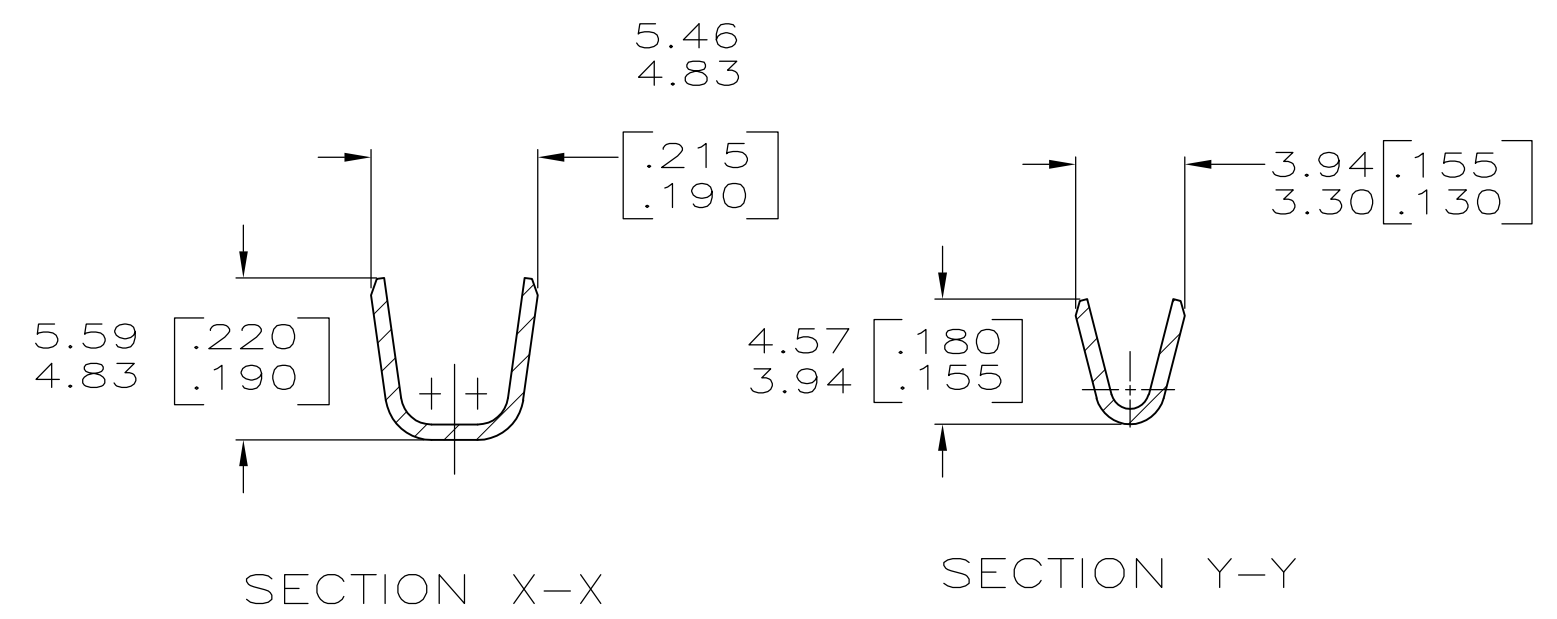
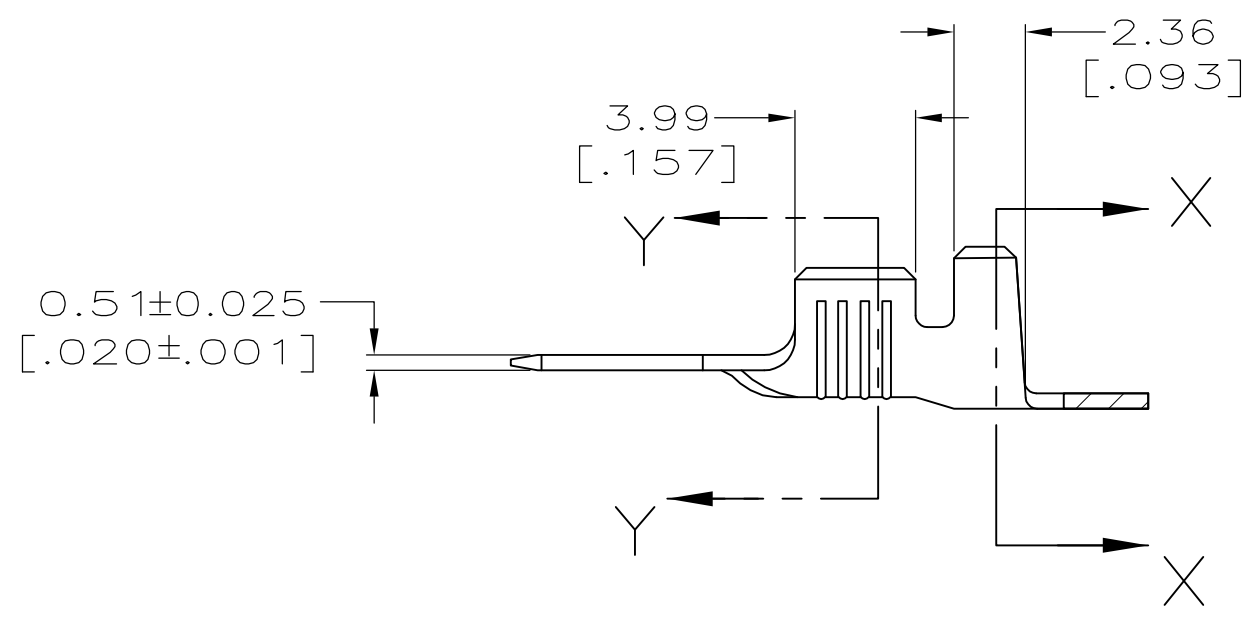
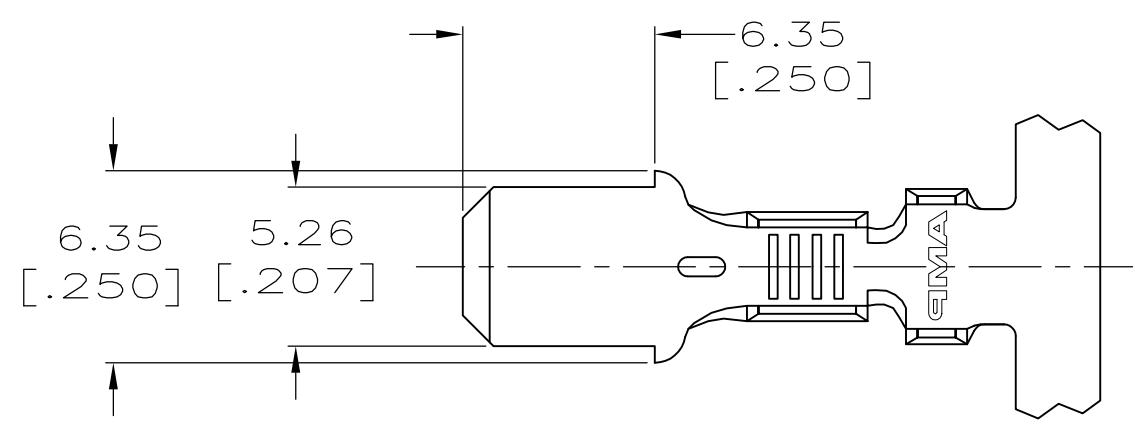



THIS DRAWING IS UNPUBLISHED. RELEASED FOR PUBLICATION  
 © COPYRIGHT - By - ALL RIGHTS RESERVED.

LOC	DIST	REVISIONS			
P	LTR	DESCRIPTION	DATE	DWN	APVD
AF	50				
	D	REVISED PER ECR-13-011489	04DEC2013	KH	PD

- CONTINUOUS STRIP ON REELS.
- WIRE SIZE IS [#18-#14] AWG.
- INSULATION RANGE 3.05-3.81 [.120-.150] DIA.



63223-1  
PART NO.

THIS DRAWING IS A CONTROLLED DOCUMENT.		DWN	JR RUTH	1/9/97	 <b>TE Connectivity</b>													
DIMENSIONS: mm [INCHES]		CHK	MS FEHER	1/9/97														
TOLERANCES UNLESS OTHERWISE SPECIFIED:		APVD	J HUZVAR	1/9/97														
<table border="0"> <tr><td>0 PLC</td><td>± -</td></tr> <tr><td>1 PLC</td><td>± -</td></tr> <tr><td>2 PLC</td><td>± 0.38 [.015]</td></tr> <tr><td>3 PLC</td><td>± -</td></tr> <tr><td>4 PLC</td><td>± -</td></tr> <tr><td>ANGLES</td><td>± -</td></tr> </table>		0 PLC	± -	1 PLC				± -	2 PLC	± 0.38 [.015]	3 PLC	± -	4 PLC	± -	ANGLES	± -	PRODUCT SPEC	
0 PLC	± -																	
1 PLC	± -																	
2 PLC	± 0.38 [.015]																	
3 PLC	± -																	
4 PLC	± -																	
ANGLES	± -																	
MATERIAL: BRASS		FINISH: TIN		APPLICATION SPEC	SIZE	CAGE CODE	DRAWING NO	RESTRICTED TO										
				WEIGHT: -	A3	00779	C-63223	-										
CUSTOMER DRAWING				SCALE	4:1	SHEET	1 OF 1	REV	D									