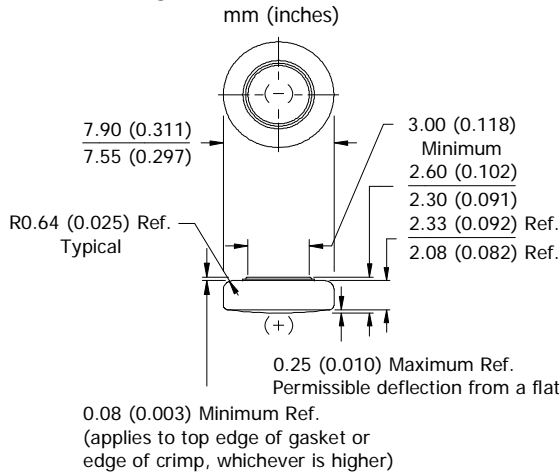


ENERGIZER 397/396

SILVER OXIDE



Industry Standard Dimensions



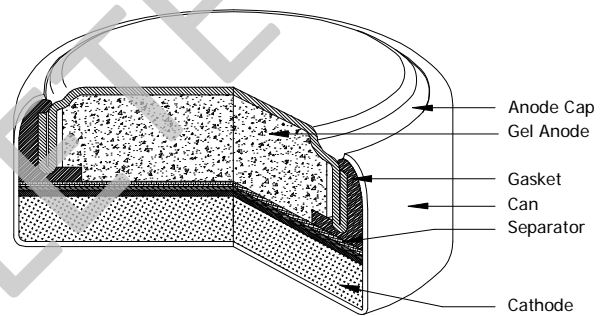
DESIGNED FOR USE ON CONTINUOUS LOW DRAIN  
HIGH PULSE ON DEMAND

Specifications

<b>Chemical System:</b>	Silver Oxide (Zn/Ag <sub>2</sub> O)
<b>Designation:</b>	ANSI-1164SO/1163SO, IEC-SR59
<b>Nominal Voltage:</b>	1.55 Volts
<b>Typical Capacity:</b>	33 mAh* (to 1.2 volts)
<b>Capacity Test:</b>	45K ohm continuous drain at 21°C
<b>Typical Weight:</b>	0.5 grams (0.018 oz.)
<b>Typical Volume:</b>	0.13 cubic centimeters (0.008 cubic inch)
<b>Impedance (40 Hz):</b>	15 to 25 ohms

\* Varies according to the applied load, temperature, and cutoff voltage.

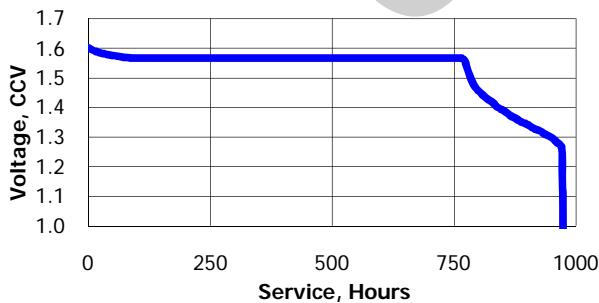
Cross Section



Typical Discharge Characteristics

Typical Performance at 21°C (70°F)

Schedule: Continuous  
Typical Drain @1.53V:  
0.034 milliamperes  
Load: 45K ohm

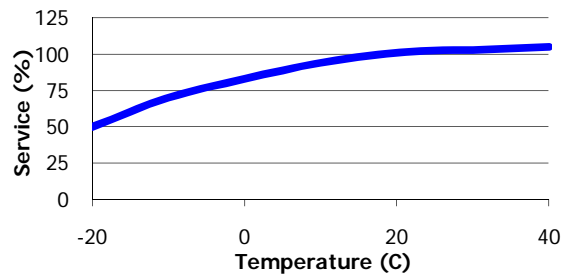


Schedule	Typical Drains at 1.53V (milliamperes)	Load (ohm)	Cutoff (hours)
Continuous	0.034	45K	971

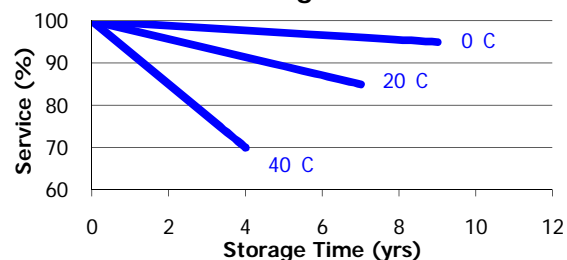
Temperature Characteristics

Typical Performance at Low Discharge Rates

Service Effects



Storage Effects



Important Notice

This datasheet contains typical information specific to products manufactured at the time of its publication.  
© Energizer Holdings, Inc. - Contents herein do not constitute a warranty.