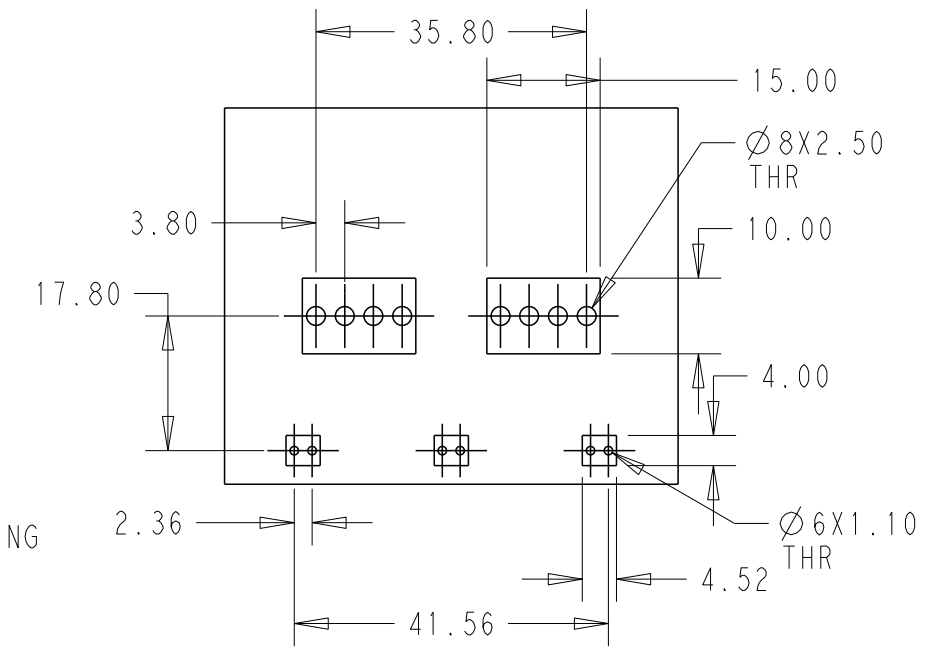
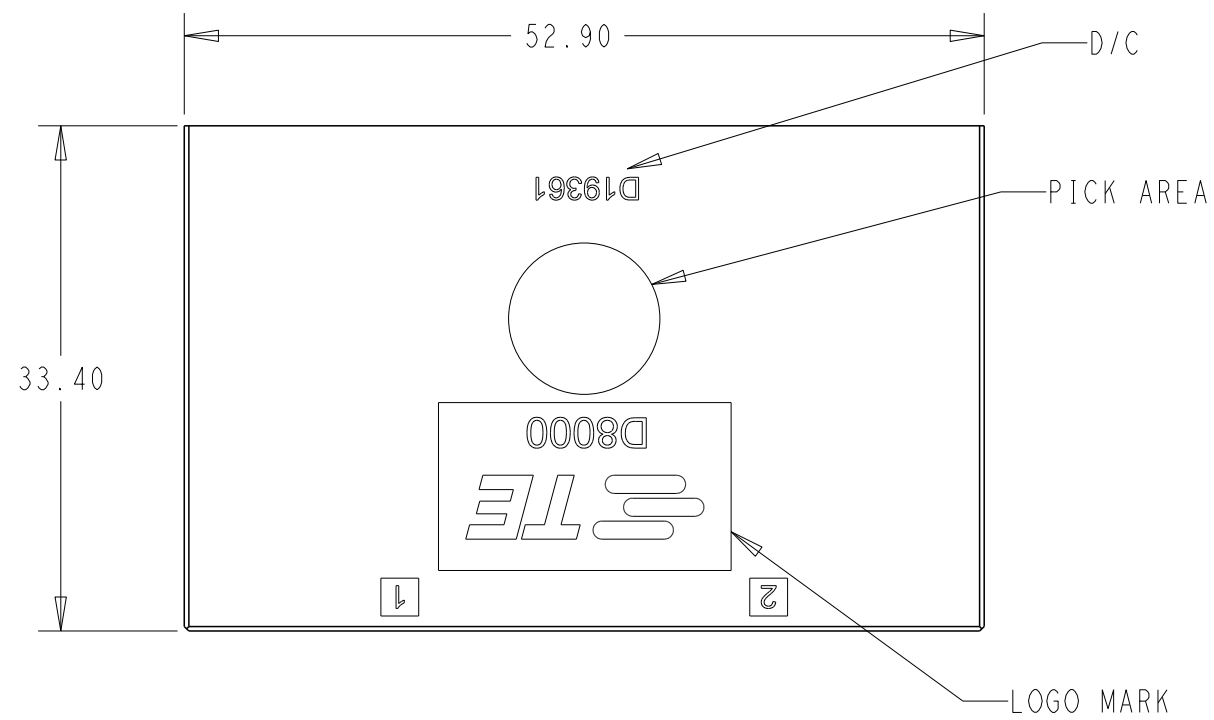


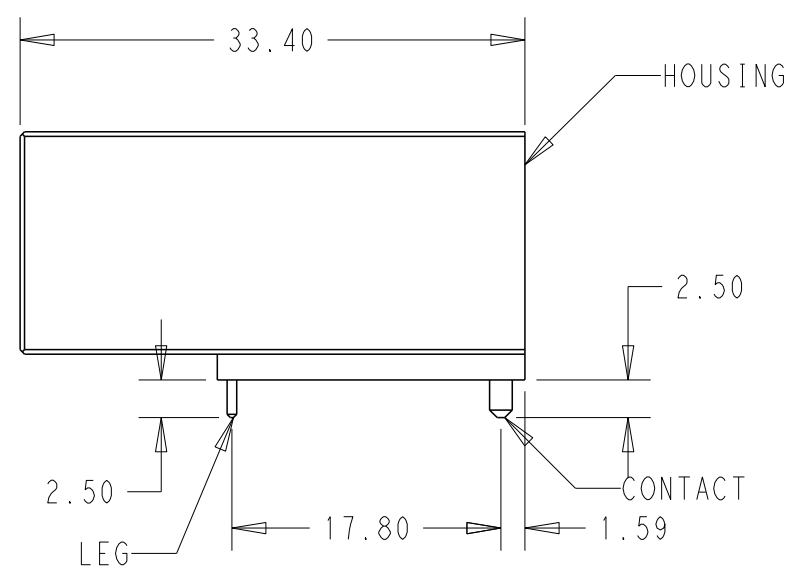
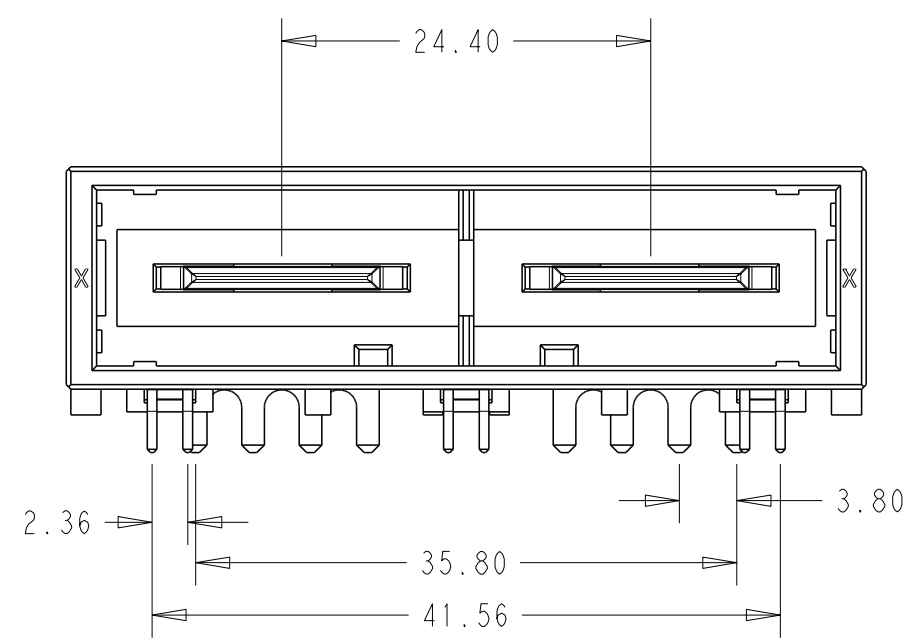
REVISIONS

P	LTR	DESCRIPTION	DATE	DWN	APVD
	A	INITIAL	21JUN2020	A.W	R.B


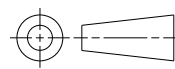
AS SHOWN:1-2351965-2



RECOMENDED PC BOARD HOLE PATTERN(TOL±0.05)
PC BOARD THICKNESS:1.6±0.1



- NOTES
1. MATERIAL:HOUSING:GLASS FILED THERMO PLASTIC, POLYESTER(94V-0),COLOR:BLACK
TAB CONTACT:COPPER ALLOY
RETENTION LEG:COPPER ALLOY
 - 2.FINISH(CONTACT AREA):Ag PLATING OVER NICKEL
FINISH(SOLDER AREA):LEAD FREE TIN PLATING OVER NICKEL
 - 3.FINISH(RETENTION LEG):LEAD FREE TIN OVER NICKEL

THIS DRAWING IS A CONTROLLED DOCUMENT.		DWN ALVIN.W 24MAR2020	 TE Connectivity		
		CHK RICK.B 24MAR2020			
DIMENSIONS: mm		APVD RICK.B 24MAR2020	NAME HEADER ASSEMBLY D8000,DYNAMIC		
 TOLERANCES UNLESS OTHERWISE SPECIFIED: 0 PLC ± 1 PLC ±0.5 2 PLC ±0.4 3 PLC ± 4 PLC ± ANGLES ±		PRODUCT SPEC 108-140254	RESTRICTED TO		
MATERIAL -		APPLICATION SPEC 114-78058	SIZE A3	CAGE CODE 00779	DRAWING NO C-2351965
SEE NOTE		FINISH -	WEIGHT 25.54g	SCALE 1:1	SHEET 1 OF 1
		CUSTOMER DRAWING	REV A		