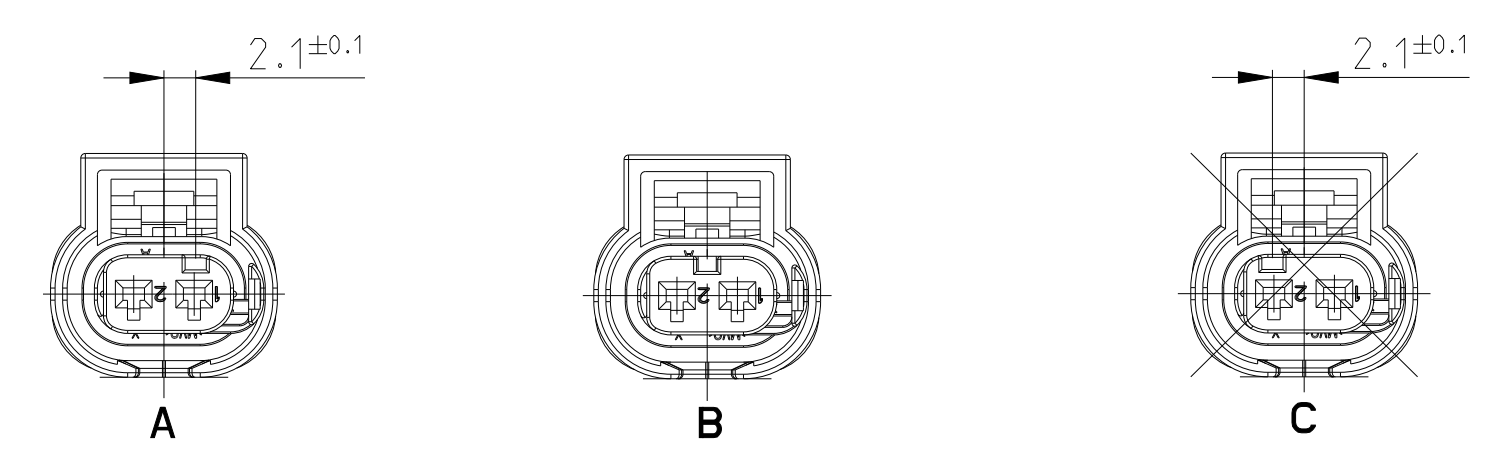


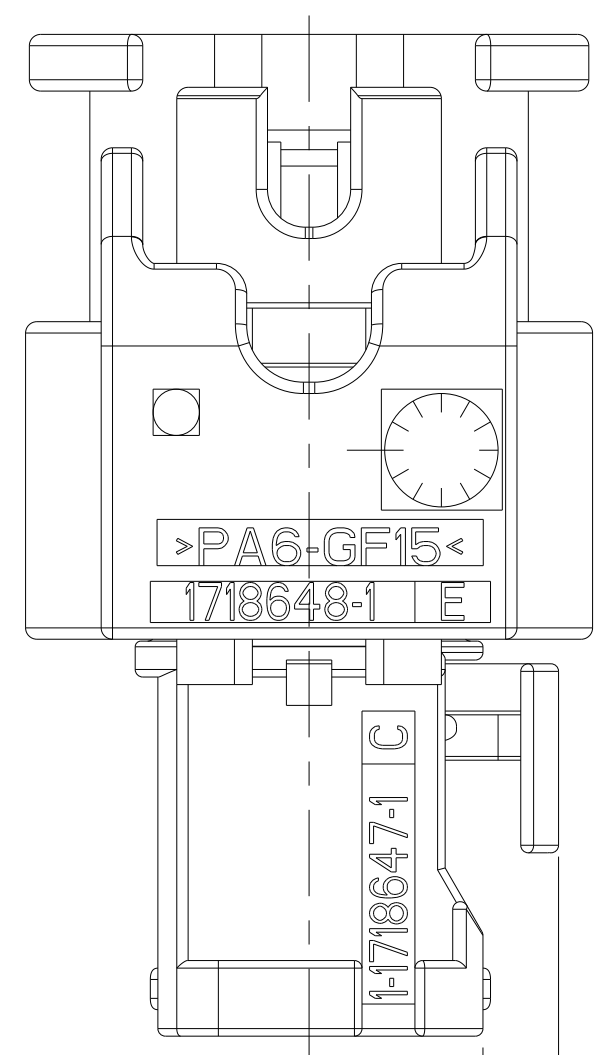
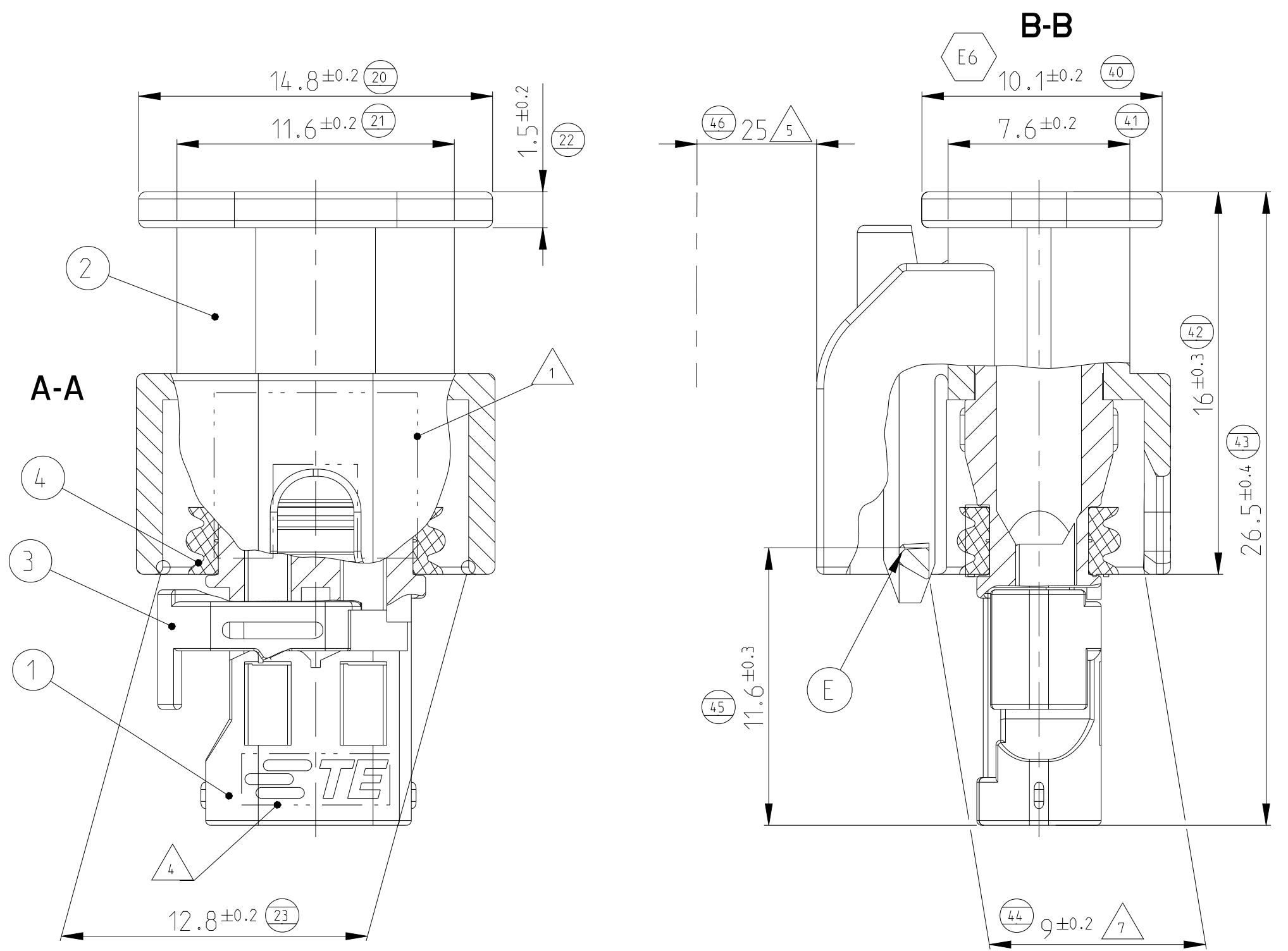
CODINGS
M 2:1

REVISIONS				
P	LTN	DESCRIPTION	DATE	APVD
E3		LASER PRINT CORRECTED	06DEC2017	SZN LSZ
E4		DIVERGENT MARKING ADDED	16AUG2018	LSZ SZN
E5		LASER PRINT UPDATED, DIMENSION CORRECTED	08JAN2020	SZN LSZ
E6		DIMENSION CORRECTED	18MAY2023	SZN LSZ



NOTES:

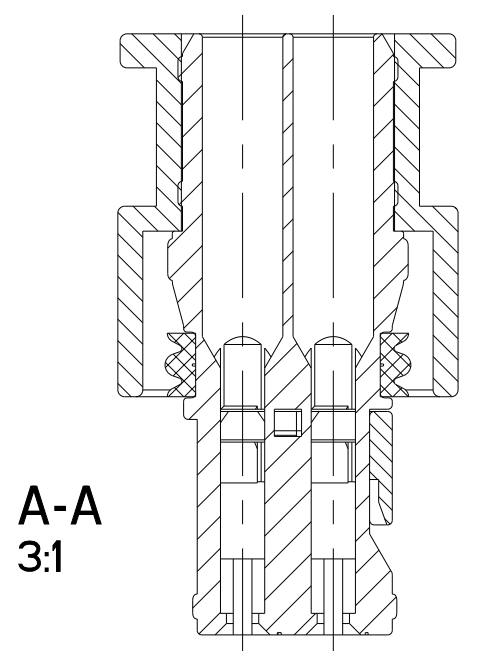
- 1 AREA FOR PRINT
- 2 USABLE CONTACTS MCON 1.2
SEE TE-NO. 1452674, SINGLE WIRE SYSTEM
- 3 MAX. WIRE SIZE RANGE 1.0 mm² FLR PERMITTED
FOR CAVITY-Ø 3.55MM
QUANTITY SEE WIRE HARNESS DRAWING
FOR PERMISSIBLE CURRENT CARRYING CAPACITY OF THE SINGLE CONTACT
SEE PRODUCT SPECIFICATION NO.108-18782
- 4 SUPPLIER-MARK
- 5 SPACE OF ACTIVITY
- 6 SUPPLY CONDITION: RETAINER IN PRELOCKED POSITION
- 7 WARPAGE PERMITTED TO MAX. -0.5mm
- 8 TE ORDER-NO.
- 9 ACCORDING TO INTERFACE DRAWING
SEE TE-NO. 114-18679-3
- 10 ASSEMBLY LINE SEGMENT IDENTIFICATION
- 11 DATE CODE (DDYY)
- E5 12 DIVERGENT MARKING FOR PARTS FROM U.S. and CHINA PRODUCTION



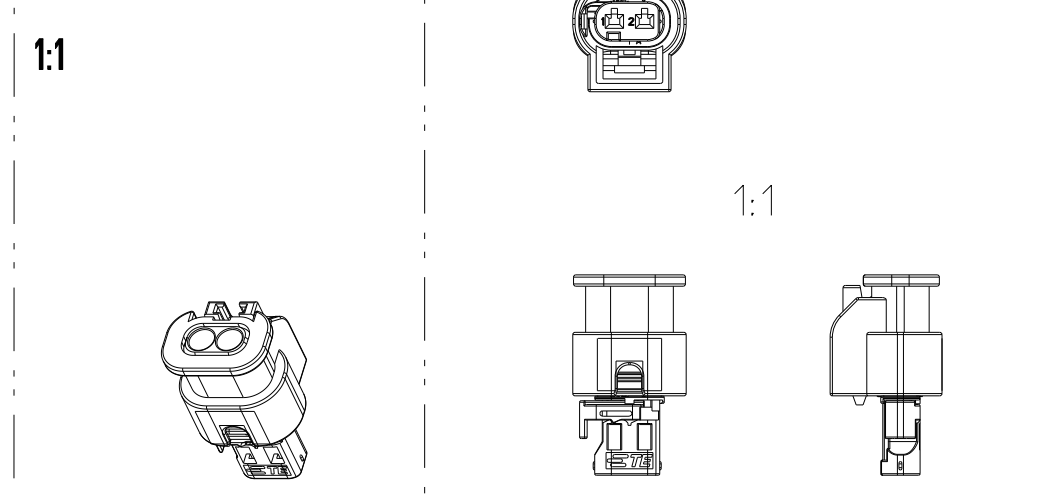
MOVING AREA OF THE RETAINER

CODING A AS SHOWN

RETAINER IN END POSITION



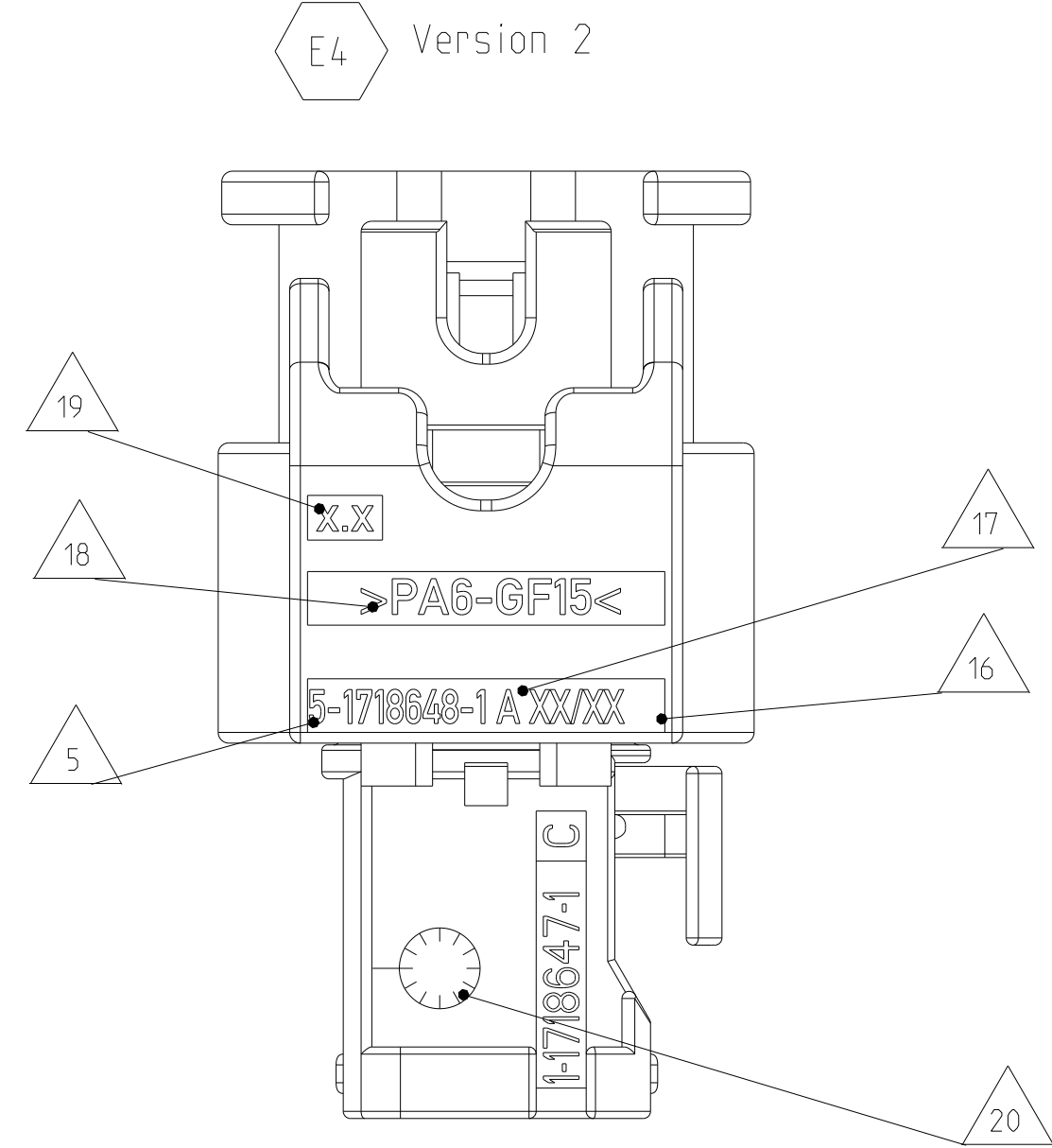
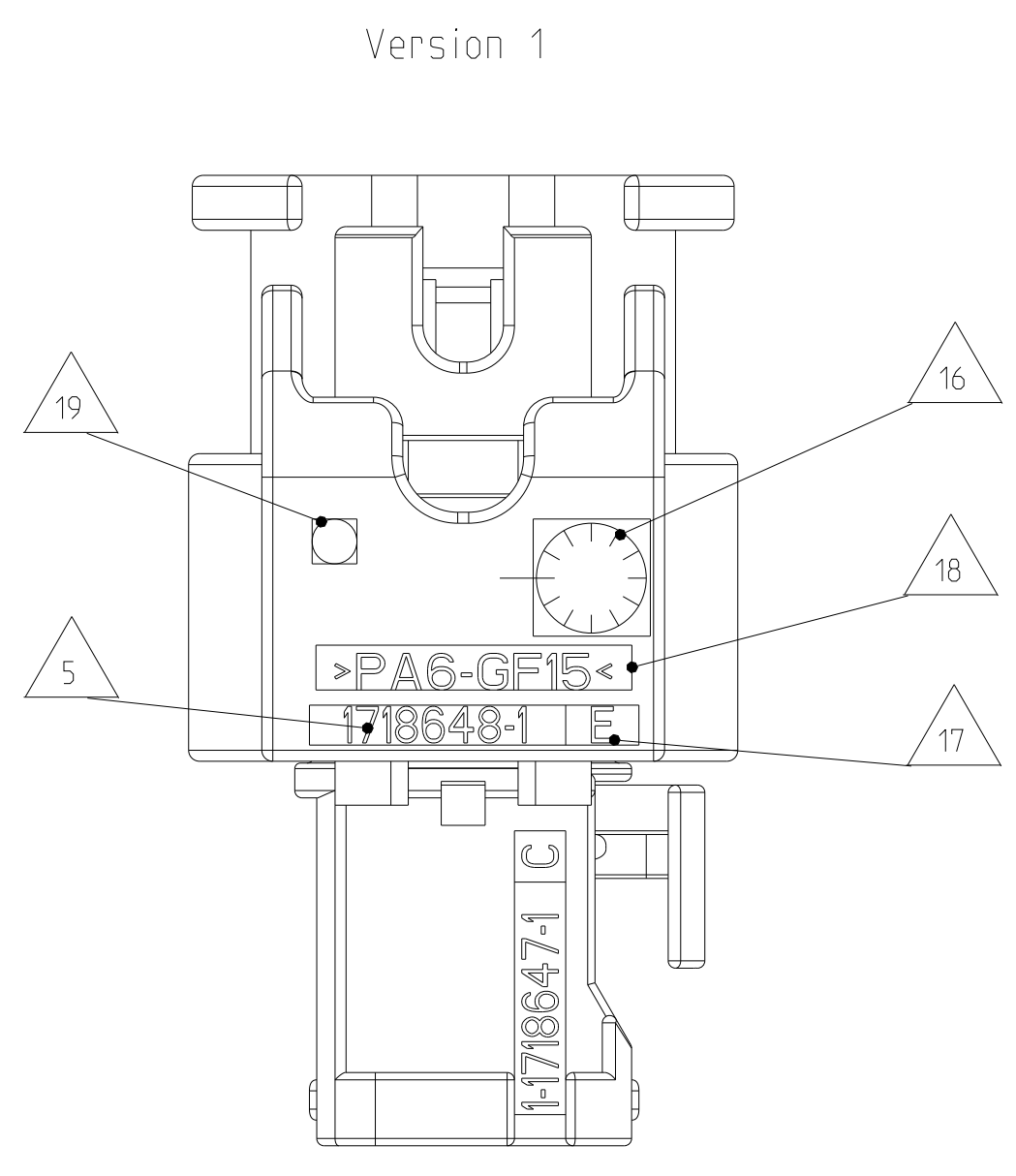
3D VIEW



THIS DRAWING IS A CONTROLLED DOCUMENT.		OWN R. Bachmann 19DEC2006	TE Connectivity	
DIMENSIONS: mm		CHK A. Schraebel		
TOLERANCES UNLESS OTHERWISE SPECIFIED:		APVD J. Woller	NAME 2pos. MCON 1.2 - LL Connector, Sealed	
0-PLC ±0.50mm		PRODUCT SPEC 108-18969	SIZE CAGE CODE DRAWING NO RESTRICTED TO	
1-PLC ±0.13		APPLICATION SPEC 114-18861	A1 00779 C=1670916	
2-PLC ±0.013		WEIGHT 2.4 g	SCALE 5:1 SHEET 1 OF 2 REV E6	
3-PLC ±0.001		CUSTOMER DRAWING		
ANGLES ±0.001				
FINISH				
MATERIAL TBD				

REVISIONS				
P	LTN	DESCRIPTION	DATE	APVD
		SEE SHEET 1		

E4 Divergent marking is allowed for parts from different tools



- 5 TE PART NO.:
- 16 - CIRCULAR DATE INSERT ONLY FOR VERSION 1
- DATE FORMAT FOR VERSION 2 (YY/MM)
- 17 REVISION, CORRESPONDING TO ACTUAL REVISION
- 18 MATERIAL IDENTIFICATION
- 19 MOULD CAVITY IDENTIFICATION
- 20 DATE INSERT FOR RECEPTACLE HOUSING

TE-ORDER-NO.	COD	DESCRIPTION	REV	QTY	DESCRIPTION	MATERIAL	SURFACE/COLOUR	ITEM
3-1670916-1	C	2pos. MCON 1.2 - LL Connector Sealed	A	1	2pos. MCON 1.2 - Seal	MVQ	NATURE	4
				1	2pos. MCON 1.2 - Retainer	PA66-GF15	VIOLETT	3
				1	2pos. MCON 1.2 - Protec. Cover	PA6-GF15	BLACK	2
				1	2pos. MCON 1.2 - Receptacle Hsg.	PA66-GF30	BLUE	1
2-1670916-1	B	2pos. MCON 1.2 - LL Connector Sealed	E	1	2pos. MCON 1.2 - Seal	MVQ	NATURE	4
				1	2pos. MCON 1.2 - Retainer	PA66-GF15	VIOLETT	3
				1	2pos. MCON 1.2 - Protec. Cover	PA6-GF15	BLACK	2
				1	2pos. MCON 1.2 - Receptacle Hsg.	PA66-GF30	NATURE	1
1-1670916-1	A	2pos. MCON 1.2 - LL Connector Sealed	E	1	2pos. MCON 1.2 - Seal	MVQ	NATURE	4
				1	2pos. MCON 1.2 - Retainer	PA66-GF15	VIOLETT	3
				1	2pos. MCON 1.2 - Protec. Cover	PA6-GF15	BLACK	2
				1	2pos. MCON 1.2 - Receptacle Hsg.	PA66-GF30	BLACK	1

THIS DRAWING IS A CONTROLLED DOCUMENT. DWN 16AUG2018

TE Connectivity

NAME: CONNECTOR, 2 POS., MCON-1.2, SEALED
 Gehäuse, 2 pol., MCON-1.2, dichts

SIZE: A1 CAGE CODE: 00779 DRAWING NO: 1670916

SCALE: 5:1 SHEET: 2 OF 2 REV: E6