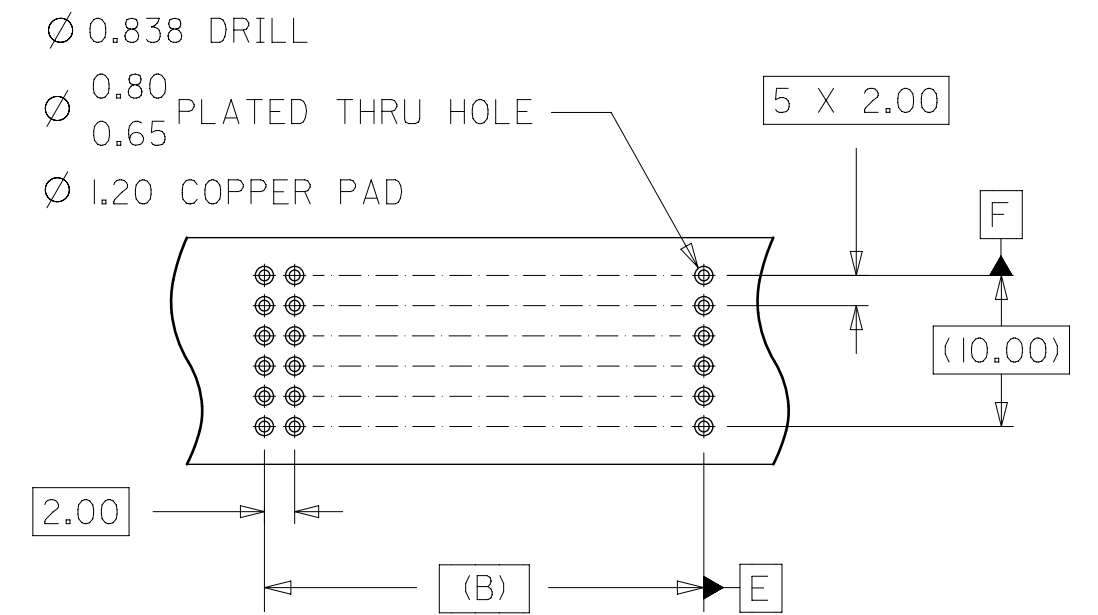
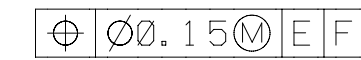
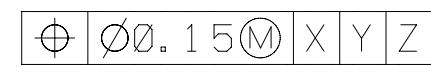
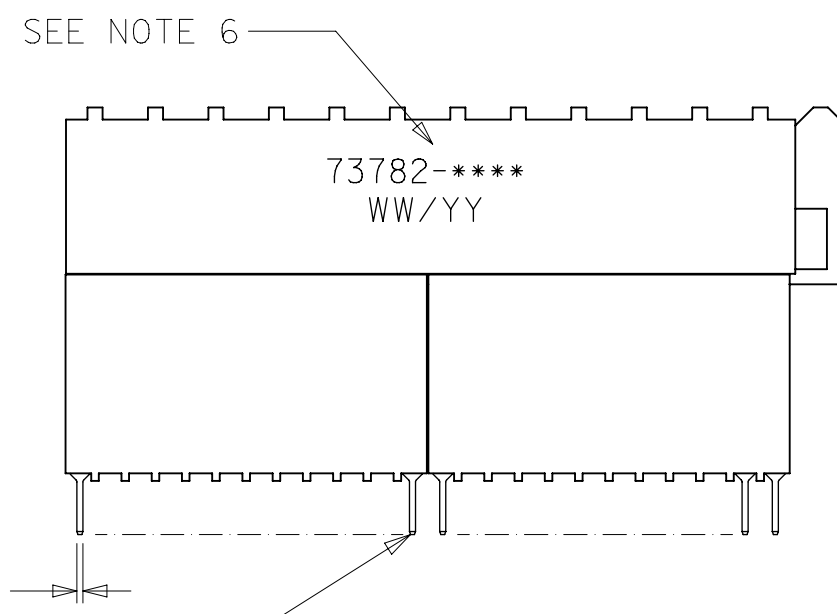
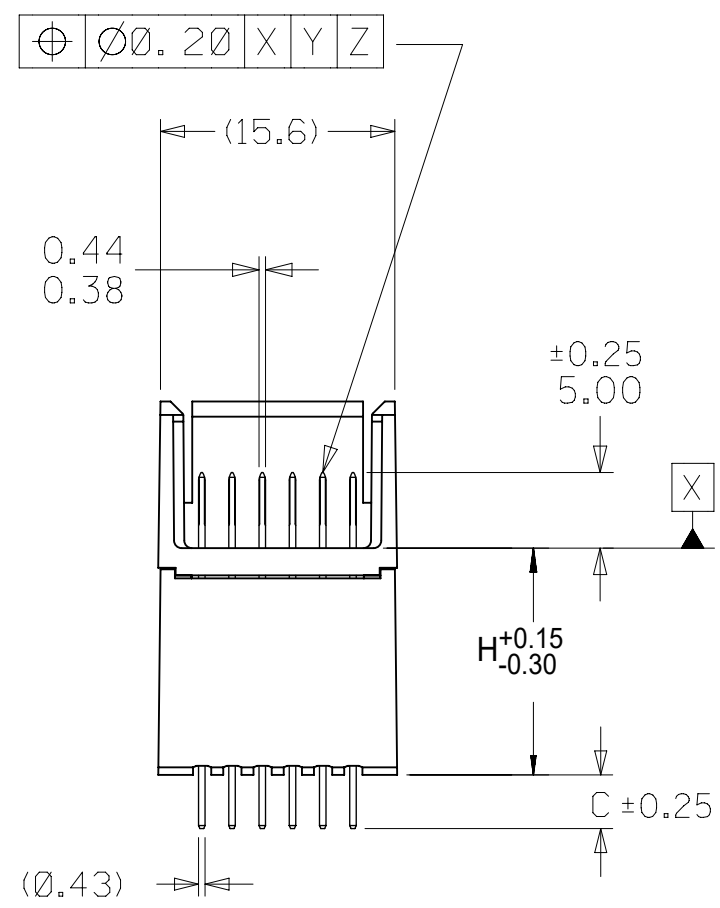
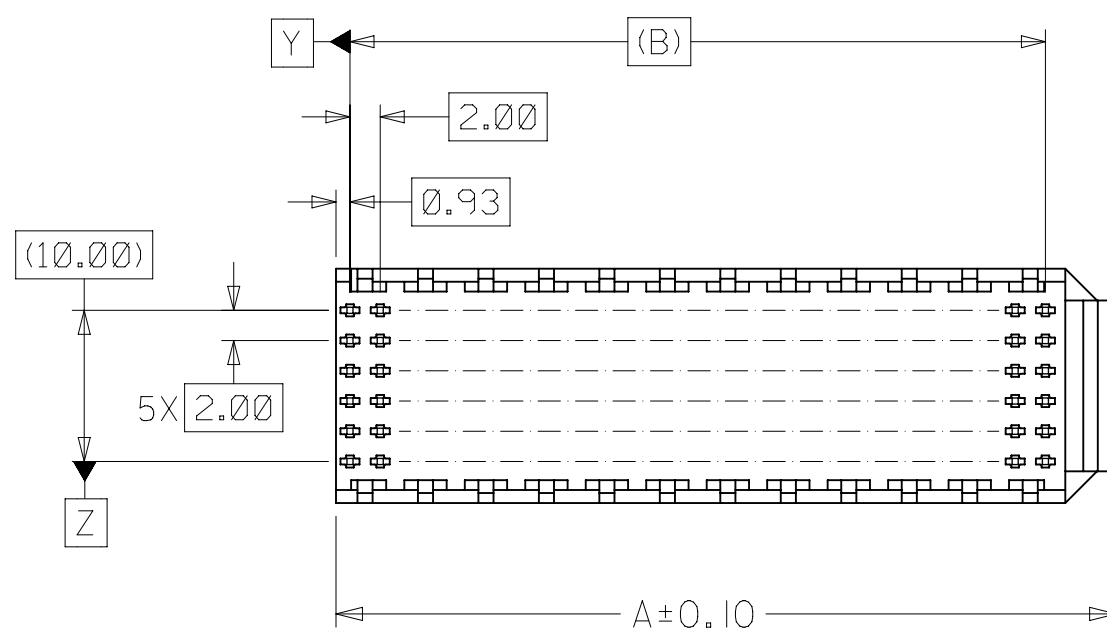


NOTES:

1. MATERIALS: HOUSING-LIQUID CRYSTAL POLYMER (LCP), GLASS-FILLED, UL94V-0, COLOR: BLACK.  
TERMINAL-PHOSPHOR BRONZE
2. FINISH:  
0.75 MICROMETERS MINIMUM SELECTIVE GOLD IN MATING AREA  
2.50 MICROMETERS MINIMUM SELECTIVE TIN IN TAIL AREA  
NICKEL UNDERPLATE OVERALL.
3. THIS PART CONFORMS TO MOLEX PRODUCT SPECIFICATION PS-73780-999.
4. THIS PART CONFORMS TO MOLEX COSMETIC SPECIFICATION PS-45499-002 CLASS C.
5. SEE TABLE ON SHEET 2 FOR PACKAGING SPECIFICATION.
6. PARTS MARKED WITH PART NUMBER AND DATE CODE APPROXIMATELY WHERE SHOWN.



BACKPLANE HOLE PATTERN

PRE-RELEASE  
REFERENCE  
USE ONLY

THIS DRAWING CONTAINS INFORMATION THAT IS PROPRIETARY TO MOLEX ELECTRONIC TECHNOLOGIES, LLC AND SHOULD NOT BE USED WITHOUT WRITTEN PERMISSION									
DIMENSION UNITS <b>mm</b>		SCALE <b>2:1</b>		CURRENT REV DESC: REMOVED OBSOLETE PART NUMBER AS PER PCN#511698.				<b>molex</b>	
GENERAL TOLERANCES (UNLESS SPECIFIED)				EC NO: 742551		SALES ASSEMBLY, HDM			
4 PLACES ±		MM INCH		DRWN: SANTHN 2023/03/30		BACKPLANE STACKING MOD CLOSED END SOLDER		PRODUCT CUSTOMER DRAWING	
3 PLACES ±				CHK'D: GGA 2023/05/12		DOCUMENT NUMBER		DOC TYPE DOC PART REVISION	
2 PLACES ± 0.05				APPR: GGA 2023/05/12		SD-73782-001		PSD 001 J	
1 PLACE ± 0.1				INITIAL REVISION:		MATERIAL NUMBER		CUSTOMER	
0 PLACES ±				DRWN: JBINGHAM 1997/04/25		SEE SHEET 2		GENERAL MARKET	
ANGULAR TOL ± 0.5°				APPR: CBIXLER 1997/04/25		SHEET NUMBER		1 OF 2	
DRAFT WHERE APPLICABLE MUST REMAIN WITHIN DIMENSIONS		THIRD ANGLE PROJECTION		DRAWING C-SIZE		SERIES 73782			

