

PLEASE CHECK WWW.MOLEX.COM FOR LATEST PART INFORMATION

Part Number: [0621008600](#)
Status: **Active**
Overview: [Application Tooling](#)
Description: Removal Tool for 12.5 Gbps Module, 278 Circuit

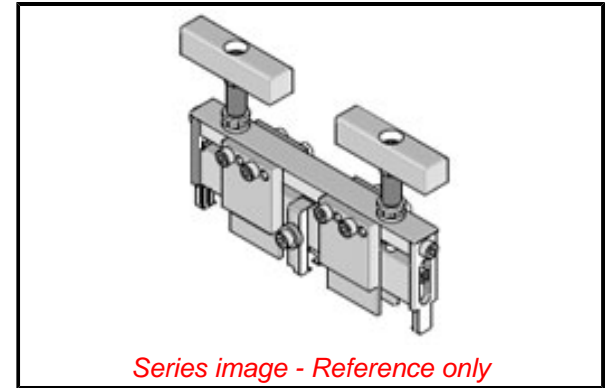
Documents:
[RoHS Certificate of Compliance \(PDF\)](#)

General

| | |
|--------------------------------|---|
| Product Family | Application Tooling |
| Series | 207123 |
| Comments | See Tooling Specification (PDF) Above, See Tooling Specification (PDF) Above |
| Function | Removal |
| Geographic Area | Global |
| Level of Automation | Manual |
| More Detailed Tech Information | applicationtooling@molex.com |
| Overview | Application Tooling |
| Product Name | EdgeLine |
| Tool Type | Press-Fit Extraction Tool |
| UPC | 883906916909 |
| Warranty Disclaimer | CAUTION: Molex tooling crimp specifications are valid only when used with Molex terminals and tooling manufactured by Molex and sold by Molex or authorized distributors ("Molex Tooling"). When using tooling other than Molex Tooling with Molex specific connector systems listed in our ATS documents, the Molex tooling qualification does not apply and the responsibility for full qualification of the connector system is that of the customer. Molex accepts no liability for connector performance or tooling support where tooling other than Molex Tooling is used or where Molex Tooling is modified. |

Material Info

Reference - Drawing Numbers
Application Tooling Documents [ATS-621008600](#)



EU ELV

Not Relevant

EU RoHS

Compliant

REACH SVHC

Not Contained Per - ED/71/2019 (16 July 2019)

Halogen-Free

Status

Not Relevant

For more information, please visit [Contact US](#)

China ROHS

Not Relevant

ELV

Not Relevant

RoHS Phthalates

Not Contained

Search Parts in this Series

[207123 Series](#)

Use With

[76691](#) EdgeLine 12.5 Gbps Edge Card Connector

Application Tooling | **FAQ**

Description | **Product #**

| | |
|--|-------------------------|
| 1.57mm Diameter, Standard .062" Pin and Socket Crimp Terminal, Female, with Tin (Sn) Plated Brass Contact, 18-24 AWG, Reel | 2061101 |
| 1.57mm Diameter, Standard .062" Pin and Socket Crimp Terminal, Female, with Tin (Sn) Plated Brass Contact, 18-24 AWG, Bag | 2061103 |
| 1.57mm Diameter, Standard .062" Pin | 2061104 |

and Socket Crimp
Terminal, Series
4529, Female, with
Tin (Sn) Plated
Phosphor Bronze
Contact, 18-24 AWG,
Reel

1.57mm Diameter, 2061118

Standard .062" Pin
and Socket Crimp
Terminal, Series
1561, Female, with
Tin (Sn) Plated Brass
Contact, Without
Locking Tabs,
18-24 AWG, Reel
Packaged

1.57mm Diameter, 2061131

Standard .062" Pin
and Socket Crimp
Terminal, Series
1855, Female, with
Tin (Sn) Plated Brass
Contact, 24-30 AWG,
Reel

1.57mm Diameter, 2061132

Standard .062" Pin
and Socket Crimp
Terminal, Series
1855, Female, with
Tin (Sn) Plated Brass
Contact, 24-30 AWG,
Bag

1.57mm Diameter, 2061141

Standard .062" Pin
and Socket Crimp
Terminal, Series
1855, Female, with
Tin (Sn) Plated
Brass Contact,
24-30 AWG, Without
Locking Tabs, Reel
Packaged

1.57mm Diameter, 2061143

Standard .062" Pin
and Socket Crimp
Terminal, Series
1855, Female, with
Tin (Sn) Plated Brass
Contact, 24-30 AWG,
Reel Packaged with
Interleaf Paper

1.57mm Diameter, 2062101

Standard .062" Pin
and Socket Crimp
Terminal, Series
1560, Male, with Tin
(Sn) Plated Brass
Contact, 18-24 AWG,
Reel

1.57mm Diameter, 2062103

Standard .062" Pin
and Socket Crimp
Terminal, Series
1560, Male, with Tin

(Sn) Plated Brass
Contact, 18-24 AWG,
Bag
1.57mm Diameter, 2062131
Standard .062" Pin
and Socket Crimp
Terminal, Series
1854, Male, with Tin
(Sn) Plated Brass
Contact, 24-30 AWG,
Reel
1.57mm Diameter, 2062132
Standard .062" Pin
and Socket Crimp
Terminal, Series
1854, Male, with Tin
(Sn) Plated Brass
Contact, 24-30 AWG,
Bag
1.57mm Diameter, 2065100
Standard .062" Pin
and Socket Crimp
Terminal, Female,
with 0.38 μ m Gold
(Au) Plated Brass
Contact, 18-24 AWG,
Reel
1.57mm Diameter, 2065101
Standard .062" Pin
and Socket Crimp
Terminal, Female,
with 0.76 μ m Gold
(Au) Plated Brass
Contact, 18-24 AWG,
Reel
1.57mm Diameter, 2065102
Standard .062" Pin
and Socket Crimp
Terminal, Female,
with 0.76 μ m Gold
(Au) Plated Brass
Contact, 18-24 AWG,
Bag
1.57mm Diameter, 2065103
Standard .062" Pin
and Socket Crimp
Terminal, Female,
with 0.38 μ m Gold
(Au) Plated Brass
Contact, 18-24 AWG,
Bag
1.57mm Diameter, 2065104
Standard .062" Pin
and Socket Crimp
Terminal, Series
1561, Female,
with 1.27 μ m Gold
Max. Insulation
Diameter, Loose in
Bag Packaged
1.57mm Diameter, 2065105
Standard .062" Pin
and Socket Crimp
Terminal, Series
1561, Female, with

1.27µm Gold Max.
Insulation Diameter,
Reel

1.57mm Diameter, 2065108
Standard .062" Pin
and Socket Crimp
Terminal, Female,
with Selective Gold
(Au) Plated Brass
Contact, 18-24 AWG,
Reel

1.57mm Diameter, 2065109
Standard .062" Pin
and Socket Crimp
Terminal, Female,
with Selective Gold
(Au) Plated Brass
Contact, 18-24 AWG,
Bag

1.57mm Diameter, 2065130
Standard .062" Pin
and Socket Crimp
Terminal, Series
1855, Female,
with 0.38µm Gold
(Au) Plated Brass
Contact, 24-30 AWG,
Reel

1.57mm Diameter, 2065135
Standard .062" Pin
and Socket Crimp
Terminal, Series
1855, Female,
with 0.38µm Gold
(Au) Plated Brass
Contact, 24-30 AWG,
Bag

1.57mm Diameter, 2065138
Standard .062" Pin
and Socket Crimp
Terminal, Series
1855, Female,
with 0.76µm Gold
(Au) Plated Brass
Contact, 24-30 AWG,
Reel

1.57mm Diameter, 2065139
Standard .062" Pin
and Socket Crimp
Terminal, Series
1855, Female,
with 0.76µm Gold
(Au) Plated Brass
Contact, 24-30 AWG,
Bag

1.57mm Diameter, 2065147
Standard .062" Pin
and Socket Crimp
Terminal, Series
1855, Female, with
Selective Gold
(Au) Plated Brass
Contact, 24-30 AWG,
Reel

1.57mm Diameter, [2065148](#)
Standard .062" Pin
and Socket Crimp
Terminal, Series
1855, Female, with
Selective Gold
(Au) Plated Brass
Contact, 24-30 AWG,
Bag

1.57mm Diameter, [2066100](#)
Standard .062" Pin
and Socket Crimp
Terminal, Series
1560, Male, with
Gold (Au) Plated
Brass Contact, 18-24
AWG, Reel

1.57mm Diameter, [2066101](#)
Standard .062"
Pin and Socket
Crimp Terminal,
Series 1560, Male,
with .76µm Selective
Gold (Au) Plated
Brass Contact,
18-24 AWG, Reel
Packaged

1.57mm Diameter, [2066102](#)
Standard .062"
Pin and Socket
Crimp Terminal,
Series 1560, Male,
with .76µm Selective
Gold (Au) Plated
Brass Contact, 18-24
AWG, Bag Packaged

1.57mm Diameter, [2066103](#)
Standard .062" Pin
and Socket Crimp
Terminal, Series
1560, Male, with
Gold (Au) Plated
Brass Contact, 18-24
AWG, Bag

1.57mm Diameter, [2066104](#)
Standard .062"
Pin and Socket
Crimp Terminal,
Series 1560, Male,
with Selective
1.27µm Select Gold
(Au) Plated Brass
Contact, 18-24 AWG,
Bag Packaged

1.57mm Diameter, [2066118](#)
Standard .062" Pin
and Socket Crimp
Terminal, Series
1560, Male, with
Selective Gold
(Au) Plated Brass
Contact, Tin/Lead
Plated Crimp Area,
18-24 AWG, Reel

1.57mm Diameter, [2066119](#)
Standard .062" Pin
and Socket Crimp
Terminal, Series
1560, Male, with
Selective Gold
(Au) Plated Brass
Contact, Tin/Lead
Plated Crimp Area,
18-24 AWG, Bag

1.57mm Diameter, [2066122](#)
Standard .062"
Pin and Socket
PC Tail Terminal,
Series 1778, Male,
with Selective Gold
(Au) Plated Brass
Contact, Bag

1.57mm Diameter, [2066130](#)
Standard .062" Pin
and Socket Crimp
Terminal, Series
1854, Male, with
Gold (Au) Plated
Brass Contact, 24-30
AWG, Reel

1.57mm Diameter, [2066135](#)
Standard .062" Pin
and Socket Crimp
Terminal, Series
1854, Male, with
Gold (Au) Plated
Brass Contact, 24-30
AWG, Bag

1.57mm Diameter, [2066138](#)
Standard .062" Pin
and Socket Crimp
Terminal, Series
1854, Male, with
Selective Gold
(Au) Plated Brass
Contact, 24-30 AWG,
Reel

1.57mm Diameter, [2066139](#)
Standard .062" Pin
and Socket Crimp
Terminal, Series
1854, Male, with
Selective Gold
(Au) Plated Brass
Contact, 24-30 AWG,
Bag

1.57mm Diameter, [2066143](#)
Standard .062" Pin
and Socket Crimp
Terminal, Series
1854, Male, with
Selective Gold
(Au) Plated Brass
Contact, Tin (Sn)
Plated Crimp Area,
24-30 AWG, Reel

1.57mm Diameter, [2066144](#)
Standard .062" Pin
and Socket Crimp

Terminal, Series
1854, Male, with
Selective Gold
(Au) Plated Brass
Contact, Tin (Sn)
Plated Crimp Area,
24-30 AWG, Bag
1.57mm Diameter, 2067103
Standard .062" Pin
and Socket PC Tail

Terminal, Series
1779, Female,
with 2.54µm Tin
(Sn) Plated Brass
Contact, Bag
Packaged
1.57mm Diameter, 2067104
Standard .062" Pin
and Socket PC Tail

Terminal, Series
1779, Female,
with .76µm Selective
Gold (Au) Plated
Brass Contact, Bag
Packaged
1.57mm Diameter, 2068103
Standard .062" Pin
and Socket PC Tail

Terminal, Series
1778, Male, with Tin
(Sn) Plated Brass
Contact, Bag
MLX Crimp Terminal 2082008
42023, 14-20 AWG,
Bag Selective Gold
(Au)
2.36mm Diameter, 2091102
Standard .093" Pin
and Socket Crimp

Terminal, Series
1189, Female, with
Tin (Sn) Plated Brass
Contact, 14-20 AWG,
Reel
2.36mm Diameter, 2091104
Standard .093" Pin
and Socket Crimp

Terminal, Series
1189, Female, with
Tin (Sn) Plated Brass
Contact, 14-20 AWG,
Bag
2.36mm Diameter, 2091117
Standard .093" Pin
and Socket Crimp

Terminal, Series
1381, Female, with
Tin (Sn) Plated Brass
Contact, 18-22 AWG,
Reel
2.36mm Diameter, 2091119
Standard .093" Pin
and Socket Crimp

Terminal, Series
1381, Female, with

Tin (Sn) Plated Brass
Contact, 18-22 AWG,
Bag
2.36mm Diameter, 2091122
Standard .093" Pin
and Socket Crimp
Terminal, Series
2273, Female, with
Tin (Sn) Plated
Contact, Low
Engagement Force,
18-22 AWG, Reel
2.36mm Diameter, 2091123
Standard .093" Pin
and Socket Crimp
Terminal, Series
2273, Female, with
Tin (Sn) Plated
Contact, Low
Engagement Force,
18-22 AWG, Bag
2.36mm Diameter, 2091134
Standard .093" Pin
and Socket PC Tail
Terminal, Series
1377, Female, with
Tin (Sn) Plated
Contact, Bag
2.36mm Diameter, 2091155
Standard .093" Pin
and Socket Crimp
Terminal, Series
41483, Female, with
Tin (Sn) Plated Brass
Contact, 14-18 AWG
with Large Insulation
Diameter, Chain
2.36mm Diameter, 2091205
Standard .093" Pin
and Socket Crimp
Terminal, Series
4550, Female, with
Tin (Sn) Plated
Phosphor Bronze
Contact, 14-20 AWG,
Reel
2.36mm Diameter, 2091206
Standard .093" Pin
and Socket Crimp
Terminal, Series
4550, Female, with
Tin (Sn) Plated
Phosphor Bronze
Contact, 14-20 AWG,
Bag
2.36mm Diameter, 2091615
Standard .093"
Pin and Socket
Crimp Terminal,
Series 42477,
Female, with Tin
(Sn) Plated Contact,
High Current/Low
Engagement Force,
14-18 AWG, Reel

2.36mm Diameter, [2092101](#)
Standard .093" Pin
and Socket Crimp
Terminal, Series
1190, Male, with Tin
(Sn) Plated Brass
Contact, 14-20 AWG,
Reel

2.36mm Diameter, [2092103](#)
Standard .093" Pin
and Socket Crimp
Terminal, Series
1190, Male, with Tin
(Sn) Plated Brass
Contact, 14-20 AWG,
Bag

2.36mm Diameter, [2092116](#)
Standard .093" Pin
and Socket Crimp
Terminal, Series
1380, Male, with Tin
(Sn) Plated Brass
Contact, 18-22 AWG,
Reel

2.36mm Diameter, [2092117](#)
Standard .093" Pin
and Socket Crimp
Terminal, Series
1380, Male, with Tin
(Sn) Plated Brass
Contact, without
Dents, 18-22 AWG,
Reel

2.36mm Diameter, [2092118](#)
Standard .093" Pin
and Socket Crimp
Terminal, Series
1380, Male, with Tin
(Sn) Plated Brass
Contact, 18-22 AWG,
Bag

2.36mm Diameter, [2092133](#)
Standard .093" Pin
and Socket PC Tail
Terminal, Series
1376, Male, with Tin/
Lead (Sn/Pb) Plated
Contact, With Detent,
Bag Packaged

2.36mm Diameter, [2092134](#)
Standard .093" Pin
and Socket PC Tail
Terminal, Series
1376, Male, with Tin
(Sn) Plated Contact,
Without Detent, Bag
Packaged

2.36mm Diameter, [2092166](#)
Standard .093" Pin
and Socket Crimp
Terminal, Series
4549, Male, with
Tin (Sn) Plated
Phosphor Bronze

Contact, 14-20 AWG,
Reel Packaged
2.36mm Diameter, 2092167
Standard .093" Pin
and Socket Crimp
Terminal, Series
4549, Male, with
Tin (Sn) Plated
Phosphor Bronze
Contact, 14-20 AWG,
Bag Packaged
2.36mm Diameter, 2092170
Standard .093" Pin
and Socket Crimp
Terminal, Series
1190, Male, with Tin
(Sn) Plated Brass
Contact, 14-18 AWG,
Large Insulation
Crimp, Reel
2.36mm Diameter, 2092171
Standard .093" Pin
and Socket Crimp
Terminal, Series
1190, Male, with Tin
(Sn) Plated Brass
Contact, 14-18 AWG,
Large Insulation
Crimp, Bag
2.36mm Diameter, 2092611
Standard .093" Pin
and Socket Crimp
Terminal, Series
42478, Male, with Tin
(Sn) Plated Contact,
High Current/Low
Engagement Force,
14-18 AWG, Reel
2.36mm Diameter, 2095100
Standard .093" Pin
and Socket Crimp
Terminal, Series
1189, Female, with
Gold (Au) Plated
Brass Contact, 14-20
AWG, Reel
2.36mm Diameter, 2095101
Standard .093" Pin
and Socket Crimp
Terminal, Series
1190, Male, with Tin
(Sn) Plated Brass
Contact, 14-20 AWG,
Chain
2.36mm Diameter, 2095102
Standard .093" Pin
and Socket Crimp
Terminal, Series
1189, Female, with
Selective Gold
(Au) Plated Brass
Contact, 14-20 AWG,
Reel
2.36mm Diameter, 2095106
Standard .093" Pin

and Socket Crimp
Terminal, Series
1189, Female, with
Gold (Au) Plated
Brass Contact, 14-20
AWG, Bag
2.36mm Diameter, [2095111](#)
Standard .093" Pin
and Socket Crimp
Terminal, Series
1189, Female, with
Selective Gold
(Au) Plated Brass
Contact, 14-20 AWG,
Bag
2.36mm Diameter, [2095130](#)
Standard .093" Pin
and Socket Crimp
Terminal, Series
1381, Female, with
Selective Gold
(Au) Plated Brass
Contact, 18-22 AWG,
Reel
2.36mm Diameter, [2095132](#)
Standard .093" Pin
and Socket PC Tail
Terminal, Series
1377, Female, with
Gold (Au) Plated
Contact, Bag
2.36mm Diameter, [2095133](#)
Standard .093" Pin
and Socket Crimp
Terminal, Series
1381, Female, with
Selective Gold
(Au) Plated Brass
Contact, 18-22 AWG,
Bag
2.36mm Diameter, [2095142](#)
Standard .093" Pin
and Socket Crimp
Terminal, Series
1381, Female, with
Gold (Au) Plated
Brass Contact, 18-22
AWG, Bag
2.36mm Diameter, [2095143](#)
Standard .093" Pin
and Socket Crimp
Terminal, Series
1381, Female, with
Gold (Au) Plated
Brass Contact, 18-22
AWG, Reel
2.36mm Diameter, [2095169](#)
Standard .093" Pin
and Socket Crimp
Terminal, Series
4550, Female, with
Gold (Au) Plated
Phosphor Bronze
Contact, 14-20 AWG,
Reel

2.36mm Diameter, [2095170](#)
Standard .093" Pin
and Socket Crimp
Terminal, Series
4550, Female, with
Gold (Au) Plated
Phosphor Bronze
Contact, 14-20 AWG,
Bag

2.36mm Diameter, [2096100](#)
Standard .093" Pin
and Socket Crimp
Terminal, Series
1190, Male, with
Gold (Au) Plated
Brass Contact, 14-20
AWG, Reel

2.36mm Diameter, [2096101](#)
Standard .093" Pin
and Socket Crimp
Terminal, Series
1190, Male, with
Selective Gold
(Au) Plated Brass
Contact, 14-20 AWG,
Reel

2.36mm Diameter, [2096102](#)
Standard .093" Pin
and Socket Crimp
Terminal, Series
1189, Female, with
Tin (Sn) Plated Brass
Contact, 14-20 AWG,
Reel

2.36mm Diameter, [2096106](#)
Standard .093" Pin
and Socket Crimp
Terminal, Series
1190, Male, with
Gold (Au) Plated
Brass Contact, 14-20
AWG, Bag

2.36mm Diameter, [2096110](#)
Standard .093" Pin
and Socket Crimp
Terminal, Series
1190, Male, with
Selective Gold
(Au) Plated Brass
Contact, 14-20 AWG,
Bag

2.36mm Diameter, [2096122](#)
Standard .093" Pin
and Socket Crimp
Terminal, Series
1380, Male, with
Gold (Au) Plated
Brass Contact, 18-22
AWG, Reel

2.36mm Diameter, [2096123](#)
Standard .093" Pin
and Socket Crimp
Terminal, Series
1380, Male, with
Gold (Au) Plated

Brass Contact, 18-22
AWG, Bag
2.36mm Diameter, 2096125
Standard .093" Pin
and Socket Crimp
Terminal, Series
1380, Male, with
Selective Gold
(Au) Plated Brass
Contact, 18-22 AWG,
Reel
2.36mm Diameter, 2096126
Standard .093" Pin
and Socket Crimp
Terminal, Series
1380, Male, with
Selective Gold
(Au) Plated Brass
Contact, 18-22 AWG,
Bag
2.36mm Diameter, 2096132
Standard .093"
Pin and Socket
PC Tail Terminal,
Series 1376, Male,
with Gold (Au)
Plated Contact,
Without Detent, Bag
Packaged
2.36mm Diameter, 2098103
Standard .093" Pin
and Socket Crimp
Grounding Terminal,
Series 1973, Male,
with Tin (Sn) Plated
Brass Contact, 18-22
AWG, Reel
2.36mm Diameter, 2098104
Standard .093" Pin
and Socket Crimp
Grounding Terminal,
Series 1973, Male,
with Tin (Sn) Plated
Brass Contact, 18-22
AWG, Bag
2.36mm Diameter, 2098108
Standard .093" Pin
and Socket Crimp
Grounding Terminal,
Series 1973, Male,
with Tin (Sn) Plated
Brass Contact, 14-18
AWG, Reel
2.36mm Diameter, 2098109
Standard .093" Pin
and Socket Crimp
Grounding Terminal,
Series 1973, Male,
with Tin (Sn) Plated
Brass Contact, 14-18
AWG, Bag
Mini-Fit Jr. 3044052
Receptacle Housing,
Single Row, 5

Circuits, UL 94V-2,
Natural
1.57mm Diameter 3061011
Standard .062"
Pin and Socket
Receptacle Housing,
1 Circuits, Natural
1.57mm Diameter 3061022
Standard .062"
Pin and Socket
Receptacle Housing,
2 Circuits, with Pre-
bent Mounting Ears,
Natural
1.57mm Diameter 3061023
Standard .062"
Pin and Socket
Receptacle Housing,
2 Circuits, without
Mounting Ears,
Natural
1.57mm Diameter 3061031
Standard .062"
Pin and Socket
Receptacle Housing,
3 Circuits, with
Standard Mounting
Ears
1.57mm Diameter 3061032
Standard .062"
Pin and Socket
Receptacle Housing,
3 Circuits, without
Mounting Ears,
Natural
1.57mm Diameter 3061038
Standard .062"
Pin and Socket
Receptacle Housing,
3 Circuits, with Pre-
bent Mounting Ears,
Natural
1.57mm Diameter 3061041
Standard .062"
Pin and Socket
Receptacle Housing,
4 Circuits, with
Standard Mounting
Ears
1.57mm Diameter 3061042
Standard .062"
Pin and Socket
Receptacle Housing,
4 Circuits, without
Mounting Ears,
Natural
1.57mm Diameter 3061044
Standard .062"
Pin and Socket
Receptacle Housing,
Dual Row, without
Mounting Ears, PA
Polyamide Nylon 6/6,
UL 94V-2, 4 Circuits,
Natural

| | |
|---|----------------|
| 1.57mm Diameter Standard .062" Pin and Socket Receptacle Housing, 6 Circuits, without Mounting Ears, Natural | <u>3061062</u> |
| 1.57mm Diameter Standard .062" Pin and Socket Receptacle Housing, 9 Circuits, without Mounting Ears, Natural | <u>3061092</u> |
| 1.57mm Diameter Standard .062" Pin and Socket Receptacle Housing, 12 Circuits, with Standard Mounting Ears, Natural | <u>3061121</u> |
| 1.57mm Diameter Standard .062" Pin and Socket Receptacle Housing, 12 Circuits, without Mounting Ears, Natural | <u>3061122</u> |
| 1.57mm Diameter Standard .062" Pin and Socket Plug Housing, 1 Circuits, Natural | <u>3062011</u> |
| 1.57mm Diameter Standard .062" Pin and Socket Plug Housing, 2 Circuits, without Mounting Ears, Natural | <u>3062023</u> |
| 1.57mm Diameter Standard .062" Pin and Socket Plug Housing, 2 Circuits, with Pre- bent Mounting Ears, Natural | <u>3062024</u> |
| 1.57mm Diameter Standard .062" Pin and Socket Plug Housing, 3 Circuits, with Standard Mounting Ears, Natural | <u>3062031</u> |
| 1.57mm Diameter Standard .062" Pin and Socket Plug Housing, 3 Circuits, without Mounting Ears, Natural | <u>3062032</u> |
| 1.57mm Diameter Standard .062" Pin and Socket Plug Housing, 3 Circuits, with Pre- | <u>3062033</u> |

bent Mounting Ears,
Natural
1.57mm Diameter 3062041
Standard .062" Pin
and Socket Plug
Housing, 4 Circuits,
with Standard
Mounting Ears
1.57mm Diameter 3062042
Standard .062" Pin
and Socket Plug
Housing, 4 Circuits,
without Mounting
Ears, Natural
1.57mm Diameter 3062044
Standard .062" Pin
and Socket Plug
Housing, Dual Row,
without Mounting
Ears, PA Polyamide
Nylon 6/6, UL 94V-2,
4 Circuits, Natural
1.57mm Diameter 3062061
Standard .062" Pin
and Socket Plug
Housing, 6 Circuits,
without Mounting
Ears, Natural
1.57mm Diameter 3062092
Standard .062" Pin
and Socket Plug
Housing, 9 Circuits,
without Mounting
Ears, Natural
1.57mm Diameter 3062121
Standard .062"
Pin and Socket
Plug Housing, 12
Circuits, with Pre-
bent Mounting Ears,
Natural
1.57mm Diameter 3062122
Standard .062" Pin
and Socket Plug
Housing, 12 Circuits,
without Mounting
Ears, Natural
1.57mm Diameter 3066023
Standard .062"
Pin and Socket
Receptacle Housing,
2 Circuits, without
Mounting Ears, Black
1.57mm Diameter 3066062
Standard .062"
Pin and Socket
Receptacle Housing,
6 Circuits, without
Mounting Ears, Black
1.57mm Diameter 3067023
Standard .062" Pin
and Socket Plug
Housing, Black, 2
Circuits, without
Mounting Ears, Black

1.57mm Diameter 3067044
Standard .062" Pin
and Socket Plug
Housing, Dual Row,
without Mounting
Ears, PA Polyamide
Nylon 6/6, UL 94V-2,
4 Circuits, Black

1.57mm Diameter 3067061
Standard .062" Pin
and Socket Plug
Housing, 6 Circuits,
without Mounting
Ears, Black

2.36mm Diameter 3091011
Standard .093"
Pin and Socket
Receptacle Housing,
1 Circuit, Friction
Lock, Natural

2.36mm Diameter 3091022
Standard .093"
Pin and Socket
Receptacle Housing,
2 Circuits, without
Mounting Ears, with
Ramps, Natural

2.36mm Diameter 3091027
Standard .093"
Pin and Socket
Receptacle Housing,
2 Circuits, with Pre-
bent Mounting Ears,
with Ramps, Natural

2.36mm Diameter 3091030
Standard Receptacle
Housing, 3 Circuit,
Natural

2.36mm Diameter 3091031
Standard .093"
Pin and Socket
Receptacle Housing,
3 Circuits, Single
Row, Natural

2.36mm Diameter 3091032
Standard .093"
Pin and Socket
Receptacle Housing,
3 Circuits, Single
Row, Natural

2.36mm Diameter 3091033
Standard .093"
Pin and Socket
Receptacle Housing,
3 Circuits, Single
Row, Free-Hanging,
without Passive Lock
Ramps, Natural

2.36mm Diameter 3091041
Standard .093"
Pin and Socket
Receptacle Housing,
4 Circuits, Single
Row, Natural

2.36mm Diameter 3091042
Standard .093"
Pin and Socket
Receptacle Housing,
4 Circuits, Single
Row, Natural

2.36mm Diameter 3091049
Standard .093"
Pin and Socket
Receptacle Housing,
4 Circuits, Dual Row,
without Mounting
Ears, Natural

2.36mm Diameter 3091061
Standard .093"
Pin and Socket
Receptacle Housing,
6 Circuits, Dual Row,
Natural

2.36mm Diameter 3091062
Standard .093"
Pin and Socket
Receptacle Housing,
6 Circuits, Dual Row,
Natural

2.36mm Diameter 3091063
Standard .093"
Pin and Socket
Receptacle Housing,
6 Circuits, Dual Row,
without Panel Mount
Ears, without Friction
Lock Ramp

2.36mm Diameter 3091064
Standard .093"
Pin and Socket
Receptacle Housing,
6 Circuits, Dual Row,
Natural

2.36mm Diameter 3091081
Standard .093"
Pin and Socket
Receptacle Housing,
3 Circuits, Single
Row, Natural

2.36mm Diameter 3091091
Standard .093"
Pin and Socket
Receptacle
Housings, 9 Circuits,
3 Rows, Natural

2.36mm Diameter 3091092
Standard .093"
Pin and Socket
Receptacle
Housings, 9 Circuits,
3 Rows, with Panel
Mount Ears, without
Passive Lock Ramp

2.36mm Diameter 3091093
Standard .093"
Pin and Socket
Receptacle
Housings, 9 Circuits,
3 Rows, without

Panel Mount Ears,
without Passive Lock
Ramp
2.36mm Diameter 3091094
Standard .093"
Pin and Socket
Receptacle
Housings, 9 Circuits,
3 Rows, Natural
2.36mm Diameter 3091121
Standard .093"
Pin and Socket
Receptacle Housing,
12 Circuits, 3 Rows,
Panel Mountable,
without Passive
Locking Ramps
2.36mm Diameter 3091125
Standard .093"
Pin and Socket
Receptacle Housing,
12 Circuits, 3 Rows,
Natural
2.36mm Diameter 3091126
Standard .093"
Pin and Socket
Receptacle Housing,
12 Circuits, 3 Rows,
Natural
2.36mm Diameter 3091151
Standard .093"
Pin and Socket
Receptacle Housing,
15 Circuits, 3 Rows,
with Pre-Bent
Mounting Ears,
without Lock Ramps
2.36mm Diameter 3091152
Standard .093"
Pin and Socket
Receptacle Housing,
15 Circuits, 3 Rows,
without Mounting
Ears, without Lock
Ramps
2.36mm Diameter 3091153
Standard .093"
Pin and Socket
Receptacle Housing,
15 Circuits, 3 Rows,
with Pre-bent
Mounting Ears, with
Lock Ramps
2.36mm Diameter 3091157
Standard .093"
Pin and Socket
Receptacle Housing,
15 Circuits, 3 Rows,
without Mounting
Ears, with Lock
Ramps
2.36mm Diameter 3091161
Standard .093"
Pin and Socket
Receptacle Housing

| | |
|--|----------------|
| without Mounting Ears, Positive Lock, 2 Circuits | |
| 2.36mm Diameter Standard .093" Pin and Socket Plug Housing, 1 Circuit, Friction Lock, Natural | <u>3092011</u> |
| 2.36mm Diameter Standard .093" Pin and Socket Plug Housing, 2 Circuits, with Standard Mounting Ears, Natural | <u>3092021</u> |
| 2.36mm Diameter Standard .093" Pin and Socket Plug Housing, 2 Circuits, without Mounting Ears, Natural | <u>3092022</u> |
| 2.36mm Diameter Standard .093" Pin and Socket Plug Housing, 3 Circuits, Single Row, Natural | <u>3092031</u> |
| 2.36mm Diameter Standard .093" Pin and Socket Plug Housing, 3 Circuits, Single Row, Natural | <u>3092032</u> |
| 2.36mm Diameter Standard .093" Pin and Socket Plug Housing, 4 Circuits, Single Row | <u>3092041</u> |
| 2.36mm Diameter Standard .093" Pin and Socket Plug Housing, 4 Circuits, Single Row | <u>3092042</u> |
| 2.36mm Diameter Standard .093" Pin and Socket Plug Housing, 4 Circuits, Dual Row, without Mounting Ears, Natural | <u>3092049</u> |
| 2.36mm Diameter Standard .093" Pin and Socket Plug Housing, 6 Circuits, Dual Row | <u>3092061</u> |
| 2.36mm Diameter Standard .093" Pin and Socket Plug Housing, 6 Circuits, Dual Row | <u>3092062</u> |
| 2.36mm Diameter Standard .093" Pin and Socket Plug Housings, 9 Circuits, 3 Rows | <u>3092092</u> |
| 2.36mm Diameter Standard .093" Pin | <u>3092121</u> |

| | |
|--|----------------|
| and Socket Plug Housing, 12 Circuits, 3 Rows | |
| 2.36mm Diameter Standard .093" Pin and Socket Plug Housing, 12 Circuits, 3 Rows | <u>3092122</u> |
| 2.36mm Diameter Standard .093" Pin and Socket Plug Housing, 15 Circuits, 3 Rows, without Mounting Ears, with Pull Tabs, without Lock Windows | <u>3092151</u> |
| 2.36mm Diameter Standard .093" Pin and Socket Plug Housing, 15 Circuits, 3 Rows, with Pre- Bent Mounting Ears, without Pull Tabs, with Lock Windows | <u>3092159</u> |
| 2.36mm Diameter Standard .093" Pin and Socket Plug Housing without Mounting Ears, Positive Lock, 2 Circuits | <u>3092161</u> |
| 2.36mm Diameter Standard .093" Pin and Socket Receptacle Housing, 2 Circuits, with Pre- bent Mounting Ears, with Ramps, Black | <u>3096021</u> |
| 2.36mm Diameter Standard .093" Pin and Socket Plug Housing, 2 Circuits, without Mounting Ears, Black | <u>3097022</u> |
| 2.36mm Diameter Standard .093" Pin and Socket Plug Housing, 2 Circuits, without Mounting Ears, Red | <u>3097024</u> |
| 2.36mm Diameter Standard .093" Pin and Socket Plug Housing, 3 Circuits, Single Row, Black | <u>3097032</u> |
| 3.18mm Diameter, HCS125, Pin and Socket Receptacle Housing, 2 Circuits, Single Row, with and without Panel Mount Ears | <u>3121022</u> |
| 3.18mm Diameter, HCS125, Pin and Socket Receptacle | <u>3121026</u> |

Housing, Single
Row, 2 Circuits,
Natural (Translucent)
3.18mm Diameter, 3121036
HCS125, Pin and
Socket Receptacle
Housing, Single
Row, without Panel
Mount Ears, 3
Circuits, Natural,
Nylon 94V-2
3.18mm Diameter, 3121046
HCS125, Pin and
Socket Receptacle
Housing, Single
Row, 4 Circuits,
Natural (Translucent)
3.18mm Diameter, 3122022
HCS125, Pin
and Socket Plug
Housing, 2 Circuits,
Single Row, with and
without Panel Mount
Ears
3.18mm Diameter, 3122025
HCS125, Pin
and Socket Plug
Housing, Single
Row, with Panel
Mount Ears, 2
Circuits, Natural
(Translucent)
3.18mm Diameter, 3122026
HCS125, Pin
and Socket Plug
Housing, Single
Row, without Panel
Mount Ears, 2
Circuits, Natural
(Translucent)
3.18mm Diameter, 3122035
HCS125, Pin
and Socket Plug
Housing, Single
Row, with Panel
Mount Ears, 3
Circuits, Natural,
Nylon 94V-2
3.18mm Diameter, 3122036
HCS125, Pin
and Socket Plug
Housing, Single
Row, without Panel
Mount Ears, 3
Circuits, Natural,
Nylon 94V-2
3.18mm Diameter, 3122045
HCS125, Pin
and Socket Plug
Housing, Single
Row, with Panel
Mount Ears, 4
Circuits, Natural
(Translucent)

| | |
|--|----------------|
| 3.18mm Diameter, HCS125, Pin and Socket Plug Housing, Single Row, without Panel Mount Ears, 4 Circuits, Natural (Translucent) | <u>3122046</u> |
| Crimp Terminal 2482, 10-16 AWG, Reel | <u>5121004</u> |
| Crimp Terminal 2482, 10-16 AWG, Bag | <u>5121005</u> |
| Crimp Terminal 2482, 10-16 AWG, Reel | <u>5121006</u> |
| Crimp Terminal 2482, 10-16 AWG, Reel | <u>5121008</u> |
| Crimp Terminal 6482, 14-18 AWG, Reel | <u>5121104</u> |
| Flat Blade Appliance Motor Switch Crimp Housing, 10 Circuits | <u>6021103</u> |
| Flat Blade Appliance Water Valve Crimp Housing, 3 Circuit, Natural | <u>6022030</u> |
| Flat Blade Appliance Defrost Timer Crimp Housing, 4 Circuit, 4 Circuits | <u>6023042</u> |
| Flat Blade Appliance Motor Switch Crimp Housing, 10 Circuit, 10 Circuits | <u>6023103</u> |
| Flat Blade Appliance Dryer Motor Crimp Housing, 10 Circuit | <u>6023104</u> |
| KK 254 Cat Ear Crimp Terminal 4809, 22-30 AWG, Hot Tin Dip, 2.20mm Insulation Crimp, Reel | <u>8500030</u> |
| KK 254 Cat Ear Crimp Terminal 4809, 22-30 AWG, Hot Tin Dip, Reel | <u>8500031</u> |
| KK 254 Cat Ear Crimp Terminal 4809, 22-30 AWG, Hot Tin Dip, Bag | <u>8500032</u> |
| KK 396 Crimp Terminal 2478, 18-24 AWG, Bag, Brass Tin (Sn) | <u>8500106</u> |
| KK 254 Crimp Terminal, 22-30 AWG, Hot Tin (Sn) Dip Plating | <u>8500113</u> |
| KK 254 Crimp Terminal, 22-30 | <u>8500114</u> |

AWG, Bag, Hot Tin
(Sn) Dip Plating
KK 254 Crimp 8500135
Terminal 4809, 22-30
AWG, Hot Tin Dip,
Reel
KK 254 Crimp 8500136
Terminal 4809, 22-30
AWG, Tin, Bag
KK 254 Crimp 8500159
Terminal, 22-30
AWG, Reel, Tin (Sn)
Plating, Nickel (Ni)
Under Plating
KK 254 Crimp 8500160
Terminal, 22-30
AWG, Bag, Tin (Sn)
Plating, Nickel (Ni)
Under Plating
KK 100 Crp Term 8510101
Std 22-30 Awg Unplt
KK 254 Crimp 8510108
Terminal, 22-30
AWG, Reel, Tin (Sn),
Nickel (Ni) Under
Plating
KK 396 Crimp 8520072
Terminal 2478,
18-24 AWG, Bag,
Phosphor Bronze,
Tin (Sn)
KK 254 Crimp 8520101
Terminal 6459,
22-30 AWG, Reel,
Phosphor Bronze Tin
(Sn)
KK Trifurcon Crimp 8520112
Terminal 6838,
18-20 AWG, Reel,
Phosphor Bronze
Tin(Sn)
KK Trifurcon Crimp 8520113
Terminal 6838,
18-20 AWG, Bag,
Phosphor Bronze Tin
(Sn)
KK .100 CRIMP 8520118
TERMINAL 100MI
MATTE TIN
KK 254 Crimp 8520123
Terminal 6459,
22-30 AWG, Bag,
Phosphor Bronze Tin
(Sn)
KK 254 Crimp 8550101
Terminal, 22-30
AWG, Reel,
Selective Gold (Au),
Nickel (Ni) Under
Plating
KK 254 Crimp 8550102
Terminal, 22-30
AWG, Bag, Selective
Gold (Au), Nickel (Ni)
Under Plating

| | |
|---|----------------|
| KK 254 Crimp Terminal 4809, 22-30 AWG, Selective Gold (Au), Reel | <u>8550110</u> |
| KK 254 Crimp Terminal 4809, 22-30 AWG, Selective Gold (Au), Bag | <u>8550111</u> |
| KK 254 Cat Ear Crimp Terminal 4809, 22-30 AWG, Selective Gold, Reel | <u>8550112</u> |
| KK 254 Crimp Terminal, 22-30 AWG, Reel, Selective Gold (Au), Nickel (Ni) Under Plating | <u>8550130</u> |
| KK 254 Crimp Terminal, 22-30 AWG, Bag, Selective Gold (Au), Nickel (Ni) Under Plating | <u>8550131</u> |
| KK 254 Crimp Terminal, 22-30 AWG, Reel, Gold (Au), Nickel (Ni) Under Plating | <u>8560109</u> |
| KK 254 Crimp Terminal, 22-30 AWG, Bag, Gold (Au), Nickel (Ni) Under Plating | <u>8560110</u> |
| KK 254 Crimp Terminal 4809, 22-30 AWG, Selective Gold (Au), Bag | <u>8560115</u> |
| KK 254 Crimp Terminal 4809, 22-30 AWG, Selective Gold (Au), Reel | <u>8560120</u> |
| KK 396 Crimp Terminal 2578, 22-26 AWG, Reel, Phosphor Bronze, 0.38µm Selective Gold (Au) | <u>8650116</u> |
| KK Trifurcon Crimp Terminal 7258, 22-26 AWG, Bag, Phosphor Bronze Selective Gold (Au) | <u>8650122</u> |
| KK 100 Crp Term Std 22-30 Awg SGold | <u>8650801</u> |
| KK 100 Crp Term Std 22-30 Awg SGold | <u>8650811</u> |
| KK 100 Crp Term Std 22-30 Awg SGold | <u>8650812</u> |
| KK 254 Crimp Terminal 6459, 22-30 AWG, Reel, | <u>8650813</u> |

| | |
|---|----------------|
| Phosphor Bronze Gold (Au) KK 254 Crimp Terminal 6459, 22-30 AWG, Bag, Phosphor Bronze Gold (Au) | <u>8650814</u> |
| KK 254 Crimp Terminal 6459, 22-30 AWG, Reel, Phosphor Bronze Selective Gold (Au) | <u>8650815</u> |
| KK 254 Crimp Terminal 6459, 22-30 AWG, Bag, Phosphor Bronze Selective Gold (Au) | <u>8650816</u> |
| KK 100 Crp Term Std 22-30 Awg SGold | <u>8650817</u> |
| 3.96 and 5.08mm Pitch KK Cat Ear Crimp Terminal, Female, 18-24 AWG, Reel | <u>8700012</u> |
| 3.96mm Pitch KK Crimp Housing, Edge Card Connector, Single-Sided, Polarized, Positive Lock, with Probe Hole, 3 Circuits | <u>9011036</u> |
| KK 396 PC Board Connector, Right Angle, Polyester Connector, 5.00µm Tin (Sn), 2 Circuits | <u>9481024</u> |
| KK 396 PC Board Connector, Right Angle, Polyester Connector, 5.00µm Tin (Sn), 10 Circuits | <u>9481104</u> |
| KK 396 PC Board Connector, Top Entry, Polyester Connector, Gold (Au) Selective, 10 Circuits | <u>9481105</u> |
| KK 396 PC Board Connector, Bottom Entry, Polyester Connector, Gold (Au) Selective, 2 Circuits | <u>9483024</u> |
| KK 396 PC Board Connector, Right Angle, Polyester Connector, Gold (Au) Selective, 2 Circuits | <u>9483025</u> |
| KK 396 PC Board Connector, Top Entry, Polyester Connector, Gold (Au) Selective, 2 Circuits | <u>9483026</u> |
| KK 396 PC Board Connector, Bottom Entry, Polyester | <u>9483104</u> |

Connector, Gold (Au)
Selective, 10 Circuits
KK 396 PC Board 9483105
Connector, Right-
Angle, Polyester
Connector, Gold (Au)
Selective, 10 Circuits
KK 396 PC Board 9483106
Connector, Top
Entry, Polyester
Connector, Gold (Au)
Selective, 10 Circuits
KK 396 PC Board 9484028
Connector, Top
Entry, Polyester
Connector, 5.00µm
Tin (Sn), 2 Circuits
KK 396 PC Board 9484029
Connector, Bottom
Entry, Polyester
Connector, 5.00µm
Tin (Sn), 2 Circuits
KK 396 PC Board 9484039
Connector, Bottom
Entry, Polyester
Connector, 5.00µm
Tin (Sn), 3 Circuits
KK 396 PC Board 9484099
Connector, Bottom
Entry, Polyester
Connector, 5.00µm
Tin (Sn), 9 Circuits
KK 396 PC Board 9484108
Connector, Top
Entry, Polyester
Connector, 5.00µm
Tin (Sn), 10 Circuits
KK 396 PC Board 9484109
Connector, Bottom
Entry, Polyester
Connector, 5.00µm
Tin (Sn), 10 Circuits
KK 396 PC Board 9484118
Connector, Top
Entry, Polyester
Connector, 5.00µm
Tin (Sn), 11 Circuits
KK 396 PC Board 9484149
Connector, Bottom
Entry, Polyester
Connector, 5.00µm
Tin (Sn), 14 Circuits
3.96mm Pitch SPOX 9501021
Crimp Housing,
Female, with Friction
Ramp, 2 Circuits,
Natural
3.96mm Pitch SPOX 9501023
Crimp Housing,
Female, with Friction
Ramp and Void, 2
Circuits, Natural
3.96mm Pitch SPOX 9501031
Crimp Housing,
Female, with Friction

Ramp, 3 Circuits,
Natural
3.96mm Pitch SPOX [9501033](#)
Crimp Housing,
Female, with Friction
Ramp and Void, 3
Circuits, Natural
3.96mm Pitch SPOX [9501041](#)
Crimp Housing,
Female, with Friction
Ramp, 4 Circuits,
Natural
3.96mm Pitch SPOX [9501043](#)
Crimp Housing,
Female, with Friction
Ramp and Void, 4
Circuits, Natural
3.96mm Pitch SPOX [9501051](#)
Crimp Housing,
Female, with Friction
Ramp, 5 Circuits,
Natural
3.96mm Pitch SPOX [9501053](#)
Crimp Housing,
Female, with Friction
Ramp and Void, 5
Circuits, Natural
3.96mm Pitch SPOX [9501061](#)
Crimp Housing,
Female, with Friction
Ramp, 6 Circuits,
Natural
3.96mm Pitch SPOX [9501063](#)
Crimp Housing,
Female, with Friction
Ramp and Void, 6
Circuits, Natural
3.96mm Pitch SPOX [9501071](#)
Crimp Housing,
Female, with Friction
Ramp, 7 Circuits,
Natural
3.96mm Pitch SPOX [9501073](#)
Crimp Housing,
Female, with Friction
Ramp and Void, 7
Circuits, Natural
3.96mm Pitch SPOX [9501081](#)
Crimp Housing,
Female, with Friction
Ramp, 8 Circuits,
Natural
3.96mm Pitch SPOX [9501083](#)
Crimp Housing,
Female, with Friction
Ramp and Void, 8
Circuits, Natural
3.96mm Pitch SPOX [9501091](#)
Crimp Housing,
Female, with Friction
Ramp, 9 Circuits,
Natural
3.96mm Pitch SPOX [9501101](#)
Crimp Housing,
Female, with Friction

Ramp, 10 Circuits,
Natural
3.96mm Pitch SPOX [9501103](#)
Crimp Housing,
Female, with Friction
Ramp and Void, 10
Circuits, Natural
3.96mm Pitch SPOX [9501111](#)
Crimp Housing,
Female, with Friction
Ramp, 11 Circuits,
Natural
3.96mm Pitch SPOX [9501113](#)
Crimp Housing,
Female, with Friction
Ramp and Void, 11
Circuits, Natural
3.96mm Pitch SPOX [9501121](#)
Crimp Housing,
Female, with Friction
Ramp, 12 Circuits,
Natural
KK 3.96mm Crimp [9503021](#)
Terminal Housing,
Friction Ramp, 2
Circuits, Natural
KK 3.96mm Crimp [9503031](#)
Terminal Housing,
Friction Ramp, 3
Circuits, Natural
KK 3.96mm Crimp [9503041](#)
Terminal Housing,
Friction Ramp, 4
Circuits, Natural
KK 3.96mm Crimp [9503051](#)
Terminal Housing,
Friction Ramp, 5
Circuits, Natural
KK 3.96mm Crimp [9503061](#)
Terminal Housing,
Friction Ramp, 6
Circuits, Natural
KK 3.96mm Crimp [9503071](#)
Terminal Housing,
Friction Ramp, 7
Circuits, Natural
KK 3.96mm Crimp [9503081](#)
Terminal Housing,
Friction Ramp, 8
Circuits, Natural
KK 3.96mm Crimp [9503091](#)
Terminal Housing,
Friction Ramp, 9
Circuits, Natural
KK 3.96mm Crimp [9503101](#)
Terminal Housing,
Friction Ramp, 10
Circuits, Natural
KK 3.96mm Crimp [9503111](#)
Terminal Housing,
Friction Ramp, 11
Circuits, Natural
KK 3.96mm Crimp [9503121](#)
Terminal Housing,

| | |
|--|----------------|
| Friction Ramp, 12 Circuits, Natural KK 3.96mm Crimp Terminal Housing, | <u>9503131</u> |
| Friction Ramp, 13 Circuits, Natural KK 3.96mm Crimp Terminal Housing, | <u>9503141</u> |
| Friction Ramp, 14 Circuits, Natural KK 3.96mm Crimp Terminal Housing, | <u>9503151</u> |
| Friction Ramp, 15 Circuits, Natural KK 3.96mm Crimp Terminal Housing, | <u>9503161</u> |
| Friction Ramp, 16 Circuits, Natural KK 3.96mm Crimp Terminal Housing, | <u>9503171</u> |
| Friction Ramp, 17 Circuits, Natural KK 3.96mm Crimp Terminal Housing, | <u>9503181</u> |
| Friction Ramp, 18 Circuits, Natural KK 3.96mm Crimp Terminal Housing, | <u>9503191</u> |
| Friction Ramp, 19 Circuits, Natural KK 3.96mm Crimp Terminal Housing, | <u>9503201</u> |
| Friction Ramp, 20 Circuits, Natural KK 3.96mm Crimp Terminal Housing, | <u>9503211</u> |
| Friction Ramp, 21 Circuits, Natural KK 3.96mm Crimp Terminal Housing, | <u>9503221</u> |
| Friction Ramp, 22 Circuits, Natural KK 3.96mm Crimp Terminal Housing, | <u>9503231</u> |
| Friction Ramp, 23 Circuits, Natural KK 3.96mm Crimp Terminal Housing, | <u>9503241</u> |
| Friction Ramp, 24 Circuits, Natural KK 3.96mm Crimp Terminal Housing, 2 | <u>9507021</u> |
| Circuits, Natural KK 3.96mm Crimp Terminal Housing, 3 | <u>9507031</u> |
| Circuits, Natural KK 3.96mm Crimp Terminal Housing, 4 | <u>9507041</u> |
| Circuits, Natural KK 3.96mm Crimp Terminal Housing, 5 | <u>9507051</u> |
| Circuits, Natural KK 3.96mm Crimp Terminal Housing, 6 | <u>9507061</u> |
| Circuits, Natural | |

KK 3.96mm Crimp 9507071
Terminal Housing, 7
Circuits, Natural

KK 3.96mm Crimp 9507081
Terminal Housing, 8
Circuits, Natural

KK 3.96mm Crimp 9507091
Terminal Housing, 9
Circuits, Natural

KK 3.96mm Crimp 9507101
Terminal Housing, 10
Circuits, Natural

KK 3.96mm Crimp 9507111
Terminal Housing, 11
Circuits, Natural

KK 3.96mm Crimp 9507121
Terminal Housing, 12
Circuits, Natural

KK 3.96mm Crimp 9507131
Terminal Housing, 13
Circuits, Natural

KK 3.96mm Crimp 9507141
Terminal Housing, 14
Circuits, Natural

KK 3.96mm Crimp 9507151
Terminal Housing, 15
Circuits, Natural

KK 3.96mm Crimp 9507161
Terminal Housing, 16
Circuits, Natural

KK 3.96mm Crimp 9507171
Terminal Housing, 17
Circuits, Natural

KK 3.96mm Crimp 9507181
Terminal Housing, 18
Circuits, Natural

KK 3.96mm Crimp 9507191
Terminal Housing, 19
Circuits, Natural

KK 3.96mm Crimp 9507201
Terminal Housing, 20
Circuits, Natural

KK 3.96mm Crimp 9507211
Terminal Housing, 21
Circuits, Natural

KK 3.96mm Crimp 9507221
Terminal Housing, 22
Circuits, Natural

KK 3.96mm Crimp 9507231
Terminal Housing, 23
Circuits, Natural

KK 3.96mm Crimp 9507241
Terminal Housing, 24
Circuits, Natural

KK 3.96mm Crimp 9508020
Terminal Housing, 2
Circuits, Natural

KK 3.96mm Crimp 9508021
Terminal Housing,
Friction Ramp, 2
Circuits, Natural

KK 3.96mm Crimp 9508023
Terminal Housing,
Friction Ramp, 2
Circuits, Natural

| | |
|---|----------------|
| KK 3.96mm Crimp Terminal Housing, Friction Ramp, 4 Circuits, Natural | <u>9508041</u> |
| KK 3.96mm Crimp Terminal Housing, Friction Ramp, 4 Circuits, Natural | <u>9508043</u> |
| KK 3.96mm Crimp Terminal Housing, Friction Ramp, 9 Circuits, Natural | <u>9508093</u> |
| KK 3.96mm Crimp Terminal Housing, 10 Circuits, Natural | <u>9508100</u> |
| KK 3.96mm Crimp Terminal Housing, Friction Ramp, 10 Circuits, Natural | <u>9508101</u> |
| KK 3.96mm Crimp Terminal Housing, Friction Ramp, 10 Circuits, Natural | <u>9508103</u> |
| KK 3.96mm Crimp Terminal Housing, Friction Ramp, 14 Circuits, Natural | <u>9508141</u> |
| 3.96mm Pitch KK Crimp Housing, Female, Friction Ramp, 2 Circuits, Natural | <u>9524024</u> |
| 3.96mm Pitch KK Crimp Housing, Female, Friction Ramp, 3 Circuits, Natural | <u>9524034</u> |
| 3.96mm Pitch KK Crimp Housing, Female, Friction Ramp, 4 Circuits, Natural | <u>9524044</u> |
| 3.96mm Pitch KK Crimp Housing, Female, Friction Ramp, 5 Circuits, Natural | <u>9524054</u> |
| 3.96mm Pitch KK Crimp Housing, Female, Friction Ramp, 6 Circuits, Natural | <u>9524064</u> |
| SPOX and KK 396 Wire-to-Board Header, Vertical, with Friction Lock, 2 Circuits | <u>9652028</u> |
| SPOX and KK 396 Wire-to-Board Header, Vertical, with Friction Lock, with Void, 2 Circuits | <u>9652029</u> |
| SPOX and KK 396 Wire-to-Board Header, Vertical, | <u>9652038</u> |

with Friction Lock, 3
Circuits
SPOX and KK 9652039
396 Wire-to-Board
Header, Vertical, with
Friction Lock, with
Void, 3 Circuits
SPOX and KK 9652048
396 Wire-to-Board
Header, Vertical,
with Friction Lock, 4
Circuits
SPOX and KK 9652049
396 Wire-to-Board
Header, Vertical, with
Friction Lock, with
Void, 4 Circuits
SPOX and KK 9652058
396 Wire-to-Board
Header, Vertical,
with Friction Lock, 5
Circuits
SPOX and KK 9652068
396 Wire-to-Board
Header, Vertical,
with Friction Lock, 6
Circuits
SPOX and KK 9652069
396 Wire-to-Board
Header, Vertical, with
Friction Lock, with
Void, 6 Circuits
SPOX and KK 9652078
396 Wire-to-Board
Header, Vertical,
with Friction Lock, 7
Circuits
SPOX and KK 9652079
396 Wire-to-Board
Header, Vertical, with
Friction Lock, with
Void, 7 Circuits
SPOX and KK 9652088
396 Wire-to-Board
Header, Vertical,
with Friction Lock, 8
Circuits
SPOX and KK 9652089
396 Wire-to-Board
Header, Vertical, with
Friction Lock, with
Void, 8 Circuits
KK 3.96mm Crimp 9930200
Terminal Housing,
Friction Ramp, 2
Circuits, Glow-Wire
Capable
KK 3.96mm Crimp 9930300
Terminal Housing,
Friction Ramp, 3
Circuits, Glow-Wire
Capable
KK 3.96mm Crimp 9930400
Terminal Housing,
Friction Ramp, 4

| | |
|---|-----------------|
| Circuits, Glow-Wire Capable | |
| KK 3.96mm Crimp Terminal Housing, Friction Ramp, 5 | <u>9930500</u> |
| Circuits, Glow-Wire Capable | |
| KK 3.96mm Crimp Terminal Housing, Friction Ramp, 6 | <u>9930600</u> |
| Circuits, Glow-Wire Capable | |
| KK 3.96mm Crimp Terminal Housing, Friction Ramp, 7 | <u>9930700</u> |
| Circuits, Glow-Wire Capable | |
| KK 3.96mm Crimp Terminal Housing, Friction Ramp, 8 | <u>9930800</u> |
| Circuits, Glow-Wire Capable | |
| KK 3.96mm Crimp Terminal Housing, Friction Ramp, 9 | <u>9930900</u> |
| Circuits, Glow-Wire Capable | |
| KK 3.96mm Crimp Terminal Housing, Friction Ramp, 10 | <u>9931000</u> |
| Circuits, Glow-Wire Capable | |
| KK 3.96mm Crimp Terminal Housing, Friction Ramp, 11 | <u>9931100</u> |
| Circuits, Glow-Wire Capable | |
| KK 3.96mm Crimp Terminal Housing, Friction Ramp, 12 | <u>9931200</u> |
| Circuits, Glow-Wire Capable | |
| KK 3.96mm Crimp Terminal Housing, Friction Ramp, 13 | <u>9931300</u> |
| Circuits, Glow-Wire Capable | |
| KK 3.96mm Crimp Terminal Housing, Friction Ramp, 14 | <u>9931400</u> |
| Circuits, Glow-Wire Capable | |
| KK 3.96mm Crimp Terminal Housing, Friction Ramp, 15 | <u>9931500</u> |
| Circuits, Glow-Wire Capable | |
| 15 PIN MICRO-D FEMAL ASSY M8351309B11 | <u>10008503</u> |
| 15/C METALSHELL RECEPT.WIRED | <u>10008637</u> |
| 15/C METAL SHELL PLUG WIRED | <u>10008638</u> |

| | |
|--|-----------------|
| 25/C RECEP. HARNESS ASSY | <u>10008645</u> |
| 37/C RECEP. HARNESS ASSY | <u>10008647</u> |
| STAT. 3CKT RECEP. PIN 1/4 IN 1 FT | <u>10008653</u> |
| R/A 3CKT PLUG SOC. INSERT PUR 12 FEET | <u>10008654</u> |
| 15/C M SHELL RECEPT. WIRED 72.0 | <u>10008655</u> |
| 5.08mm Pitch KK Crimp Terminal Housing, 2 Circuits, Natural | <u>10011024</u> |
| 5.08mm Pitch KK Crimp Terminal Housing, 3 Circuits, Natural | <u>10011034</u> |
| 5.08mm Pitch KK Crimp Terminal Housing, 4 Circuits, Natural | <u>10011044</u> |
| 5.08mm Pitch KK Crimp Terminal Housing, 5 Circuits, Natural | <u>10011054</u> |
| 5.08mm Pitch KK Crimp Terminal Housing, 6 Circuits, Natural | <u>10011064</u> |
| 5.08mm Pitch KK Crimp Terminal Housing, 7 Circuits, Natural | <u>10011074</u> |
| 5.08mm Pitch KK Crimp Terminal Housing, 8 Circuits, Natural | <u>10011084</u> |
| 5.08mm Pitch KK Crimp Terminal Housing, 9 Circuits, Natural | <u>10011094</u> |
| 5.08mm Pitch KK Crimp Terminal Housing, 10 Circuits, Natural | <u>10011104</u> |
| 5.08mm Pitch KK Crimp Terminal Housing, 11 Circuits, Natural | <u>10011114</u> |
| 5.08mm Pitch KK Crimp Terminal Housing, 12 Circuits, Natural | <u>10011124</u> |
| 5.08mm Pitch SPOX Crimp Terminal Housing, 2 Circuits, Natural | <u>10013026</u> |
| 5.08mm Pitch SPOX Crimp Terminal Housing, 3 Circuits, Natural | <u>10013036</u> |

5.08mm Pitch SPOX [10013046](#)
Crimp Terminal
Housing, 4 Circuits,
Natural

5.08mm Pitch SPOX [10013056](#)
Crimp Terminal
Housing, 5 Circuits,
Natural

5.08mm Pitch SPOX [10013066](#)
Crimp Terminal
Housing, 6 Circuits,
Natural

5.08mm Pitch SPOX [10013076](#)
Crimp Terminal
Housing, 7 Circuits,
Natural

5.08mm Pitch SPOX [10013086](#)
Crimp Terminal
Housing, 8 Circuits,
Natural

5.08mm Pitch SPOX [10013096](#)
Crimp Terminal
Housing, 9 Circuits,
Natural

KK PC Board [10021022](#)
Connector, Bottom
Entry Mount Style B,
1.00µm Tin (Sn), 2
Circuits

KK PC Board [10021032](#)
Connector, Bottom
Entry Mount Style B,
1.00µm Tin (Sn), 3
Circuits

KK PC Board [10021042](#)
Connector, Bottom
Entry Mount Style B,
1.00µm Tin (Sn), 4
Circuits

KK PC Board [10021052](#)
Connector, Bottom
Entry Mount Style B,
1.00µm Tin (Sn), 5
Circuits

KK PC Board [10021062](#)
Connector, Bottom
Entry Mount Style B,
1.00µm Tin (Sn), 6
Circuits

KK PC Board [10021072](#)
Connector, Bottom
Entry Mount Style B,
1.00µm Tin (Sn), 7
Circuits

KK PC Board [10021082](#)
Connector, Bottom
Entry Mount Style B,
1.00µm Tin (Sn), 8
Circuits

KK PC Board [10021092](#)
Connector, Bottom
Entry Mount Style B,
1.00µm Tin (Sn), 9
Circuits

KK PC Board 10021102
Connector, Bottom
Entry Mount Style B,
1.00µm Tin (Sn), 10
Circuits

KK PC Board 10021112
Connector, Bottom
Entry Mount Style B,
1.00µm Tin (Sn), 11
Circuits

KK PC Board 10021122
Connector, Bottom
Entry Mount Style B,
1.00µm Tin (Sn), 12
Circuits

5.08mm Pitch KK 10061045
Header, Right
Angle, Square Pin,
4 Circuits, Tin (Sn)
Plating

KK Header, Right 10061055
Angle, Square Pin,
5 Circuits, Tin (Sn)
Plating

KK Header, Vertical, 10081021
Round Pin, 2
Circuits, Tin (Sn)
Plating, Pin Length
19.05mm

KK Header, Vertical, 10081022
Round Pin, 2
Circuits, Tin (Sn)
Plating, Pin Length
23.80mm

KK Header, Vertical, 10081029
Round Pin, 2
Circuits, Tin (Sn)
Plating, Pin Length
20.32mm

KK Header, Vertical, 10081031
Round Pin, 3
Circuits, Tin (Sn)
Plating, Pin Length
19.05mm

KK Header, Vertical, 10081039
Round Pin, 3
Circuits, Tin (Sn)
Plating, Pin Length
20.32mm

KK Header, Vertical, 10081041
Round Pin, 4
Circuits, Tin (Sn)
Plating, Pin Length
19.05mm

KK Header, Vertical, 10081049
Round Pin, 4
Circuits, Tin (Sn)
Plating, Pin Length
20.32mm

KK Header, Vertical, 10081051
Round Pin, 5
Circuits, Tin (Sn)
Plating, Pin Length
19.05mm

KK Header, Vertical, [10081061](#)
Round Pin, 6
Circuits, Tin (Sn)
Plating, Pin Length
19.05mm

KK Header, Vertical, [10081069](#)
Round Pin, 6
Circuits, Tin (Sn)
Plating, Pin Length
20.32mm

KK Header, Vertical, [10081071](#)
Round Pin, 7
Circuits, Tin (Sn)
Plating, Pin Length
19.05mm

KK Header, Vertical, [10081081](#)
Round Pin, 8
Circuits, Tin (Sn)
Plating, Pin Length
19.05mm

KK Header, Vertical, [10081082](#)
Round Pin, 8
Circuits, Tin (Sn)
Plating, Pin Length
23.80mm

KK Header, Vertical, [10081089](#)
Round Pin, 8
Circuits, Tin (Sn)
Plating, Pin Length
20.32mm

KK Header, Vertical, [10081091](#)
Round Pin, 9
Circuits, Tin (Sn)
Plating, Pin Length
19.05mm

KK Header, Vertical, [10081101](#)
Round Pin, 10
Circuits, Tin (Sn)
Plating, Pin Length
19.05mm

KK Header, Vertical, [10081102](#)
Round Pin, 10
Circuits, Tin (Sn)
Plating, Pin Length
23.80mm

KK Header, Vertical, [10081111](#)
Round Pin, 11
Circuits, Tin (Sn)
Plating, Pin Length
19.05mm

KK Header, Vertical, [10081112](#)
Round Pin, 11
Circuits, Tin (Sn)
Plating, Pin Length
23.80mm

KK Header, Vertical, [10081121](#)
Round Pin, 12
Circuits, Tin (Sn)
Plating, Pin Length
19.05mm

KK Header, Vertical, [10085021](#)
with Polarizing
Backwall, 2 Circuits,
Tin (Sn) Plating

KK Header, Vertical, [10085031](#)
with Polarizing
Backwall, 3 Circuits,
Tin (Sn) Plating
KK Header, Vertical, [10085041](#)
with Polarizing
Backwall, 4 Circuits,
Tin (Sn) Plating
KK Header, Vertical, [10085051](#)
with Polarizing
Backwall, 5 Circuits,
Tin (Sn) Plating
KK Header, Vertical, [10085061](#)
with Polarizing
Backwall, 6 Circuits,
Tin (Sn) Plating
KK Header, Vertical, [10085071](#)
with Polarizing
Backwall, 7 Circuits,
Tin (Sn) Plating
KK Header, Vertical, [10085081](#)
with Polarizing
Backwall, 8 Circuits,
Tin (Sn) Plating
KK Header, Vertical, [10085091](#)
with Polarizing
Backwall, 9 Circuits,
Tin (Sn) Plating
KK Header, Vertical, [10085101](#)
with Polarizing
Backwall, 10 Circuits,
Tin (Sn) Plating
KK Header, Vertical, [10085111](#)
with Polarizing
Backwall, 11 Circuits,
Tin (Sn) Plating
KK Header, Vertical, [10085121](#)
with Polarizing
Backwall, 12 Circuits,
Tin (Sn) Plating
KK PC Board [10101021](#)
Connector, Right-
Angle Mount Style A,
1.00 μ m Tin (Sn), 2
Circuits
KK PC Board [10101023](#)
Connector, Top
Entry Mount Style C,
1.00 μ m Tin (Sn), 2
Circuits
KK PC Board [10101031](#)
Connector, Right-
Angle Mount Style A,
1.00 μ m Tin (Sn), 3
Circuits
KK PC Board [10101033](#)
Connector, Top
Entry Mount Style C,
1.00 μ m Tin (Sn), 3
Circuits
KK PC Board [10101041](#)
Connector, Right-
Angle Mount Style A,
1.00 μ m Tin (Sn), 4
Circuits

| | |
|---|-----------------|
| KK PC Board Connector, Top Entry Mount Style C, 1.00µm Tin (Sn), 4 Circuits | <u>10101043</u> |
| KK PC Board Connector, Right- Angle Mount Style A, 1.00µm Tin (Sn), 5 Circuits | <u>10101051</u> |
| KK PC Board Connector, Top Entry Mount Style C, 1.00µm Tin (Sn), 5 Circuits | <u>10101053</u> |
| KK PC Board Connector, Right- Angle Mount Style A, 1.00µm Tin (Sn), 6 Circuits | <u>10101061</u> |
| KK PC Board Connector, Top Entry Mount Style C, 1.00µm Tin (Sn), 6 Circuits | <u>10101063</u> |
| KK PC Board Connector, Right- Angle Mount Style A, 1.00µm Tin (Sn), 7 Circuits | <u>10101071</u> |
| KK PC Board Connector, Top Entry Mount Style C, 1.00µm Tin (Sn), 7 Circuits | <u>10101073</u> |
| KK PC Board Connector, Right- Angle Mount Style A, 1.00µm Tin (Sn), 8 Circuits | <u>10101081</u> |
| KK PC Board Connector, Top Entry Mount Style C, 1.00µm Tin (Sn), 8 Circuits | <u>10101083</u> |
| KK PC Board Connector, Right- Angle Mount Style A, 1.00µm Tin (Sn), 9 Circuits | <u>10101091</u> |
| KK PC Board Connector, Top Entry Mount Style C, 1.00µm Tin (Sn), 9 Circuits | <u>10101093</u> |
| KK PC Board Connector, Right- Angle Mount Style A, 1.00µm Tin (Sn), 10 Circuits | <u>10101101</u> |
| KK PC Board Connector, Top Entry Mount Style C, 1.00µm Tin (Sn), 10 Circuits | <u>10101103</u> |

| | |
|---|-----------------|
| KK PC Board Connector, Right- Angle Mount Style A, 1.00µm Tin (Sn), 11 Circuits | <u>10101111</u> |
| KK PC Board Connector, Top Entry Mount Style C, 1.00µm Tin (Sn), 11 Circuits | <u>10101113</u> |
| KK PC Board Connector, Right- Angle Mount Style A, 1.00µm Tin (Sn), 12 Circuits | <u>10101121</u> |
| KK PC Board Connector, Top Entry Mount Style C, 1.00µm Tin (Sn), 12 Circuits | <u>10101123</u> |
| KK 254 Crimp Housing, High Pressure, 2 Circuits, Natural | <u>10112023</u> |
| KK 254 Crimp Housing, High Pressure, 3 Circuits, Natural | <u>10112033</u> |
| KK 254 Crimp Housing, High Pressure, 4 Circuits, Natural | <u>10112043</u> |
| KK 254 Crimp Housing, High Pressure, 5 Circuits, Natural | <u>10112053</u> |
| KK 254 Crimp Housing, High Pressure, 6 Circuits, Natural | <u>10112063</u> |
| KK 254 Crimp Housing, High Pressure, 7 Circuits, Natural | <u>10112073</u> |
| KK 254 Crimp Housing, High Pressure, 8 Circuits, Natural | <u>10112083</u> |
| KK 254 Crimp Housing, High Pressure, 9 Circuits, Natural | <u>10112093</u> |
| KK 254 Crimp Housing, High Pressure, 10 Circuits, Natural | <u>10112103</u> |
| KK 254 Crimp Housing, High Pressure, 11 Circuit | <u>10112113</u> |
| KK 254 Crimp Housing, High Pressure, 12 Circuits, Natural | <u>10112123</u> |
| KK 254 Crimp Housing, High | <u>10112133</u> |

| | |
|---|-----------------|
| Pressure, 13 Circuits, Natural KK 254 Crimp Housing, High | <u>10112143</u> |
| Pressure, 14 Circuits, Natural KK 254 Crimp Housing, High | <u>10112153</u> |
| Pressure, 15 Circuits, Natural KK 254 Crimp Housing, High | <u>10112163</u> |
| Pressure, 16 Circuits, Natural KK 254 Crimp Housing, High | <u>10112173</u> |
| Pressure, 17 Circuits, Natural KK 254 Crimp Housing, High | <u>10112183</u> |
| Pressure, 18 Circuits, Natural 2.36mm Diameter Standard .093" Pin and Socket Header, Shrouded, 3 Circuits, 2 Male Terminals | <u>10181031</u> |
| 2.36mm Diameter Standard .093" Pin and Socket Header, Shrouded, 3 Circuits, 3 Male Terminals | <u>10181032</u> |
| 2.36mm Diameter Standard .093" Pin and Socket Header, Shrouded, 3 Circuits, 1 Female Terminal, 2 Male Terminals | <u>10181033</u> |
| 2.36mm Diameter Standard .093" Pin and Socket Header, Shrouded, 3 Circuits, 1 Female Terminal, 2 Male Terminals | <u>10181034</u> |
| 2.36mm Diameter Standard .093" Pin and Socket Header, Shrouded, 3 Circuits, 2 Male Terminals, 1 Female Terminal | <u>10181035</u> |
| 2.36mm Diameter Standard .093" Pin and Socket Header, Shrouded, 3 Circuits, 1 Female Terminal, 1 Male Terminal | <u>10181036</u> |
| 2.36mm Diameter Standard .093" Pin and Socket Header, Shrouded, 3 Circuits, 2 Female Terminals, 1 Male Terminal | <u>10181037</u> |
| 2.36mm Diameter Standard .093" Pin and Socket Header, | <u>10181038</u> |

Shrouded, 3 Circuits,
3 Female Terminals
2.36mm Diameter 10181040
Standard .093" Pin
and Socket Header,
Shrouded, 4 Circuits,
1 Female Terminal, 1
Male Terminal
2.36mm Diameter 10181041
Standard .093" Pin
and Socket Header,
Shrouded, 4 Circuits,
4 Male Terminals
2.36mm Diameter 10181042
Standard .093" Pin
and Socket Header,
Shrouded, 4 Circuits,
4 Female Terminals
2.36mm Diameter 10181043
Standard .093" Pin
and Socket Header,
Shrouded, 4 Circuits,
1 Female Terminal, 3
Male Terminals
2.36mm Diameter 10181044
Standard .093" Pin
and Socket Header,
Shrouded, 4 Circuits,
3 Female Terminals,
1 Male Terminals
2.36mm Diameter 10181045
Standard .093" Pin
and Socket Header,
Shrouded, 4 Circuits,
2 Male Terminals, 2
Female Terminals
2.36mm Diameter 10181046
Standard .093" Pin
and Socket Header,
Shrouded, 4 Circuits,
3 Male Terminals, 1
Female Terminal
2.36mm Diameter 10181047
Standard .093" Pin
and Socket Header,
Shrouded, 4 Circuits,
1 Female Terminal, 3
Male Terminals
2.36mm Diameter 10181048
Standard .093" Pin
and Socket Header,
Shrouded, 4 Circuits,
1 Female Terminal,
2 Male Terminals, 1
Female Terminal, 1
Male Terminal
2.36mm Diameter 10181049
Standard .093" Pin
and Socket Header,
Shrouded, 4 Circuits,
2 Female Terminals,
1 Male Terminal, 1
Female Terminal,
1 Male Terminal, 1
Female Terminal

| | |
|---|-----------------|
| 2.36mm Diameter Standard .093" Pin and Socket Header, Shrouded, 4 Circuits, 2 Female Terminals, 2 Male Terminals | <u>10181050</u> |
| 2.36mm Diameter Standard .093" Pin and Socket Header, Shrouded, 9 Circuits, 9 Male Terminals | <u>10181090</u> |
| 2.36mm Diameter Standard .093" Pin and Socket Header, 3 Rows, Shrouded, Unfilled Polyester, UL 94V-0, 9 Circuits, 9 Female Terminals | <u>10181091</u> |
| 2.36mm Diameter Standard .093" Pin and Socket Header, Shrouded, 12 Circuits, 12 Male Terminals | <u>10181120</u> |
| 2.36mm Diameter Standard .093" Pin and Socket Header, 3 Rows, Shrouded, Unfilled Polyester, UL 94V-0, 12 Circuits, 12 Female Terminals | <u>10181122</u> |
| 2.36mm Diameter Standard .093" Pin and Socket Header, Shrouded, 15 Circuits, 15 Male Terminals | <u>10181150</u> |
| 5.08mm Pitch SPOX Crimp Housing, Female, with Friction Ramp and Void, 2 Circuits | <u>10221022</u> |
| 2.50mm Pitch KK Crimp Terminal Housing, 3 Circuits | <u>10302031</u> |
| 5.00/7.50mm Pitch SPOX Header, Vertical, with Friction Lock, 2 Circuits | <u>10311028</u> |
| 5.00/7.50mm Pitch SPOX Header, Vertical, with Friction Lock, 3 Circuits | <u>10311038</u> |
| 5.00/7.50mm Pitch SPOX Header, Vertical, with Friction Lock, 4 Circuits | <u>10311048</u> |
| 5.00/7.50mm Pitch SPOX Header, Vertical, with Friction Lock, 5 Circuits | <u>10311058</u> |
| 5.00/7.50mm Pitch SPOX Header, | <u>10311068</u> |

This document was generated on 09/15/2019

PLEASE CHECK WWW.MOLEX.COM FOR LATEST PART INFORMATION