

SWING HANDLE



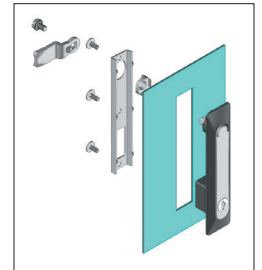
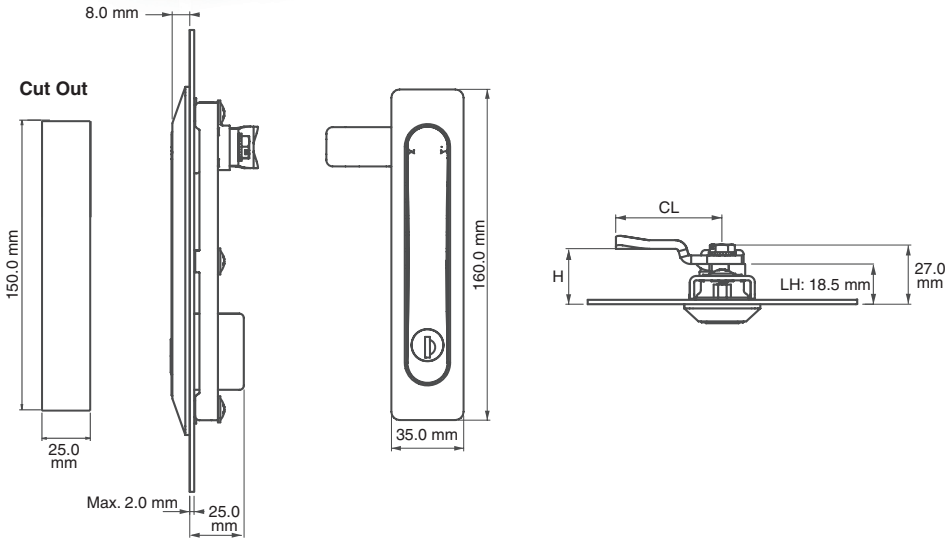
*Example with cam.
Cam sold separately.

Specifications

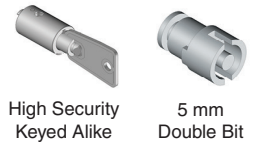
- Material:
Body: Polyamide DIN-EN ISO 1043-1 PA6 GFR 30
Handle: Zinc Alloy (Zamak) DIN-EN 1774-ZnAl4Cu1
Cam: Steel or PA6 GFR 30
Seal: Polyurethane
- Cut out: 25.0 mm x 150.0 mm

Features

- Steel installation bracket for improved stability and grounding
- Ultra-low external profile, 8 mm, for flush appearance
- Spring-loaded, slam-action swinghandle
- Applications: Electric panels, machinery covers, rack enclosures



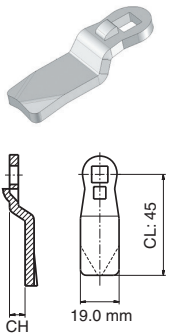
Driver/Head Styles



Item Number		Cylinder / Driver	Cam
Zinc Alloy / Chrome*	Zinc Alloy / Black*		
008120300	008220300	Stainless dust cap keyed alike	Select Cam Below
—	008221500	5mm Double bit	Select Cam Below
008122000	008222000	High-security keyed alike	Select Cam Below
008120700	008220700	CH751	Select Cam Below

* Handle material / finish. Body material is nylon.

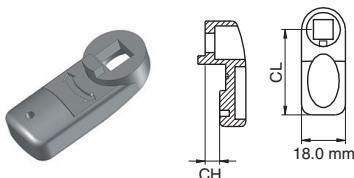
Steel Cam



Item Number	CH (mm)	CL (mm)	H (mm)
30403033	0.0	45.0	18.5
30403439	1.0	45.0	19.5
30403159	2.0	45.0	20.5
30403063	3.0	45.0	21.5
30403149	4.0	45.0	22.5
30403160	6.0	45.0	24.5
30403161	8.0	45.0	26.5
30403162	10.0	45.0	28.5
30403045	12.0	45.0	30.5
30403163	14.0	45.0	32.5
30403151	16.0	45.0	34.5

Item Number	CH (mm)	CL (mm)	H (mm)
30403165	18.0	45.0	36.5
30403166	20.0	45.0	38.5
30403167	22.0	45.0	40.5
30403168	24.0	45.0	42.5
30403169	-2.0	45.0	16.5
30403170	-4.0	45.0	14.5
30403171	-6.0	45.0	12.5
30403172	-8.0	45.0	10.5
30403173	-10.0	45.0	8.5
30403174	-12.0	45.0	6.5
30403175	-14.0	45.0	4.5

Nylon Cam



Item Number	CH (mm)	CL (mm)	H (mm)
30402004	0.0	35.0	18.5
30402011	0.0	25.0	18.5
30402005	6.0	35.0	24.5
30402008	4.0	45.0	22.5
30402013	-4.0	45.0	14.5