



ZIGBEE® NETWORK  
RANGE EXTENDER



# DIGI XBEE-PRO® ZIGBEE WALL ROUTER

The Digi XBee-PRO ZigBee wall router is an easy-to-deploy, plug-in extender/router that expands the reach of ZigBee networks

Digi's XBee-PRO ZigBee wall router is a network extender used to create or expand a wireless ZigBee network, allowing seamless communication between ZigBee enabled devices. The wall router plugs into a standard power outlet for quick and easy deployment. Once deployed, the unit acts as a routing node, providing users with expanded network range and adding redundancy to a mesh network.

The wall router is built upon the extended-range Digi XBee-PRO ZigBee module, giving users full interoperability with other Digi XBee® ZigBee based devices. Additionally, the Digi XBee ZigBee family of products utilizes the ZigBee PRO

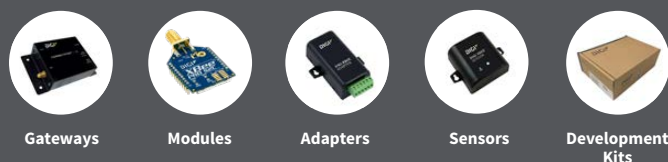
Feature Set (ZPFS), enabling network interoperability with ZPFS products from other vendors.

Part of Digi's unsurpassed offering of Drop-in Networking products, the Digi XBee-PRO ZigBee wall router provides seamless communication between devices, including embedded modules, device adapters and gateways. Digi XBee ZigBee modules deliver wireless connectivity to end-point devices in ZigBee networks. Digi XBee device adapters provide wireless connectivity to electronic devices in wired networks. ConnectPort® X gateways enable users to access and configure remote Digi XBee devices in a network.

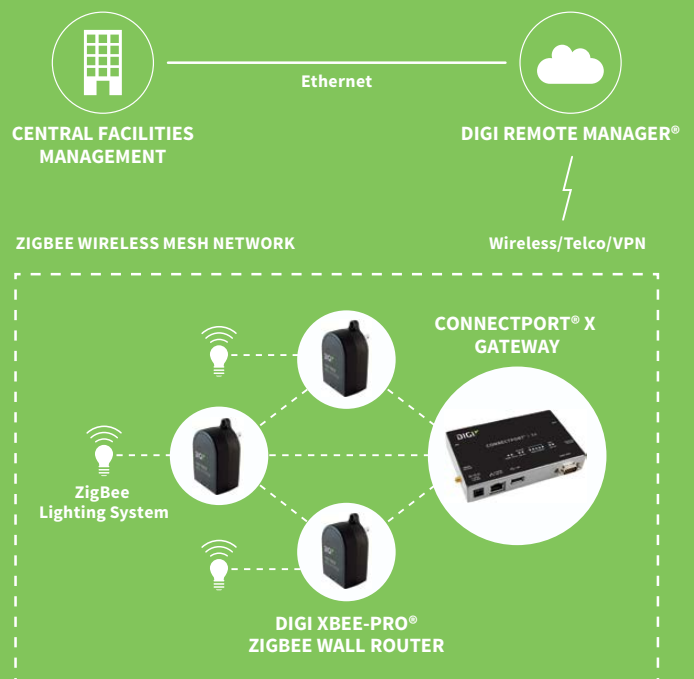
## BENEFITS

- Extends the range and strength of a ZigBee network
- Creates additional network pathways for more reliable mesh networking
- Plugs into a standard power outlet for easy deployment
- Small form factor for unobtrusive deployment
- Integrated light and temperature sensors
- Secure mounting tab prevents accidental unplugging and theft (North American unit only)

## RELATED PRODUCTS



## APPLICATION EXAMPLE



# SPECIFICATIONS

# Digi XBee-PRO® ZigBee Wall Router

## PERFORMANCE

<b>RF DATA RATE</b>	250 Kbps
<b>INDOOR/URBAN RANGE*</b>	Up to 300 ft (90 m) / 200 ft (60m) Int'l variants
<b>OUTDOOR/RF LINE-OF-SIGHT RANGE*</b>	Up to 1 mile (1.6 km) / 2500 ft (750 m) Int'l variants
<b>TRANSMIT POWER</b>	50 mW (+17 dBm) / 10 mW (+10 dBm) Int'l variants
<b>RECEIVER SENSITIVITY (1% PER)</b>	-102 dBm

## FEATURES

<b>INTERFACES</b>	Network interoperable with ZigBee PRO Feature Set devices
<b>FREQUENCY BAND</b>	2.4 GHz (ISM)
<b>LEDS</b>	Power: Solid when external power is supplied Associate: Blinks when unit is connected and associated to an RF Network
<b>PUSH BUTTON</b>	Device reset, configuration reset to factory defaults, identification/commissioning mode
<b>ANTENNA OPTIONS</b>	Internal
<b>LOCKING MECHANISM</b>	Unit secures to power outlet using center outlet screw (U.S. only)

## INTEGRATED TEMPERATURE & LIGHT SENSOR

<b>TEMPERATURE SENSOR</b>	Range: 0° C to 70° C (32° F to 158° F) Accuracy: +/- 2° C
<b>AMBIENT LIGHT SENSOR</b>	Range of spectral bandwidth: 360 to 970 nm (similar to human eye); Wavelength of peak sensitivity: 570 nm

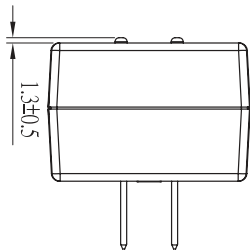
## GENERAL

<b>DIMENSIONS (L X W X H)</b>	2.87 in x 1.97 in x 1.37 in (7.30 cm x 5.00 cm x 3.50 cm)
<b>WEIGHT</b>	2.50 oz (70.87 g)
<b>POWER INPUT</b>	Universal AC input (85VAC to 265VAC)
<b>ENVIRONMENT (TEMPERATURE/LUX)</b>	0° C to 70° C (32° F to 158° F; sub 1200 lux)
<b>RELATIVE HUMIDITY</b>	5% to 95% (non-condensing)

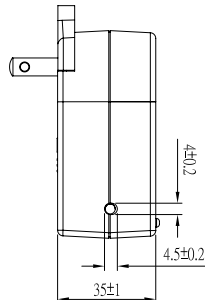
## REGULATORY APPROVALS

<b>FCC (USA)</b>	Yes
<b>IC (CANADA)</b>	Yes
<b>CE/ETSI (EUROPE)</b>	Yes, Int'l variant
<b>C-TICK (AUSTRALIA)</b>	Yes
<b>TELEC (JAPAN)</b>	Yes, Int'l variant

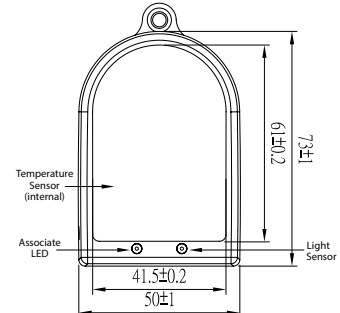
DIGI XBEE-PRO WALL ROUTER - TOP  
(NORTH AMERICA VERSION ONLY)



DIGI XBEE-PRO WALL ROUTER - SIDE



DIGI XBEE-PRO WALL ROUTER - FRONT



\*Range figure estimates are based on free-air terrain with limited sources of interference. Actual range will vary based on transmitting power, orientation of transmitter and receiver, height of transmitting antenna, height of receiving antenna, weather conditions, interference sources in the area, and terrain between receiver and transmitter, including indoor and outdoor structures such as walls, trees, buildings, hills, and mountains.

PART NUMBERS	DESCRIPTION
XR-Z14-CW1P1	Digi XBee-PRO ZigBee Wall Router, US and AU Power Plug
XR-Z14-CW1P2	Digi XBee-PRO ZigBee Wall Router, EU, UK, and JPN Power Plug

FOR MORE INFORMATION  
PLEASE VISIT [WWW.DIGI.COM](http://WWW.DIGI.COM)

**DIGI SERVICE AND SUPPORT** / You can purchase with confidence knowing that Digi is always available to serve you with expert technical support and our industry leading warranty. For detailed information visit [www.digi.com/support](http://www.digi.com/support).

© 1996-2018 Digi International Inc. All rights reserved.  
All trademarks are the property of their respective owners.

91001423  
C7/818

**DIGI INTERNATIONAL WORLDWIDE HQ**  
877-912-3444 / 952-912-3444 / [www.digi.com](http://www.digi.com)

**DIGI INTERNATIONAL GERMANY**  
+49-89-540-428-0

**DIGI INTERNATIONAL JAPAN**  
+81-3-5428-0261 / [www.digi-intl.co.jp](http://www.digi-intl.co.jp)

**DIGI INTERNATIONAL SINGAPORE**  
+65-6213-5380

**DIGI INTERNATIONAL CHINA**  
+86-21-50492199 / [www.digi.com.cn](http://www.digi.com.cn)

