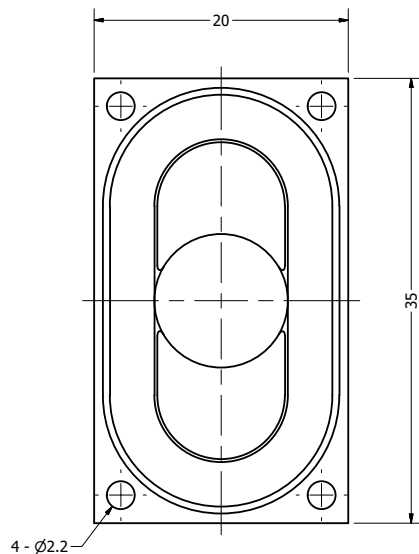
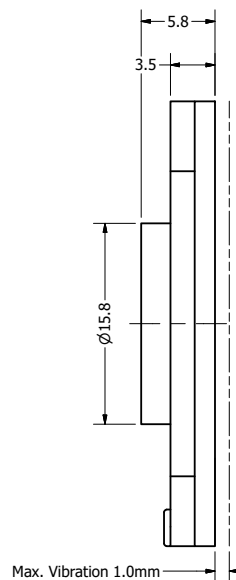


Part Number:		DRAWN	
SW350804-1		CJ	3/13/2017
		CHECKED	10/5/2017
Description:		P.D.	10/5/2017
Waterproof Dynamic Speaker		APPROVED	10/5/2017
		C.E.	
This document contains data proprietary to DB Unlimited. Any use or reproduction, in any form, without prior written permission of DB Unlimited is prohibited. All terms and conditions can be found at www.dbunlimitedco.com			

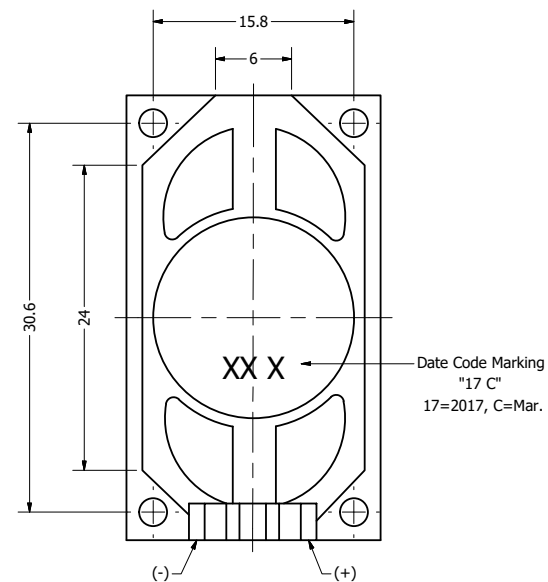
Top View



Side View



Bottom View



Items	Specifications	Conditions
Sound Pressure Level	100	dB (@ 10cm), Avg.
Resonant Frequency	850	Hz
Frequency Range	850 ~ 20,000	Hz
Nominal Power	2	W
Max. Power	2.5	W
Impedance	4	Ω
Cone Material	PEN	
Mount Type	Frame Mount	
IP Rating	IP67	
Storage Temperature	-40 ~ +80	$^{\circ}\text{C}$
Operating Temperature	-40 ~ +70	$^{\circ}\text{C}$
Weight	4.55	g

REVISION HISTORY

REV	DESCRIPTION	DATE	APPROVED
	Released from Engineering	10/5/2017	C.E.
1	Added polarity marking	10/25/2017	C.E.
2	Update markings	2/28/2018	C.E.

NOTES

- 1) All dimensions are in mm unless otherwise noted
- 2) All tolerances are ± 0.2 mm unless otherwise noted
- 3) All parts meet RoHS
- 4) Subject to change or redrawn without notice