

# STB-10

## RECESSED CONTACTS

.35"×.75"(9mm×19mm) STUBBY TYPE



Contact Size: .35"×.75"(9mm×19mm)

Standard Magnet Size: .35"×.75"(9mm×19mm)

Standard Gap: 0.6"(15mm)

Colors: White, Brown

12"(305mm) 22 AWG Leads Standard

Longer leads available.

### Specifications

Part Number	Gap Inch(mm)	Loop Open/Closed	Reed Form	Max. Contact Rating (W)	Max. Initial Contact Resistance (mΩ)	Max. Switching Voltage (V)	Max. Switching Current (A)
STB-10	.6"(15)	CLOSED	Normally Open	10	100	AC110/DC100	0.5
STB-11B	.5"(12.5)	OPEN	Normally Closed	3	100	AC30/DC30	0.2
STB-10 WG	1.26"(32)	CLOSED	Normally Open	10	100	AC110/DC100	0.5
STB-10 DM	.5"(12.5)	CLOSED	Normally Open	10	100	AC110/DC100	0.5
STB-10 W/MINI	.6"(15)	CLOSED	Normally Open	10	100	AC110/DC100	0.5
STB-10 W/FLT	.47"(12)	CLOSED	Normally Open	10	100	AC110/DC100	0.5
* STB-12C Special Order	.5"(12.5)	SPDT	SPDT	3	100	AC30/DC30	0.2

OPERATING TEMPERATURE:-40°C to +60°C

\* SPECIAL ORDER - Call for Min. Order Qty. - Leadtime - Pricing



The Best Guarantee Since 1984 : \$50-1

## TANE ALARM PRODUCTS

906 JERICHO TURNPIKE, NEW HYDE PARK, NY 11040

Tel: 800-852-5050 • 516-328-3351 • Fax: 516-326-9125

www.tanealarm.com • E-MAIL: info@tanealarm.com

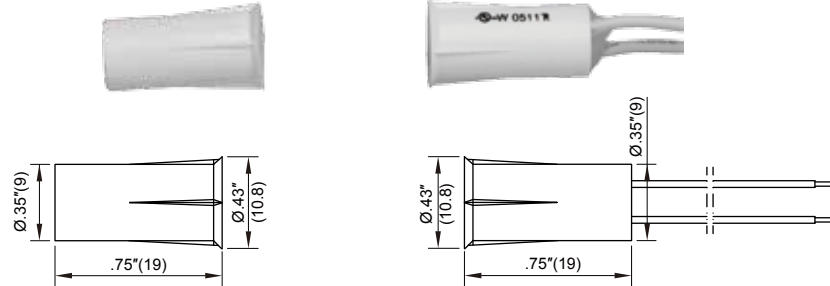
# STB-10

# RECESSED CONTACTS

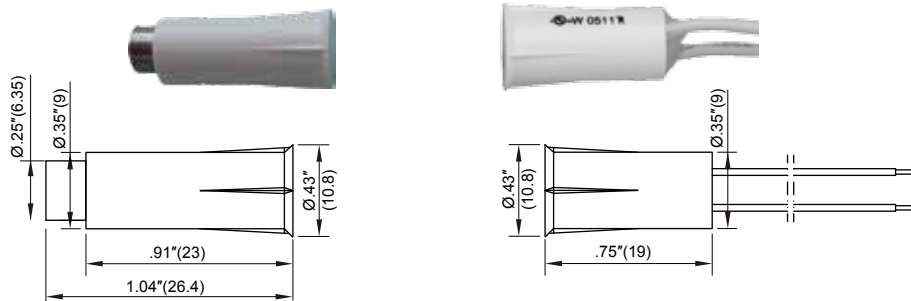
## Outline Dimensions

Unit: inch(mm)

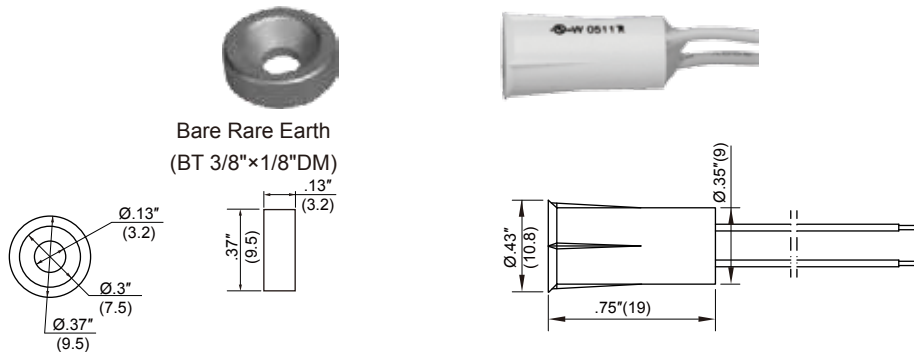
### STB-10/STB-11B



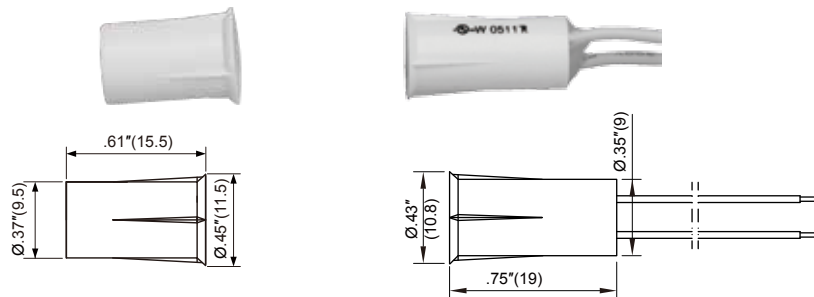
### STB-10 WG



### STB-10 DM



### STB-10 W/MINI



The Best Guarantee Since 1984 : \$50-1

## TANE ALARM PRODUCTS

906 JERICHO TURNPIKE, NEW HYDE PARK, NY 11040

Tel: 800-852-5050 • 516-328-3351 • Fax: 516-326-9125

www.tanealarm.com • E-MAIL: info@tanealarm.com

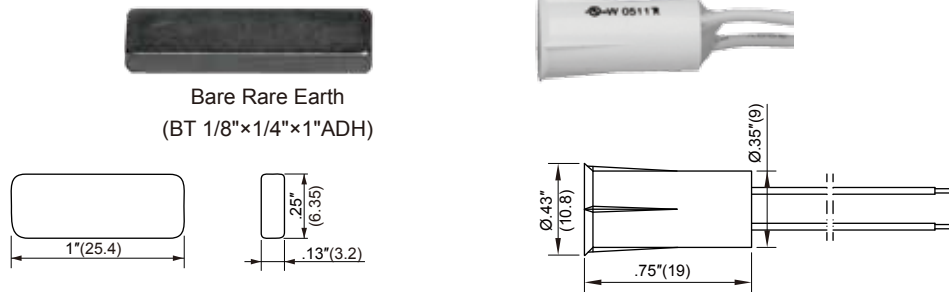
# STB-10

# RECESSED CONTACTS

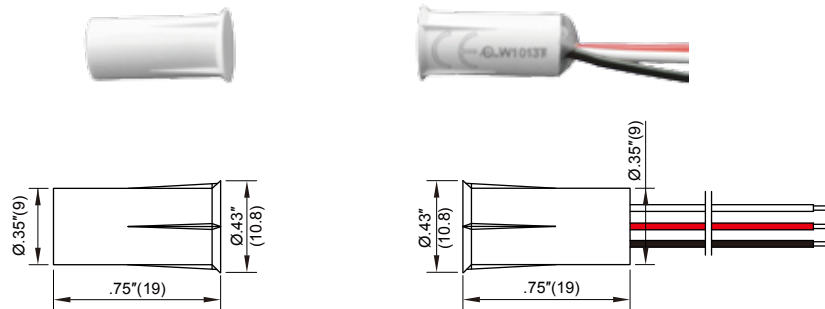
## Outline Dimensions

Unit: inch(mm)

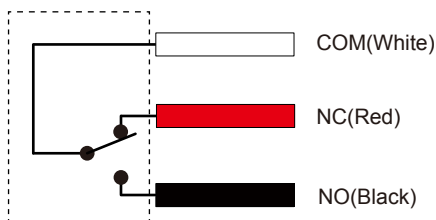
### STB-10 W/FLT



### STB-12C



### STB-12C Wiring Diagram



The Best Guarantee Since 1984 : \$50-1

## TANE ALARM PRODUCTS

906 JERICHO TURNPIKE, NEW HYDE PARK, NY 11040

Tel: 800-852-5050 • 516-328-3351 • Fax: 516-326-9125

www.tanealarm.com • E-MAIL: info@tanealarm.com