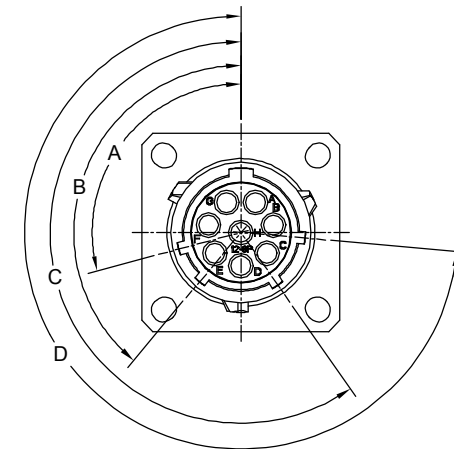


REVISIONS					
REV	ECO	DESCRIPTION	DATE	BY	APPR
B1	-	RELEASED DRAWING	Nov-17-2014	Ben	Tommy
B2	-	Update the Drawing	Oct-08-2016	Regan	Tommy
B3	-	VOLTAGE UPDATE AND ADD KEY ICON	Jun-15-2020	Ronald	Tommy



NOTES : (UNLESS OTHERWISE SPECIFIED)

1. MATERIAL :

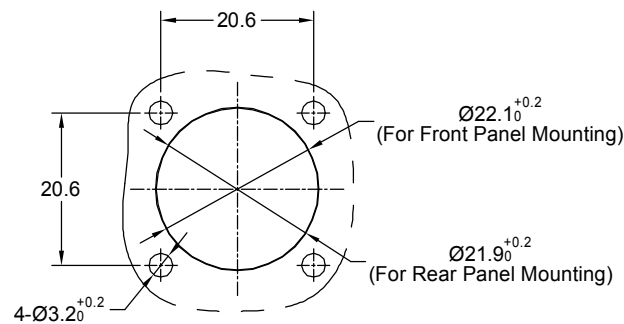
- SHELL : ZINC ALLOY , NICKEL PLATED.
- INSERT : THERMOPLASTIC , UL94 V-0.
- END CAP : THERMOPLASTIC , UL94 V-0.
- PLASTIC BUSHING : THERMOPLASTIC , UL94 V-0.
- SEAL GASKET : NBR/SILICONE RUBBER.
- O-RING : NBR/SILICONE RUBBER.
- WIRE SEAL : SILICONE RUBBER.

2. SPECIFICATIONS :

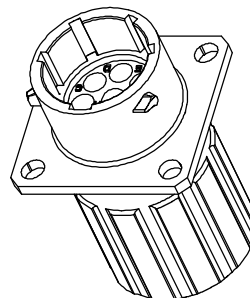
- 2.1 RATED CURRENT : 13A (MAX).
- 2.2 RATED VOLTAGE : 500V (AC/DC) .
- 2.3 OPERATING TEMPERATURE : SEE CHART.
- 2.4 DIELECTRIC WITHSTANDING VOLTAGE : LESS THAN 2 MILLIAMPS CURRENT LEAKAGE@2000 VOLTS AC.
- 2.5 INSULATION RESISTANCE : 5000 MEGOHMS MIN.
- 2.6 IP--CLASS : IP67 (MATED CONDITION).
- 2.7 MATING CYCLES DURABILITY : 500 CYCLES MIN.
- 2.8 RoHS COMPLIANT.

3. SUITABLE CONTACTS : 16# CONTACTS.

- 4. ALL DIMENSIONS ARE FOR REFERENCE USE ONLY.
- 5. CONTACT SIZE AND REAR SEAL WIRE RANGE :



PANEL CUT OUT REFERENCE



Contact Size	Insulation Overall Diameter(min-max)	Wire Range
16#	Ø2.0mm - Ø3.2mm	14 - 24AWG

KEY POS	PART NUMBER		A	B	C	D
	-40°C ~ 105°C	-40°C ~ 125°C				
N	RT00128PNHEC	RT00128PNHEC03	105°	140°	215°	265°
W	RT00128PWHEC	RT00128PWHEC03	60°	140°	215°	265°
X	RT00128PXHEC	RT00128PXHEC03	105°	155°	215°	265°
Y	RT00128PYHEC	RT00128PYHEC03	105°	140°	225°	265°
Z	RT00128PZHEC	RT00128PZHEC03	105°	140°	215°	295°

QUANTITY	SEE PART NUMBER CHART	DESCRIPTION	ITEM
----------	-----------------------	-------------	------

MATERIALS LIST			
UNLESS OTHERWISE SPECIFIED 1) All dimensions are in metric(mm). 2) Tolerances are as follows: 1 PL DEC ±0.30 2 PL DEC ±0.15 3 PL DEC ±0.08 Fractions ±1/64 Angles ±1° 3) Note reference =		SIGNATURES DATE DRAWN: Ronald Jun-15-2020 CHECKED: Flan Jun-16-2020 ENGINEER: APPROVAL: Tommy Jun-17-2020 CUSTOMER:	
MATERIAL SPECIFICATIONS: THIS DRAWING IS SUPPLIED FOR INFORMATION ONLY. DESIGN FEATURES, SPECIFICATIONS AND PERFORMANCE DATA SHOWN HEREON ARE THE PROPERTY OF THE AMPHENOL CORPORATION. NO RIGHTS OF REPRODUCTION ARE IMPLIED. ALL DIMENSIONS ARE SUBJECT TO NORMAL MANUFACTURING VARIATIONS.		 Sine Systems - www.amphenol-sine.com 44724 Morley Drive Clinton Township, MI 48036	
PROCESS SPECIFICATIONS: NEXT ASSY:		ECOMATE RM, RECEPTACLE, SIZE 12,8POS,PIN,END CAP. SIZE TYPE DWG NO: RT00128P*HEC B C- B3 SCALE NONE SHEET 1 OF 1	

TITLE: ECOMATE RM,RECEPTACLE, SIZE 12,8POS,PIN,END CAP.
 DWG NO: RT00128P*HEC
 REV: B3
 SH: 1
 OF: 1