

Type CSG-01
Fuse Clip – with End Stops
13/32” (10.3mm) Diameter Fuses



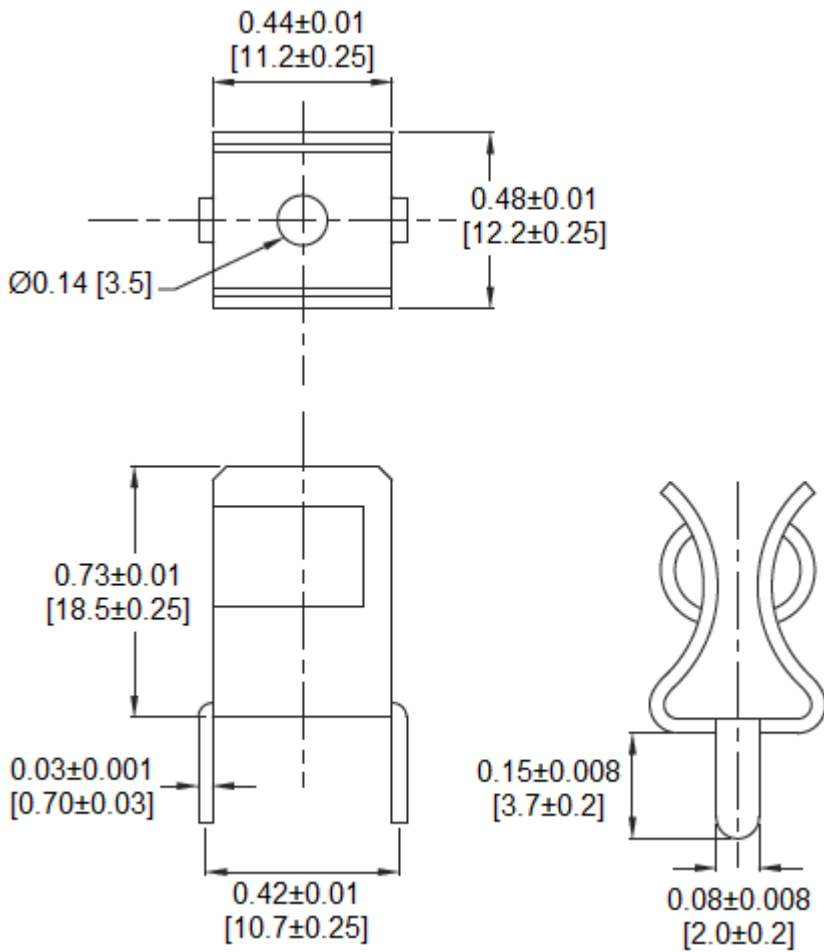
www.optifuse.com (619) 593-5050

Specifications:

- Rating: 30A, 250V AC
- Body Material: Spring Brass
- Finish: Bright Tin Plated
- Fuse Clip Type: With End Stops

For use with 13/32” (10.3mm) Diameter Fuses

Mechanical Dimensions: Inches [mm]



<p>Warning:</p>	<ul style="list-style-type: none"> -Operation beyond the specified maximum ratings or improper use may result in damage and possible electrical arcing and/or flame. -Avoid contact of device with chemical solvent. Prolonged contact may damage the device performance. -Not designed for prolonged liquid exposure or submersible applications.
------------------------	---

Note: All specifications subject to change without notice.