



Main

| | |
|---------------------------|-----------------------------|
| Range of Product | Harmony 9001KS |
| Product or Component Type | Selector switch |
| Device short name | 9001K |
| Type of operator | Right to left spring return |
| Operator profile | Black long handle |

Complementary

| | |
|-------------------------------|------------------------|
| Bezel material | Chromium plated metal |
| Mounting diameter | 1.18 in (30 mm) |
| Net Weight | 0.38 lb(US) (0.172 kg) |
| Shape of signaling unit head | Octagonal |
| Operator position information | 2 positions |
| Contacts type and composition | Without contact block |
| Mechanical durability | 500000 cycles |
| Product compatibility | 9001KA2 side 1 or 2 |
| Device presentation | Basic element |

Environment

| | |
|---------------------------------------|--|
| Protective treatment | TC |
| Ambient Air Temperature for Storage | -40...158 °F (-40...70 °C) |
| Ambient air temperature for operation | -13...158 °F (-25...70 °C) |
| Overvoltage category | Class II IEC 61140 |
| IP degree of protection | IP66 IEC 60529 |
| NEMA degree of protection | NEMA 1 NEMA 12 NEMA 13 NEMA 2 NEMA 3 NEMA 3R NEMA 4 |
| Standards | CSA C22.2 No 14 EN/IEC 60947-5-4 EN/IEC 60947-5-1 UL 508 JIS C 852 JIS C 4520 EN/IEC 60947-1 |
| Product Certifications | NEMA UL 508 |
| Vibration resistance | 7 gn 2...500 Hz)IEC 60068-2-6 |
| Shock resistance | 50 gn IEC 60068-2-27 |

Ordering and shipping details

| | |
|-----------------------|-------------------------------|
| Category | 21426 - 9001 K (NOT KA,KM,KX) |
| Discount Schedule | CS1 |
| GTIN | 3389119001311 |
| Nbr. of units in pkg. | 1 |
| Package weight(Lbs) | 4.46 oz (126.5 g) |
| Returnability | No |
| Country of origin | MX |

Packing Units

| | |
|------------------------|------------------|
| Unit Type of Package 1 | PCE |
| Package 1 Height | 2.05 in (5.2 cm) |
| Package 1 width | 2.28 in (5.8 cm) |
| Package 1 Length | 2.83 in (7.2 cm) |

Offer Sustainability

| | |
|----------------------------|--|
| Sustainable offer status | Green Premium product |
| California proposition 65 | WARNING: This product can expose you to chemicals including: Nickel compounds, which is known to the State of California to cause cancer, and Di-isodecyl phthalate (DIDP), which is known to the State of California to cause birth defects or other reproductive harm. For more information go to www.P65Warnings.ca.gov |
| REACH Regulation | REACH Declaration |
| EU RoHS Directive | Pro-active compliance (Product out of EU RoHS legal scope) EU RoHS Declaration |
| Mercury free | Yes |
| RoHS exemption information | Yes |
| China RoHS Regulation | China RoHS Declaration |
| Environmental Disclosure | Product Environmental Profile |
| WEEE | The product must be disposed on European Union markets following specific waste collection and never end up in rubbish bins. |

Contractual warranty

| | |
|----------|-----------|
| Warranty | 18 months |
|----------|-----------|

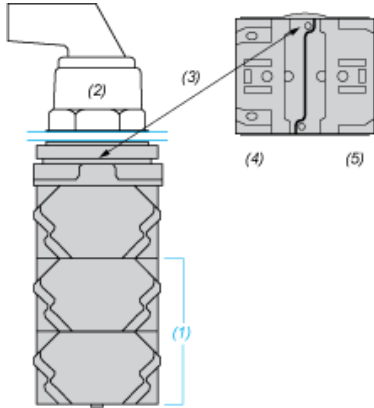
Dimensions



e panel thickness: 1 to 6 mm / 0.04 to 0.24 in.

Contact Block Mounting Position

Top and Rear views



- (1) It is possible to mount up to 3 levels of contacts blocks (maximum of 6 contacts blocks)
- (2) Operator
- (3) Locating notch
- (4) Side 1
- (5) Side 2

Panel Cut-Out

Clearance



| Legend plate | a min. | | b min. | |
|--------------|--------|------|--------|------|
| | mm | in. | mm | in. |
| 9001KN2•• | 57.2 | 2.25 | 44.5 | 1.75 |
| 9001KN3•• | 57.2 | 2.25 | 50.8 | 2.00 |

Individual Cut-outs Details

2 alternatives

