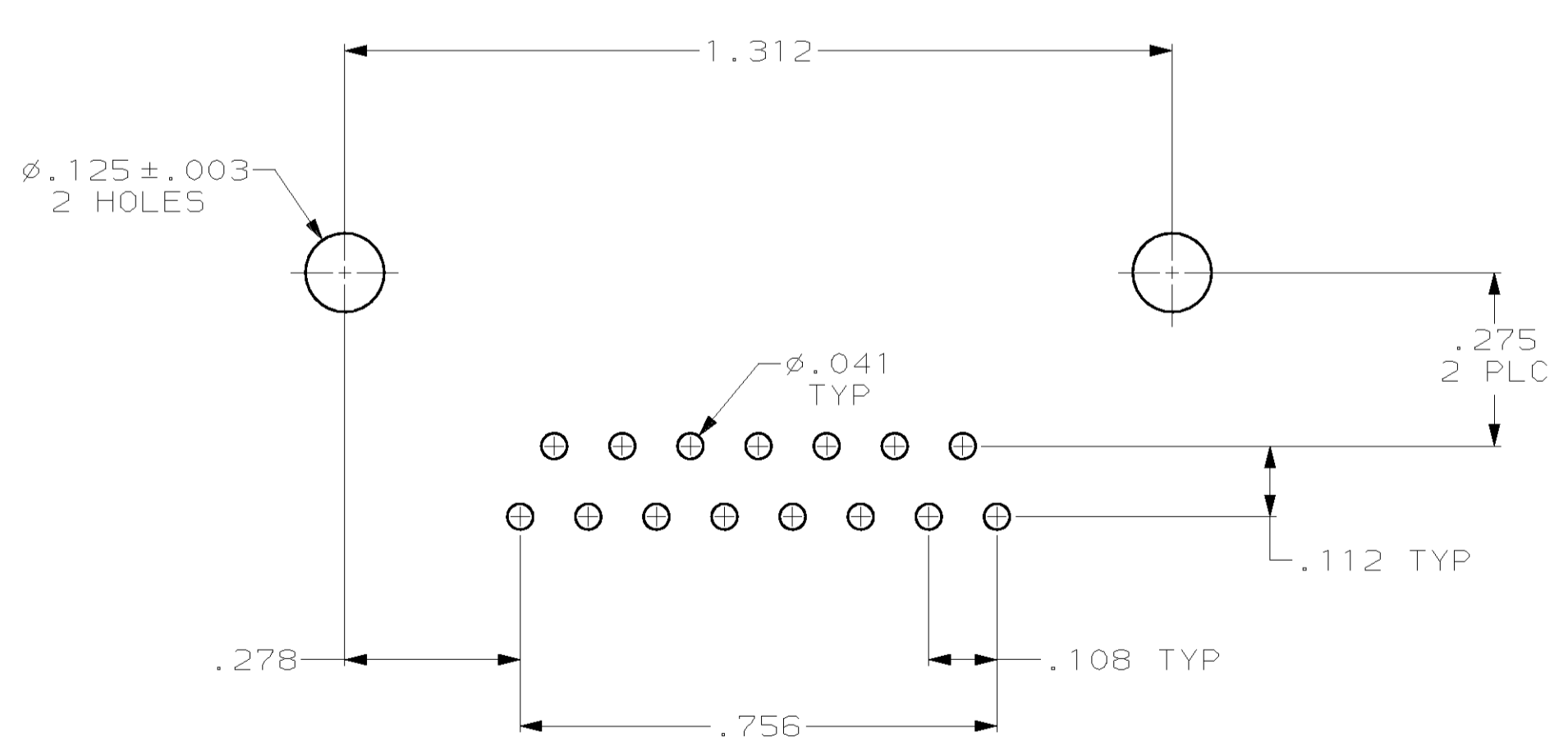
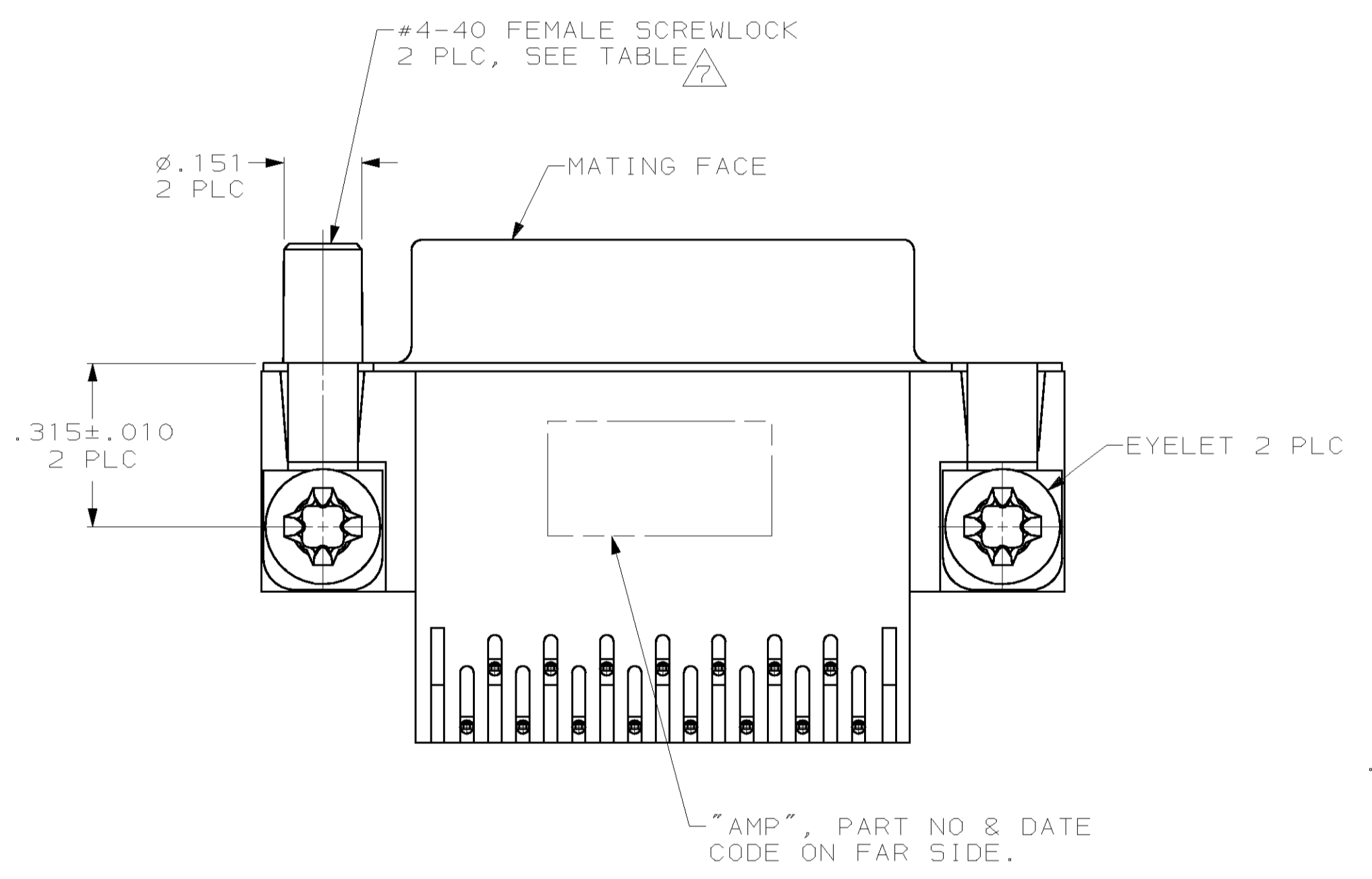
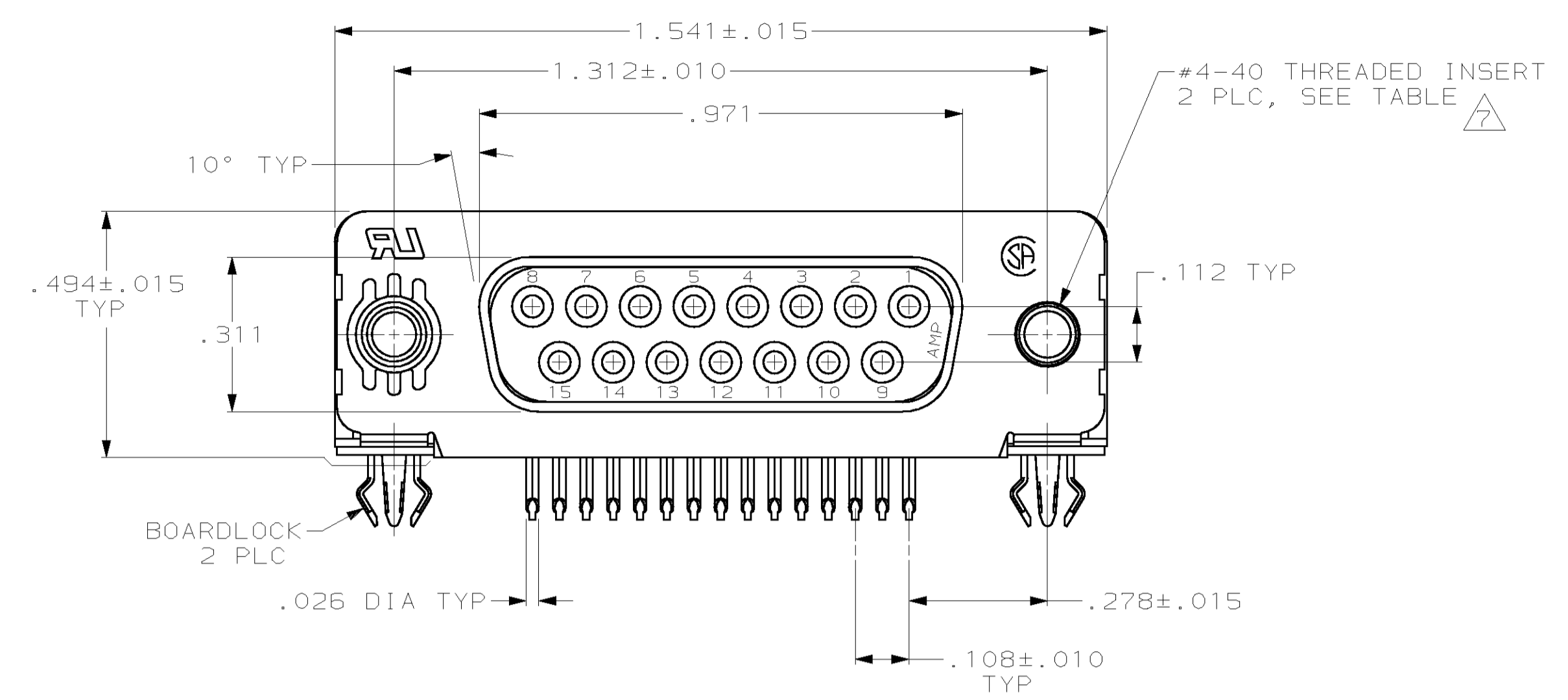


LOC	DIST	REV	DATE	BY	CHK	APVD
BD	77	P	23NOV99	DD	KB	
		R	08 MAY 00	DB	JK	



- CONNECTOR MATES WITH ANY 15 POSITION PLUG IN AMPLIMITE™ SERIES.
- MOLDED PARTS: FLAME RETARDANT 94V-0 RATED THERMOPLASTIC, BLACK.  
SHELL: STEEL PER ASTM A109  
CONTACTS: PHOSPHOR BRONZE PER QQ-B-750  
EYELETS: BRASS  
SCREWLOCKS: ZINC  
INSERTS: ZINC  
BOARDLOCKS: COPPER ALLOY
- SHELL: .000100 MIN TIN OR TIN-LEAD  
CONTACTS: SEE TABLE  
EYELETS: TIN  
BOARDLOCKS: TIN-LEAD  
INSERTS AND SCREWLOCKS: CLEAR CHROMATE
- GOLD PLATING PER MIL-G-45204; NICKEL PLATING PER QQ-N-290; TIN PLATING PER MIL-T-10727.
- GOLD FLASH FOR A DISTANCE OF .100 MIN FROM MATING END, .000100-.000200 BRIGHT TIN OR BRIGHT TIN-LEAD ON TERMINATION END, ALL OVER .000050 NICKEL ON ENTIRE CONTACT.
- .000030 GOLD FOR A DISTANCE OF .100 MIN FROM MATING END, .000100-.000200 BRIGHT TIN OR BRIGHT TIN-LEAD ON TERMINATION END, ALL OVER .000050 NICKEL ON ENTIRE CONTACT.
- SCREWLOCKS & INSERTS WILL WITHSTAND 4 IN-LBS TORQUE & 20 LBS PULL OUT FORCE FROM MATING FACE SIDE.

OBSOLETE	FEMALE SCREWLOCKS	6	747837-6
OBSOLETE	FEMALE SCREWLOCKS	5	747837-5
	THREADED INSERTS	6	747837-4
SUPSD BY 747837-4	THREADED INSERTS	5	747837-3
OBSOLETE	.125 DIA HOLES	6	747837-2
OBSOLETE	.125 DIA HOLES	5	747837-1
	MOUNTING HARDWARE		
	CONTACT FINISH	4	
			PART NUMBER

THIS DRAWING IS A CONTROLLED DOCUMENT.

DIMENSIONS INCHES	TOLERANCES UNLESS OTHERWISE SPECIFIED	DATE	24 JAN 91
0 PLC	±.005	DRW	J. GALLUCCI
1 PLC	±.005	CHK	W.G. LENKER
2 PLC	±.005	APVD	J. YOUNG
3 PLC	±.005	DATE	15 APR 91
4 PLC	±.005	NAME	RECEPTACLE ASSEMBLY, SIZE 2, RIGHT ANGLE, .590 SERIES, FRONT METAL SHELL, .025 DIA POSTS, BOARDLOCKS, AMPLIMITE™ HD-20
ANGLES	±.2°	SIZE	114-40010
		SCALE	4:1
		WEIGHT	-
		CUSTOMER DRAWING	SCALE 4:1 SHEET 1 OF 1 REV R

AMP Incorporated  
 Harrisburg, PA 17105-3608

AMP  
 RECEIPT NO: 747837