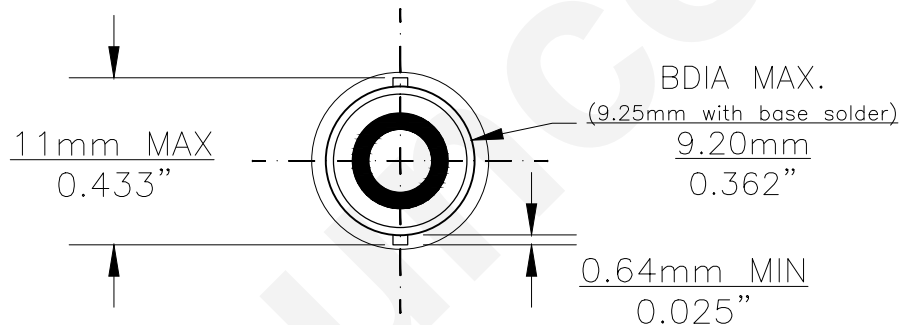
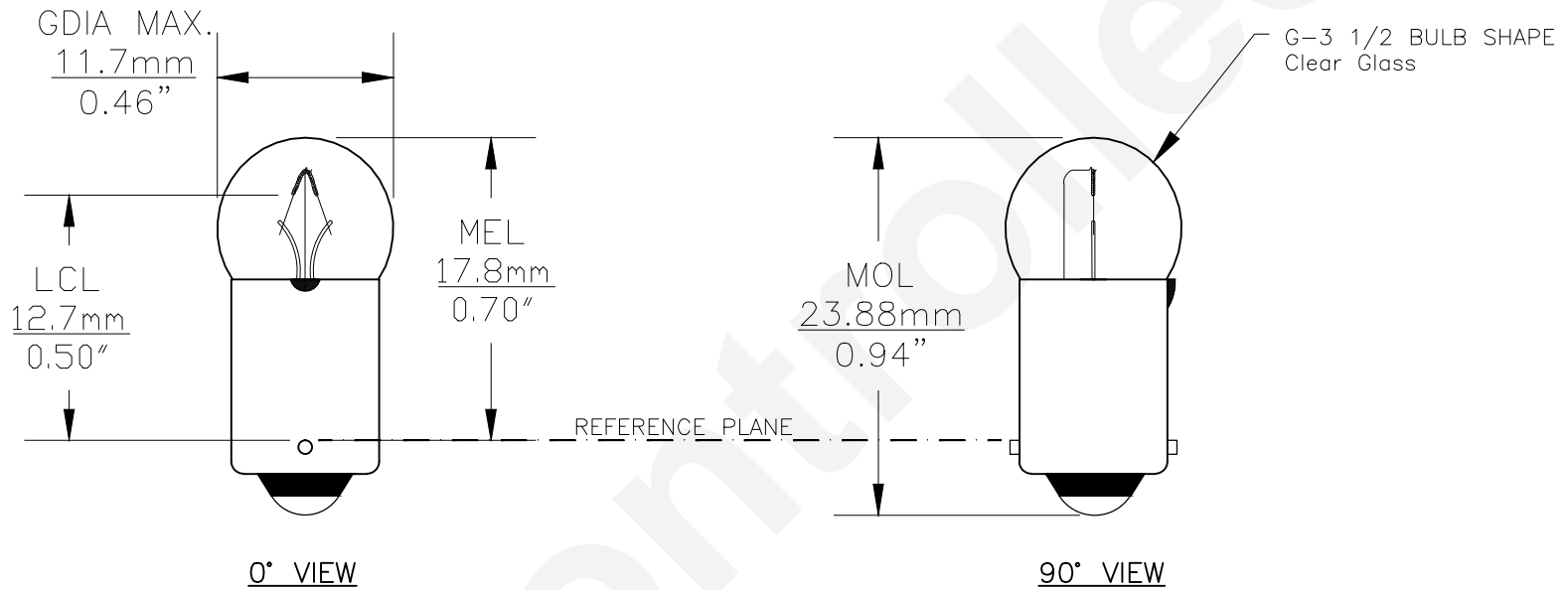




Since 1959

PART NO.	BASE TYPE	DESIGN VOLTS	DESIGN AMPS	MSCD	FILAMENT TYPE	AVERAGE LIFE HOURS	REVISIONS			
							REV #	DESCRIPTION	DATE	APPROVED
53	MINIATURE BAYONET (BA9s)	14.4V	0.12±20%	1.0±20%	C-2V	1000	1	ADDRESS CHANGE	12/19/2005	D.C.



Note: Made according to SAE specifications

UNLESS OTHERWISE SPECIFIED: DIMENSIONS ARE IN INCHES TOLERANCES		CEC INDUSTRIES LTD			
DECIMALS .XX ± .05	ANGULAR .XXX ± .010	599 BOND STREET		LINCOLNSHIRE, IL 60069	
FRACTIONAL ±1/64		TITLE LIGHT BULB NO. 53			
DRAWN ELIZABETH SONANES	DATE 04/13/2001	SIZE A	FSCM NO.	DWG NO. 53	REV 1
DESIGN	SCALE	PLOT SCALE	SHEET 1 OF 1		
MATERIAL	FILE 53.pdf	DRAWING NOT TO SCALE			