

**Materials**

- 1. Insulator: Nylon PA46, black
- 2. Pin: C5191 phosphor bronze, nickel plated
- 3. Shell: C3604 brass, nickel plated
- 4. Terminal: C2680 brass, nickel plated

**Electrical Requirements**

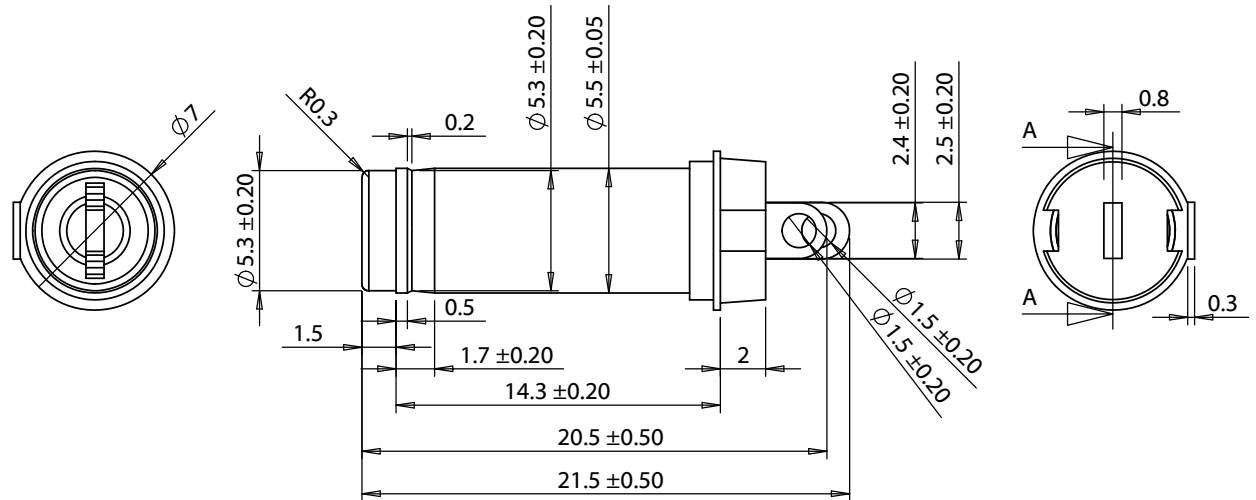
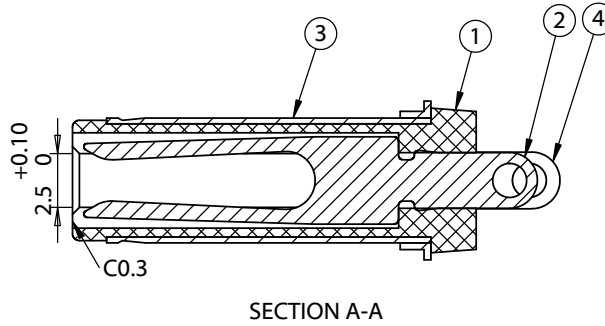
Dielectric strength: 1 min @ 500 Vac  
 Insulation resistance: 100 MΩ @ 500 Vdc  
 Contact resistance: 30 mΩ or less

**Mechanical Requirements**

Insertion force: 0.3-3 kgf  
 Withdrawal force: 0.3-3 kgf  
 Life cycle: 5000 mating cycles while maintaining 0.3-2.0 kgf min. insertion force, 0.2-1.5 kgf min. withdrawal force and less than 100 mΩ contact resistance.

**Environmental Requirements**

Heat test: 70 °C, relative humidity 70-85% for 96 hours while maintaining contact resistance: 100 mΩ or less, insulation resistance: 50 MΩ @ 500 Vdc, without deformation  
 Humidity test: 40 °C, relative humidity 90-100% for 96 hours while maintaining dielectric strength: 1 min @ 500 Vac, insulation resistance: 50 MΩ @ 500 Vdc, contact resistance: 100 mΩ or less  
 Salt spray test: 35±2 °C, relative humidity 90-95%, 5% NaCl mist for 24 hrs. Wash parts after test. Maintain mechanical requirements and a contact resistance of less than 80 mΩ.



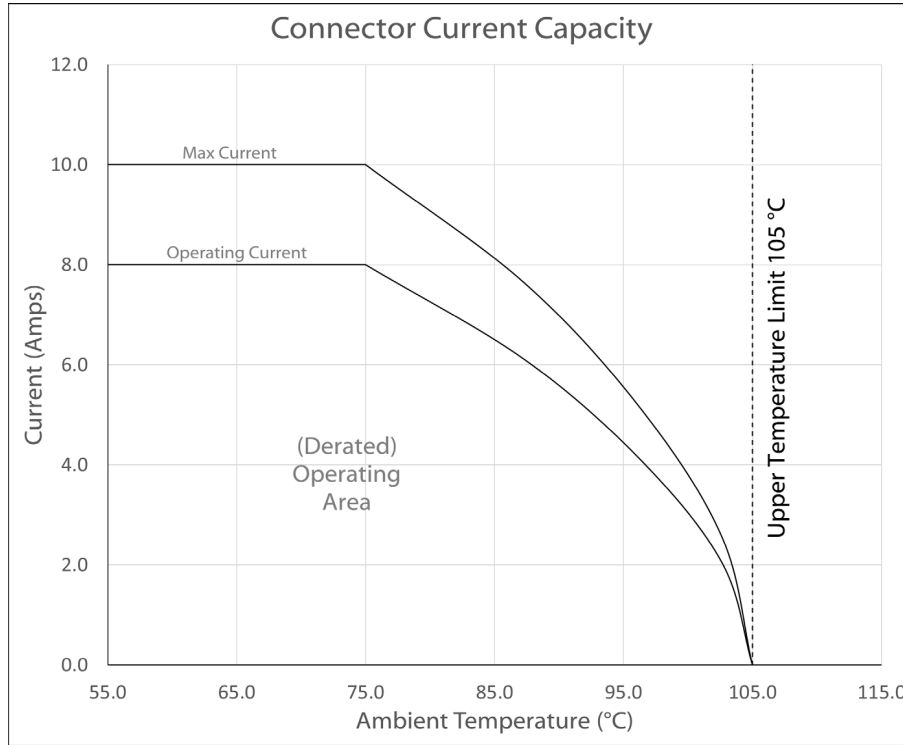
Revision:	Date:	Description:	Prepared:	Notes:	<b>TENSILITY</b>
A	4/17/2019	Initial release	RoHS compliant		
			Verified:	Function test: no open, no short circuit, no intermittent	tel 1.541.323.3228 800 877.670.7118
			Dimensions are in millimeters. Tolerances: X: ± 0.3 mm X.X: ± 0.1 mm X.XX: ± 0.05 mm	Description:	fax 1.541.323.4202 web tensility.com
				Connector, dc plug, 5.5x2.5x21.5 mm, dual solder tabs, spring contacts, nickel plated, 105 °C	Size: Part number:
					A 50-00619
				Scale: 3:1	Sheet 1 of 2

**Ratings**

Maximum Operating Voltage: 48 V  
 Maximum Operating Current: 8.0 A

**Operating Temperature Range**

-40° to 105 °C relative humidity of 85% or less



Testing based on IEC 60512-5-2. Max current curve generated with isolated test article under controlled environmental conditions, and does not take into account external factors such as housings, mating cables, or other circuitry. Operating current curve (derated by 20% of maximum values) accounts for external factors, and manufacturing variation.

Revision:	Date:	Description:	Prepared:	Notes:	<h1>TENSILITY</h1> <p>tel 1.541.323.3228 800 877.670.7118                  fax 1.541.323.4202 web tensility.com</p>
A	4/17/2019	Initial release	Verified:	RoHS compliant Function test: no open, no short circuit, no intermittent	
			Dimensions are in millimeters. Tolerances: X: ± 0.3 mm X.X: ± 0.1 mm X.XX: ± 0.05 mm	Description: Connector, dc plug, 5.5x2.5x21.5 mm, dual solder tabs, spring contacts, nickel plated, 105 °C	Size: A Part number: 50-00619
					Scale: 4:1  Sheet 2 of 2