

## Electronic housing - EG 45-A/PC GN - 2764878

Please be informed that the data shown in this PDF Document is generated from our Online Catalog. Please find the complete data in the user's documentation. Our General Terms of Use for Downloads are valid (<http://phoenixcontact.com/download>)

Housing cover, for connection on both sides



The figure shows a fully mounted version of the electronic housing

### Your advantages

- ✓ Tool-free mounting
- ✓ Date of manufacture and material and part identification embossed on the housing (recyclability)
- ✓ Fast snap-on mounting on symmetrical DIN rails according to EN 60715
- ✓ Practical and easy-to-wire conductor connection using extra finely stranded sturdy screw terminal blocks up to 2.5 mm<sup>2</sup>
- ✓ Optimum accommodation of electronic components with graded pitches with a design width of 22.5 mm, 45 mm, 67.5 mm, and 90 mm
- ✓ Functional and industry-oriented housing technology
- ✓ Shock and contamination-proof accommodation of electronic components (IP40 housing, IP20 terminal blocks)

### Key Commercial Data

Packing unit	10 pc
GTIN	
GTIN	4017918119676

### Technical data

#### General

Housing type	Component housing
Color (RAL)	green

#### Ambient conditions

Ambient temperature (operation)	80 °C
---------------------------------	-------

#### Dimensions

Length	75 mm
Height	17.5 mm

## Electronic housing - EG 45-A/PC GN - 2764878

### Technical data

#### Dimensions

Width	45 mm
Depth	75 mm

#### Technical data

Number of positions	16
---------------------	----

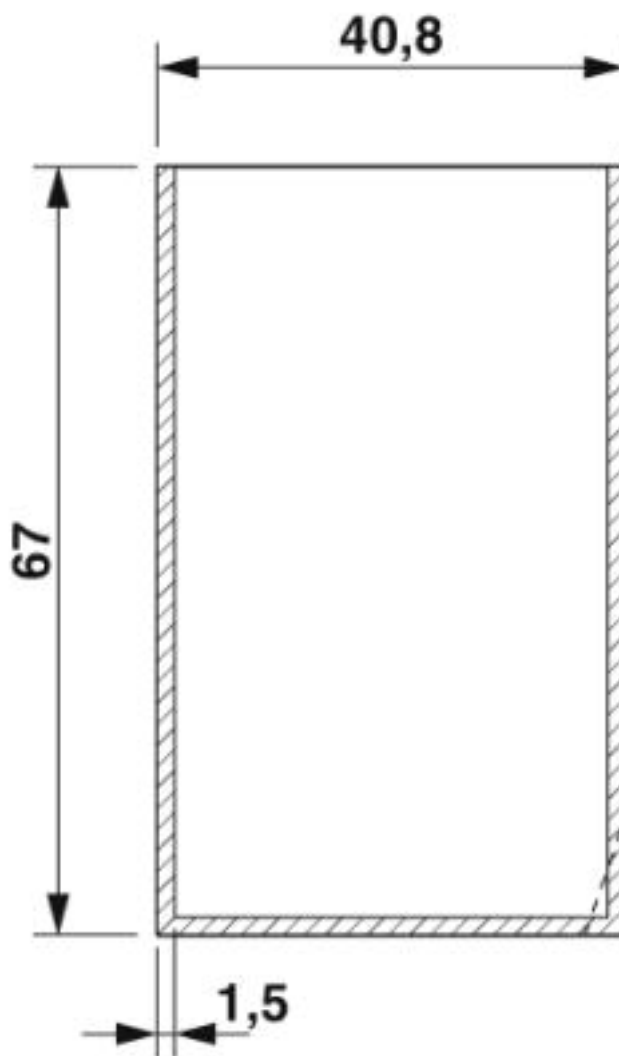
#### Environmental Product Compliance

China RoHS	Environmentally friendly use period: unlimited = EFUP-e
	No hazardous substances above threshold values

### Drawings

## Electronic housing - EG 45-A/PC GN - 2764878

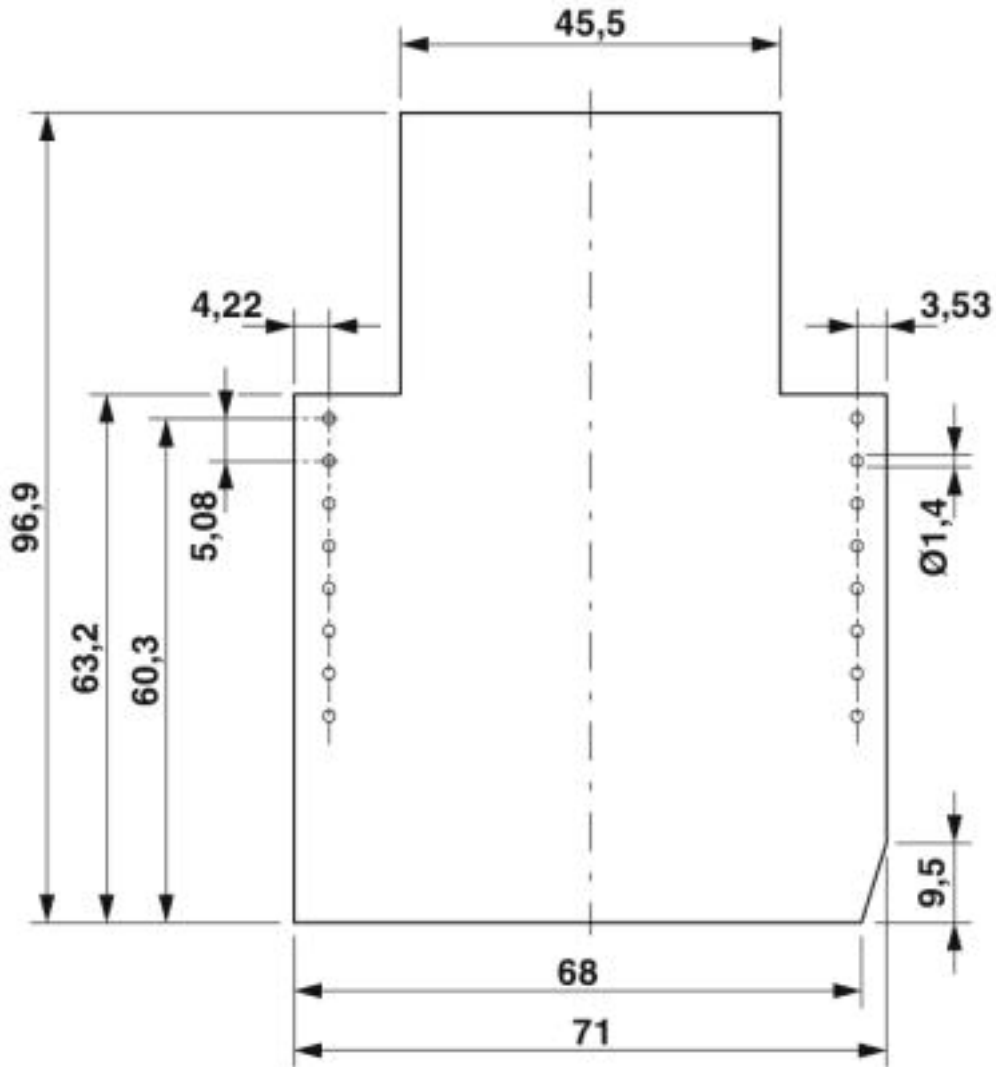
Dimensional drawing



valid for PCB 1; 3; 5 and 6, see explosion drawing

# Electronic housing - EG 45-A/PC GN - 2764878

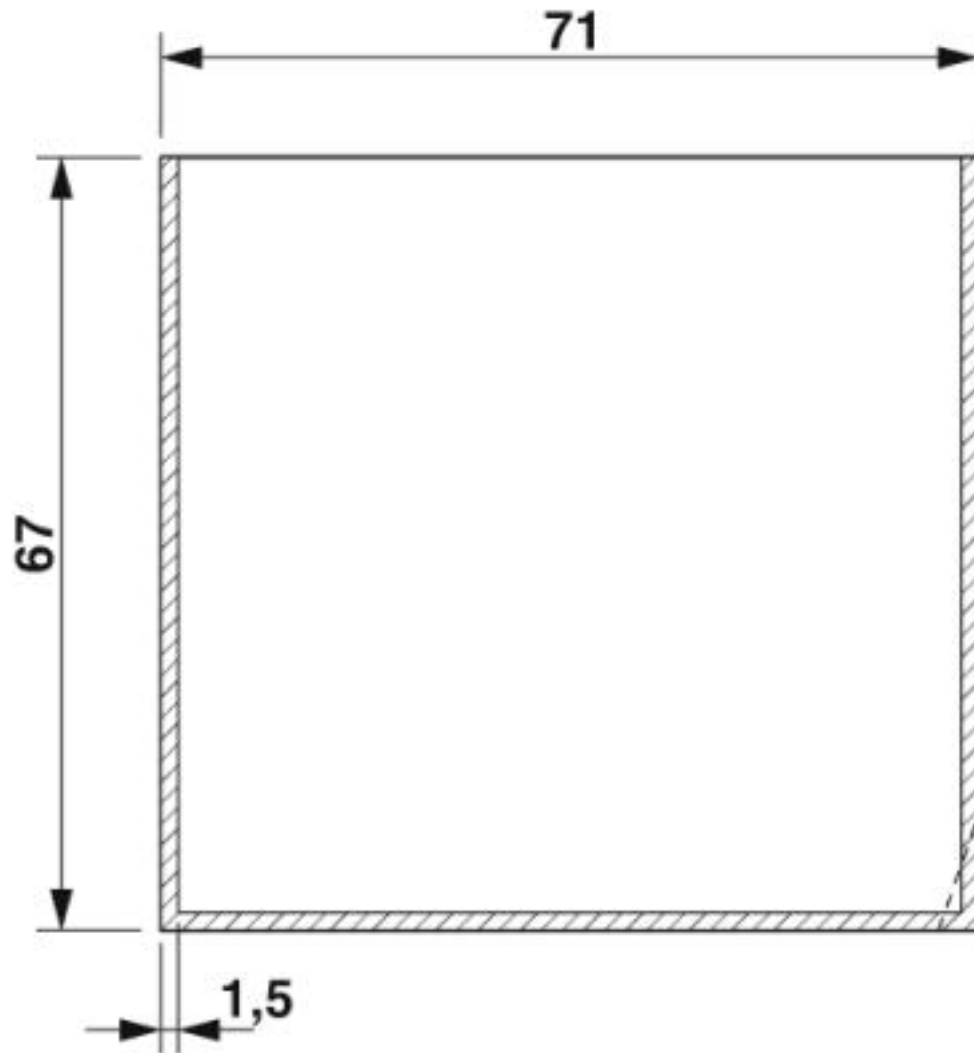
Dimensional drawing



Component mounting side, if the double-level upper part is used

# Electronic housing - EG 45-A/PC GN - 2764878

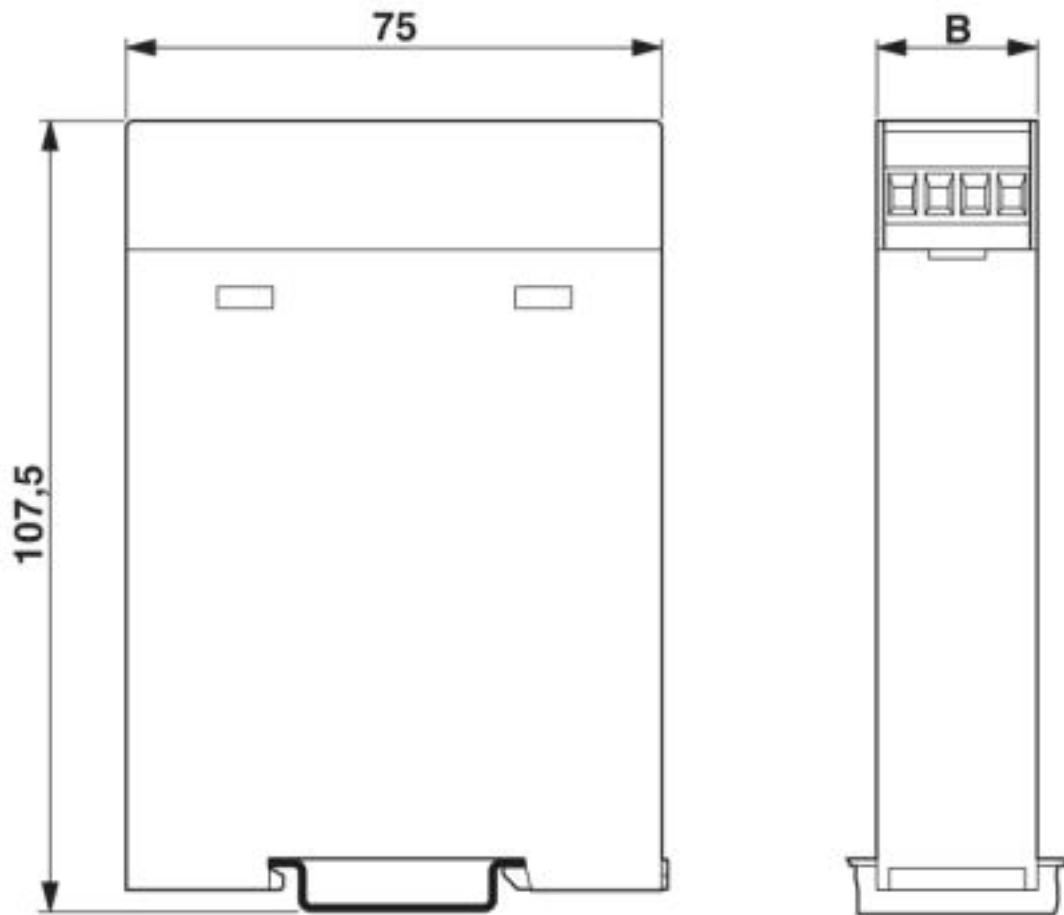
Dimensional drawing



valid for PCB 7 and 12, see explosion drawing

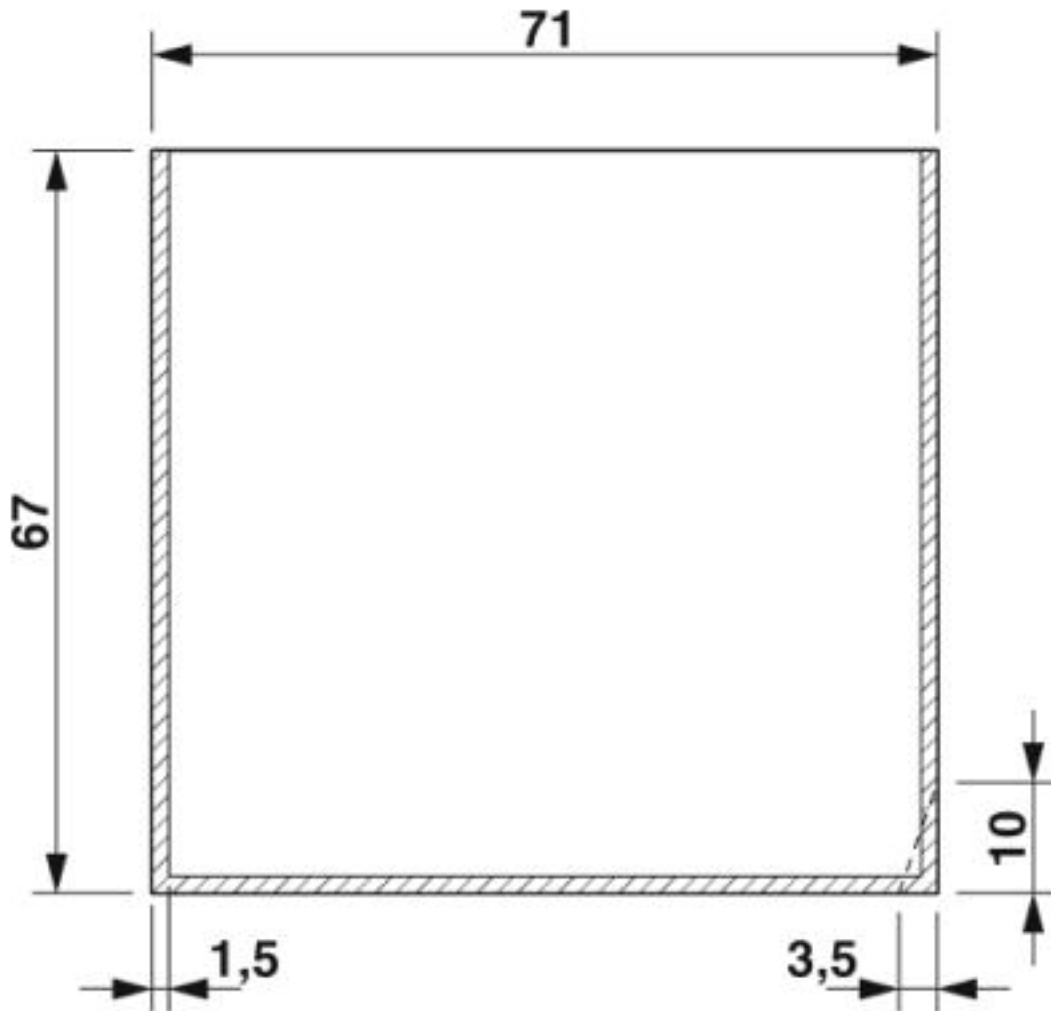
# Electronic housing - EG 45-A/PC GN - 2764878

Dimensional drawing



# Electronic housing - EG 45-A/PC GN - 2764878

Dimensional drawing



valid for PCB 10, see explosion drawing

## Approvals

Approvals

---

Approvals

UL Recognized / EAC

---


Ex Approvals


---

Approval details

## Electronic housing - EG 45-A/PC GN - 2764878

### Approvals

UL Recognized		<a href="http://database.ul.com/cgi-bin/XYV/template/LISEXT/1FRAME/index.htm">http://database.ul.com/cgi-bin/XYV/template/LISEXT/1FRAME/index.htm</a>	FILE E 240868
---------------	---	---	---------------

EAC			B.01742
-----	---	--	---------

Phoenix Contact 2019 © - all rights reserved  
<http://www.phoenixcontact.com>

PHOENIX CONTACT GmbH & Co. KG  
Flachmarktstr. 8  
32825 Blomberg  
Germany  
Tel. +49 5235 300  
Fax +49 5235 3 41200  
<http://www.phoenixcontact.com>