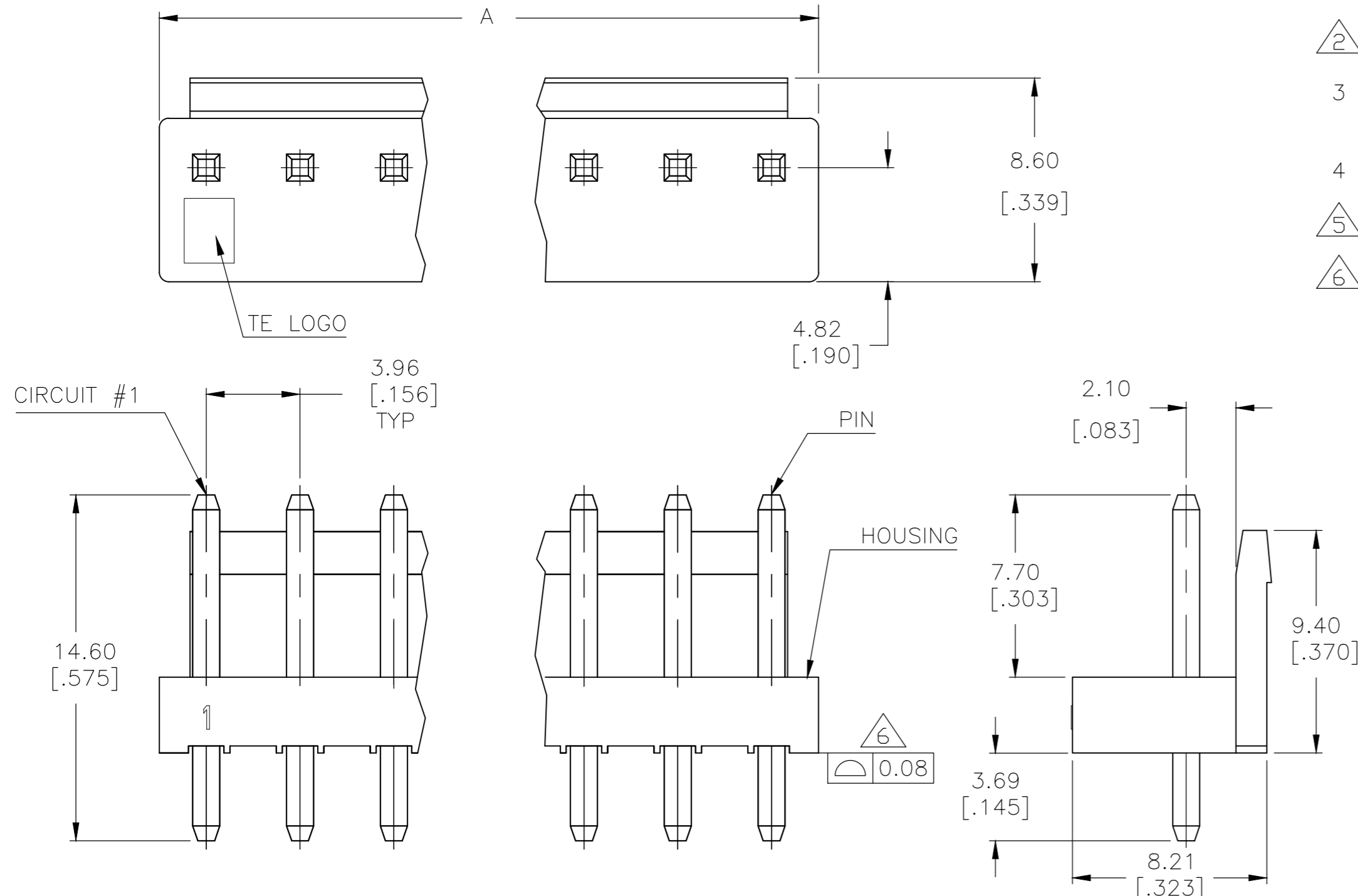
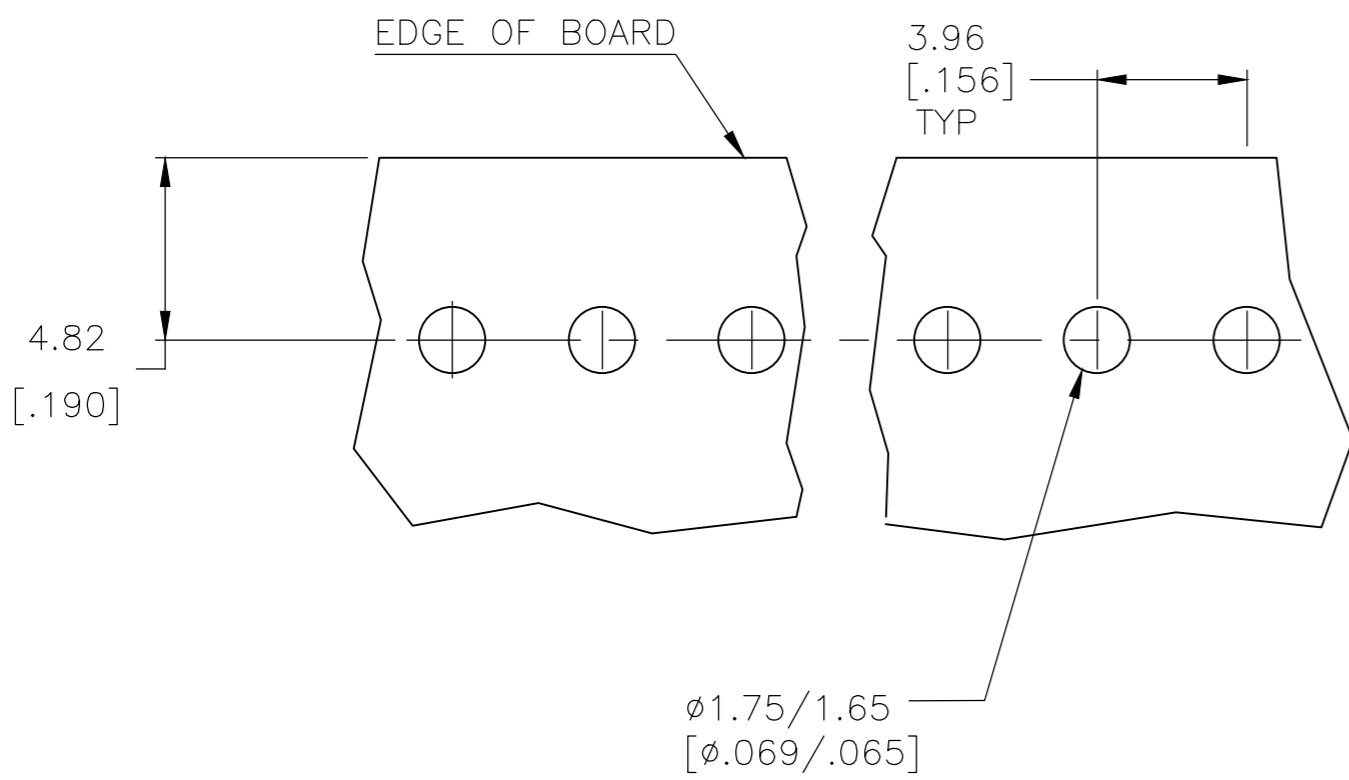


REVISIONS				
P	LTR	DESCRIPTION	DATE	APVD
D1		REVISED PER ECR-20-100406	16SEP2020	WH DZ

- 1 HOUSING MATERIAL: NYLON, UL94 V0.  
PIN MATERIAL: BRASS.
- 2 PIN PLATING: 0.003 [.000120] MIN TIN OVER 0.001 [.000039] NICKEL.
- 3 COMPLY WITH GLOW WIRE REQUIREMENTS FOR PARTS OF NON-METALLIC MATERIAL SUPPORTING A CURRENT-CARRYING CONNECTION DETAILED IN IEC 60335-1, SECTION 30 (GWT).
- 4 SKETCHES SHOW NO PINS MISSING.
- 5 "O" WITH POST, "X" WITHOUT POST
- 6 PRODUCT BOW SHOULD MEET 0~0.08MM(INITIAL) AND 0~0.20MM(AFTER SOLDERABILITY)



O	X	O	X	O	O	O	O									8	31.68 [1.247]	1-1744524-8	
O	X	O	O	O	O	O	O	O									9	35.64 [1.403]	4-1744524-9
O	O	O	O	O	O	X	O	O	O								9	35.64 [1.403]	3-1744524-9
O	X	O	O	O	O	O	O	O	O	O							11	43.56 [1.715]	2-1744524-1
O	X	X	O														4	15.84 [0.624]	2-1744524-4
O	O	X	O														4	15.84 [0.624]	1-1744524-4
O	O	X	O	O	X	O	O										8	31.68 [1.247]	1744524-8
O	O	X	O	O													5	19.80 [0.780]	4-1744524-5
O	X	O	X	O	O	X	O	O									9	35.64 [1.403]	2-1744524-9
O	O	O	X	O													5	19.80 [0.780]	3-1744524-5
O	X	X	X	O													5	19.80 [0.780]	2-1744524-5
O	X	O	X	X	O												6	23.76 [0.935]	1-1744524-6
O	O	X	X	O													5	19.80 [0.780]	1-1744524-5
O	O	O	X	O	X	O											7	27.72 [1.091]	7-1744524-7
O	X	O															3	11.88 [0.468]	4-1744524-3
O	X	O	X	O	X	O	X	O									9	35.64 [1.403]	1-1744524-9
O	X	O	X	O	X	O											7	27.72 [1.091]	8-1744524-7
O	X	O	X	O	X												6	23.76 [0.935]	8-1744524-6
O	X	O	X	O	O												6	23.76 [0.935]	7-1744524-6
O	O	X	O	X	O												6	23.76 [0.935]	6-1744524-6
O	O	O	O	X	O												6	23.76 [0.935]	4-1744524-6
O	X	O	O	O	O												6	23.76 [0.935]	2-1744524-6
O	O	O	O	O	O	X	O	O									9	35.64 [1.403]	1744524-9
O	X	O	O	O	O	O											7	27.72 [1.091]	1744524-7
O	O	O	X	O	O												6	23.76 [0.935]	1744524-6
O	X	O	X	O													5	19.80 [0.780]	1744524-5
O	X	O	O														4	15.84 [0.624]	1744524-4
1	2	3	4	5	6	7	8	9	10	11	12						NO. OF POSITIONS	±0.30 [.012] DIM A	PART NUMBER



THIS DRAWING IS A CONTROLLED DOCUMENT.

DIMENSIONS: mm [INCHES]	TOLERANCES UNLESS OTHERWISE SPECIFIED: 0 PLC ± - 1 PLC ± 0.5[.02] 2 PLC ± 0.30[.012] 3 PLC ± - 4 PLC ± - ANGLES ± -	DWN JR RUTH 20MAR13 CHK TOM MICHIELUTTI 20MAR13 APVD TOM MICHIELUTTI 20MAR13	TE Connectivity
MATERIAL	FINISH	PRODUCT SPEC 108-5609 APPLICATION SPEC 114-32134	NAME HEADER ASSEMBLY-ECONOMY POWER VERTICAL
		WEIGHT -	SIZE A2 CAGE CODE 00779 DRAWING NO. C=1744524
		CUSTOMER DRAWING	RESTRICTED TO -

SCALE N/A SHEET 1 OF 1 REV D1