


# D-SUB contact support - VS-09-ST-DSUB-2P - 1688418

Please be informed that the data shown in this PDF Document is generated from our Online Catalog. Please find the complete data in the user's documentation. Our General Terms of Use for Downloads are valid (<http://phoenixcontact.com/download>)

D-SUB contact carrier, shell size 1, accommodation for two combined contacts, type of contact pin, straight, fixing with a 3 mm hole, for panel mounting frame and sleeve housing VS-09-...



## Key Commercial Data

Packing unit	10 pc
GTIN	 4 017918 818340
GTIN	4017918818340

## Technical data

### Mechanical characteristics

Number of positions	2
Insertion/withdrawal cycles	≥ 500
Connection method	Fitting to accept combined contact
Mounting type	Hole
Type	09
Size of housing	1
Type of note	Order information:
Note	The contacts must be ordered separately since they are not included in the scope of supply of the contact carriers. Both one male and one female contact must be mounted in the contact carrier.

### Ambient conditions

Ambient temperature (operation)	-55 °C ... 125 °C
---------------------------------	-------------------

### Material data

Flammability rating according to UL 94	V0
Housing material	Steel, yellow chromated
Contact carrier material	PBTP
Contact surface material	Gold over nickel

## D-SUB contact support - VS-09-ST-DSUB-2P - 1688418

### Technical data

#### Material data

Height	12.93 mm
--------	----------

#### Electrical characteristics

Number of positions	2
---------------------	---

#### Standards and Regulations

Flammability rating according to UL 94	V0
--	----

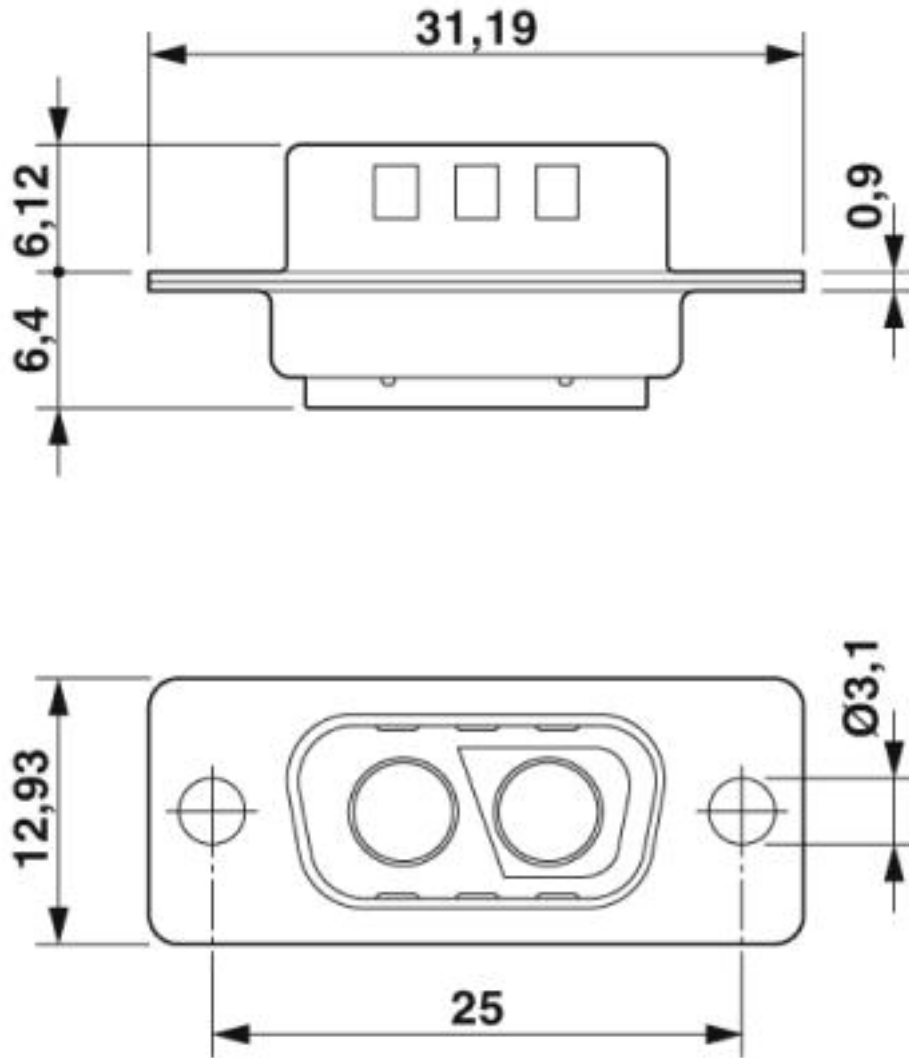
#### Environmental Product Compliance

China RoHS	Environmentally friendly use period: unlimited = EFUP-e
	No hazardous substances above threshold values

### Drawings

# D-SUB contact support - VS-09-ST-DSUB-2P - 1688418

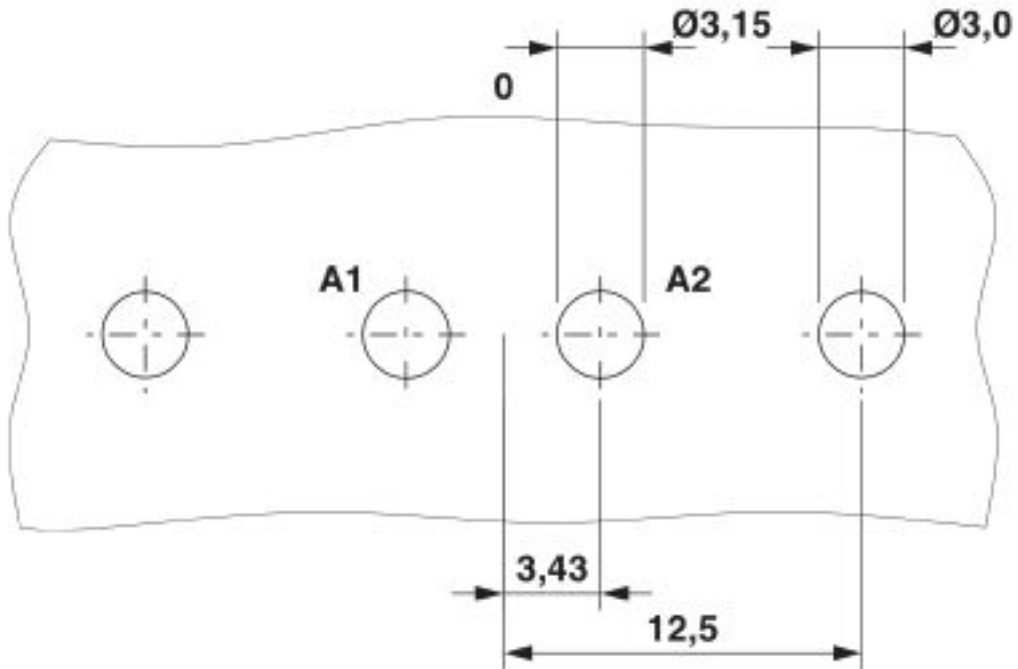
Dimensional drawing



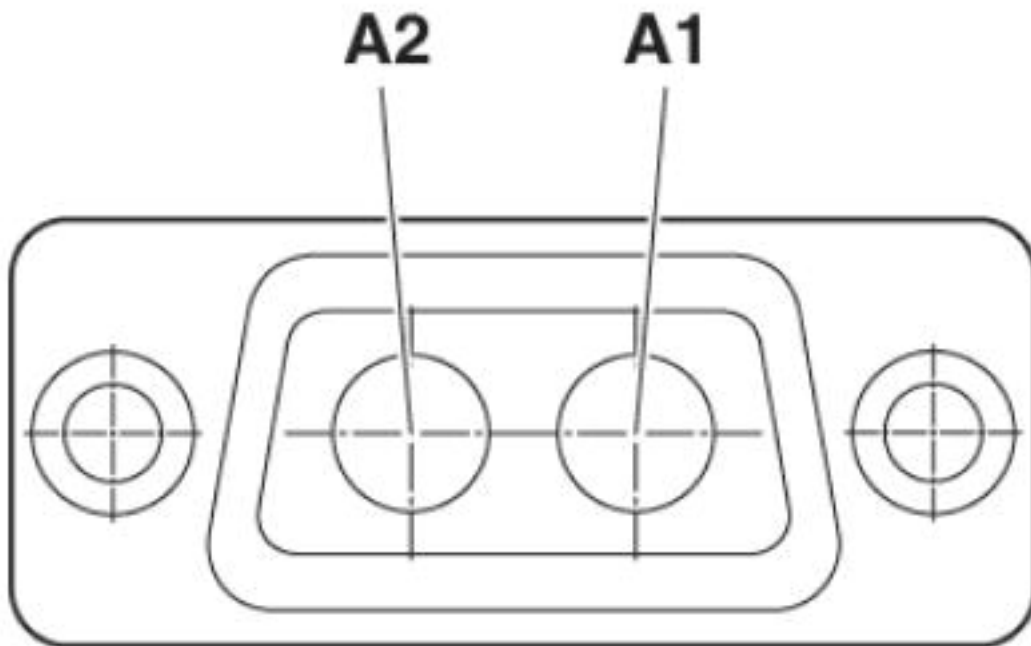
D-SUB contact carrier

# D-SUB contact support - VS-09-ST-DSUB-2P - 1688418

Drilling diagram



Schematic diagram



## D-SUB contact support - VS-09-ST-DSUB-2P - 1688418

### Approvals

#### Approvals

---

#### Approvals


UL Recognized / EAC


---

#### Ex Approvals

---

### Approval details

UL Recognized		<a href="http://database.ul.com/cgi-bin/XYV/template/LISEXT/1FRAME/index.htm">http://database.ul.com/cgi-bin/XYV/template/LISEXT/1FRAME/index.htm</a>	FILE E 118976
---------------	---	---	---------------

EAC			B.01742
-----	--	--	---------

---

Phoenix Contact 2019 © - all rights reserved  
<http://www.phoenixcontact.com>

PHOENIX CONTACT GmbH & Co. KG  
Flachsmarktstr. 8  
32825 Blomberg  
Germany  
Tel. +49 5235 300  
Fax +49 5235 3 41200  
<http://www.phoenixcontact.com>