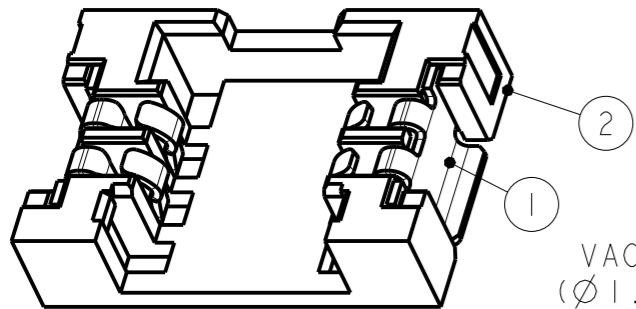
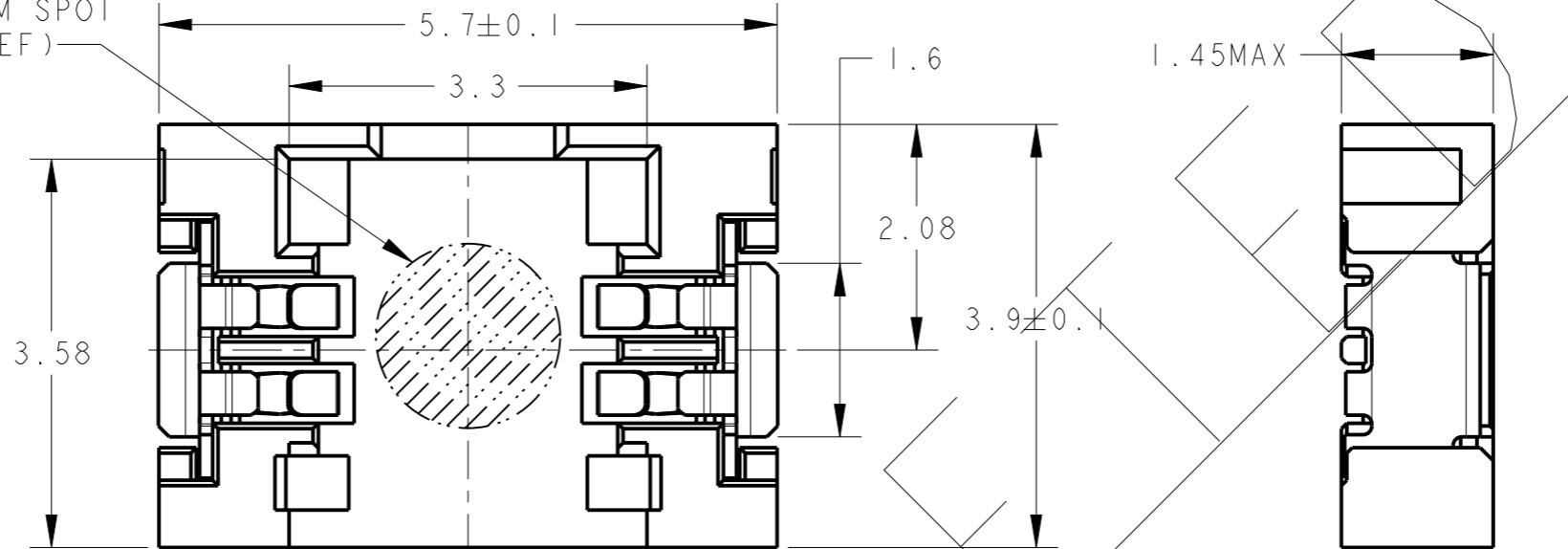


LOC	DIST	REVISIONS			
P	LTR	DESCRIPTION	DATE	DWN	APVD
J	-	E2	REVISED	28NOV06	C.O Y.N
		E3	ECR-19-008544	21AUG20	T.Q W.H



SCALE 10:1

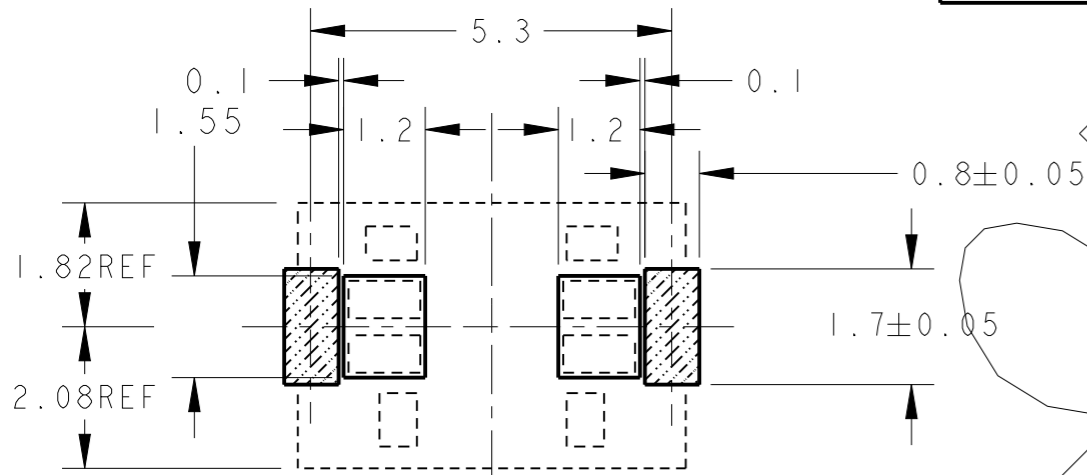
VACUUM SPOT  
(Ø 1.7 REF)



-1: □□  
-1: AS SHOWN

① FINISH ALL SURFACE; 1.3µm MINIMUM Ni UNDER PLATING  
CONTACT AREA; 0.3µm MINIMUM Au PLATING  
SOLDERING AREA; 0.05µm 0.2µm Au PLATING

CABLE SIDE ↑



APPLICABLE WIRE GAGE: AWG32

NAME	MATERIAL	DESCRIPTION	ITEM
HOUSING	THERMO PLASTICS	BOARD CONN.	②
CONTACT	PBR, Ni-UNDER PLATING, Au FINISH		①

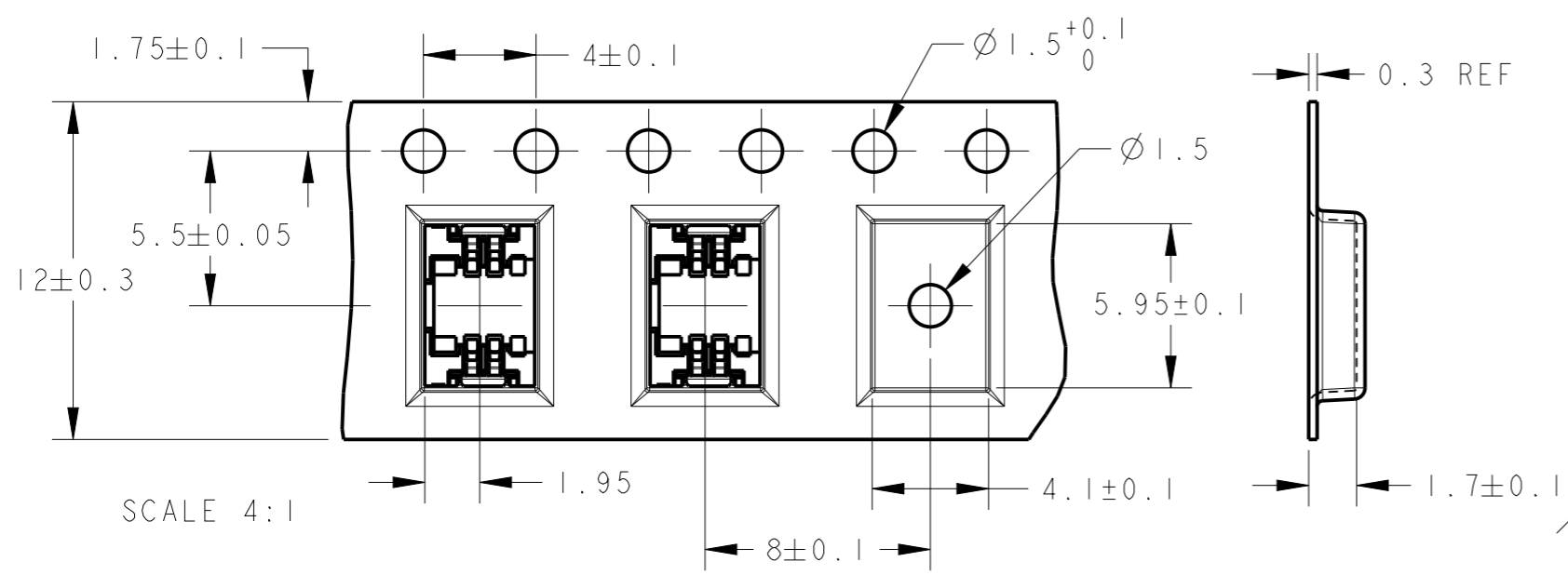
THIS DRAWING AND INFORMATION ARE OWNED BY TYCO ELECTRONICS AMP K.K. AND PROHIBITED FROM BEING COPIED AND DISTRIBUTED WITHOUT NOTICE.

<small>THIS DRAWING IS A CONTROLLED DOCUMENT FOR TYCO ELECTRONICS CORPORATION IT IS SUBJECT TO CHANGE AND THE CONTROLLING ENGINEERING ORGANIZATION SHOULD BE CONTACTED FOR THE LATEST REVISION.</small>		DWN K. TANAKA 08AUG2002 CHK K. KODAIRA 08AUG2002 APVD K. KODAIRA 08AUG2002	<b>tyco</b> <b>Electronics</b> Tyco Electronics AMP K.K. Kawasaki, Japan
DIMENSIONS: mm 	TOLERANCES UNLESS OTHERWISE SPECIFIED: 0 PLC ±0.2 1 PLC ±0.2 2 PLC ±0.2 3 PLC ±0.2 4 PLC ±0.2 ANGLES ±2	PRODUCT SPEC 108-5822 APPLICATION SPEC 114-5357 WEIGHT -	NAME SLP CONNECTOR 2POS 0.8mm PITCH BOARD CONNECTOR SIZE A3 CAGE CODE 00779 DRAWING NO C-1612534 RESTRICTED TO -
MATERIAL -	FINISH -	CUSTOMER DRAWING	SCALE NTS SHEET 1 OF 2 REV E3

THIS DRAWING IS UNPUBLISHED. RELEASED FOR PUBLICATION 20  
 © COPYRIGHT 20 BY TYCO ELECTRONICS CORPORATION. ALL RIGHTS RESERVED.

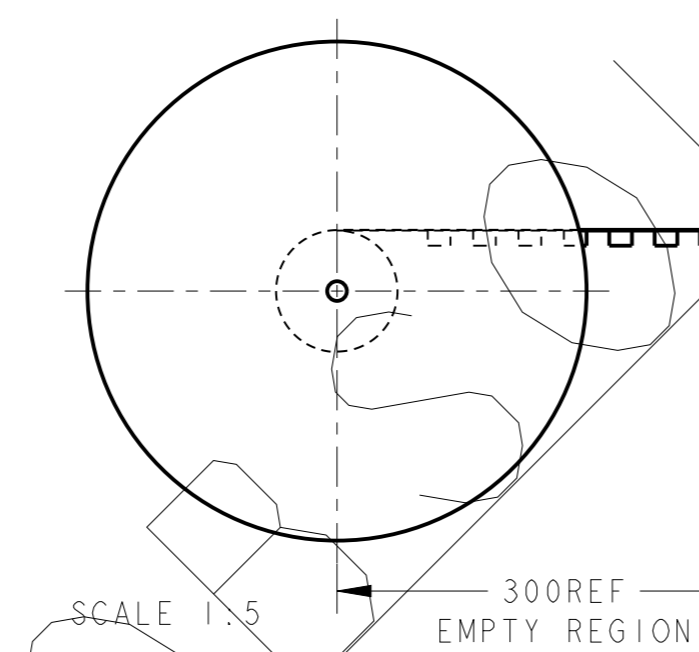
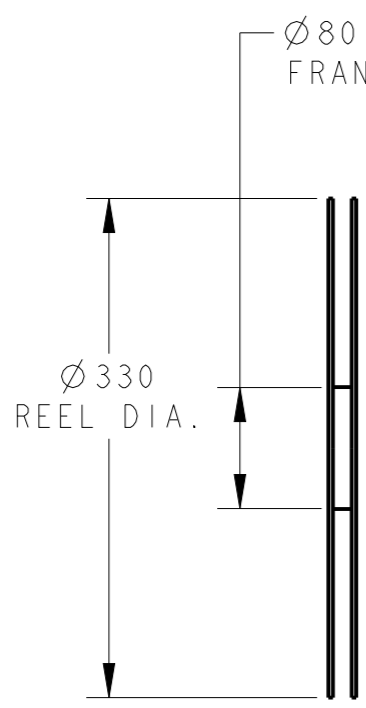
LOC	DIST	REVISIONS			
P	LTR	DESCRIPTION	DATE	DWN	APVD
J	-	SEE SHEET 1	-	-	-

THIS DRAWING AND INFORMATION ARE OWNED BY TYCO ELECTRONICS AMP K.K. AND PROHIBITED FROM BEING COPIED AND DISTRIBUTED WITHOUT NOTICE.



SCALE 4:1

300 REF  
 PEELING THE COVER TAPE  
 (INCLUDING EMPTY POCKET)



PEELING ANGLE: 165°~180°  
 PEELING FORCE: 0.1~0.7N(300mm/min)

250  
 EMPTY REGION  
 MORE THAN 20 HOLES

350 FILLED WITH PRODUCTS  
 3000EA

<small>THIS DRAWING IS A CONTROLLED DOCUMENT FOR TYCO ELECTRONICS CORPORATION          IT IS SUBJECT TO CHANGE AND THE CONTROLLING ENGINEERING ORGANIZATION          SHOULD BE CONTACTED FOR THE LATEST REVISION.</small>		<b>tyco</b> <b>Electronics</b>		Tyco Electronics AMP K.K. Kawasaki, Japan	
DIMENSIONS: mm		TOLERANCES UNLESS OTHERWISE SPECIFIED: 0 PLC ±0.2 1 PLC ±0.2 2 PLC ±0.2 3 PLC ±0.2 4 PLC ±0.2 ANGLES ±2		NAME SLP CONNECTOR 2POS 0.8mm PITCH BOARD CONNECTOR	
MATERIAL -		FINISH -		SIZE A3 CAGE CODE 00779 DRAWING NO G-1612534 RESTRICTED TO -	
CUSTOMER DRAWING		SCALE NTS		SHEET 2 OF 2 REV E3	